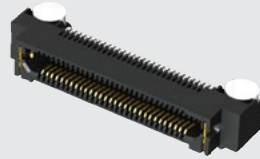
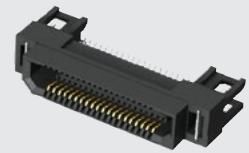




ERF8-030-01-L-D-RA-L-TR



ERF8-020-01-L-D-EM2-TR



**EDGE
RATE**
SYSTEM

(0.80 mm) .0315"

ERF8-RA, ERF8-EM SERIES

RUGGED EDGE RATE® STRIPS

ERF8-RA / ERF8-EM

Board Mates:

ERM8

ERF8-RA Cable Mates:

ERCD, ERDP

SPECIFICATIONS

For complete specifications and recommended PCB layouts see www.samtec.com?ERF8-RA or www.samtec.com?ERF8-EM

Insulator Material:

Black LCP

Contact Material:

BeCu

Plating:

Au or Sn over

50 μ" (1.27 μm) Ni

Current Rating:

2.2 A per pin

(2 pins powered)

Operating Temp Range:

-55 °C to +125 °C

Voltage Rating:

225 VAC / 318 VDC

RoHS Compliant:

Yes

PROCESSING

Lead-Free Solderable:

Yes

SMT Lead Coplanarity

(ERF8-RA):

(0.10 mm) .004" max (010-050)

(0.15 mm) .006" max (060-075)

SMT Lead Coplanarity

(ERF8-EM):

(0.10 mm) .004" max (005-030)

(0.12 mm) .005" max (040-075)*

*(.004" stencil solution

may be available; contact

IPG@samtec.com)

RECOGNITIONS

For complete scope of

recognitions see

www.samtec.com/quality



FILE NO. E111594

ALSO AVAILABLE

(MOQ Required)

- Other Positions
- Solder leads & weld tab for (2.36 mm) .093" thick board
- Solder leads & weld tab for (2.36 mm) .093" thick PCB (ERF8-RA only)
- Other platings

Notes:

Patented

Some lengths, styles and options are non-standard, non-returnable.



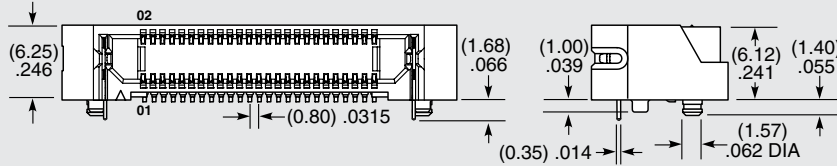
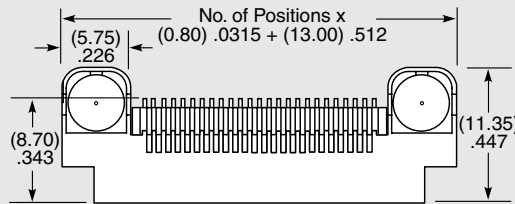
-010, -013, -020,
-025, -030, -040, -049,
-050, -060, -070, -075

-L
= 10 μ" (0.25 μm)
Gold on contact,
Matte Tin on tail

-L
= Latching
(N/A with -EGP option)

-EGP
= Extended Guide Post
(N/A with -L option)

-TR
= Tape & Reel



HIGH-SPEED CHANNEL PERFORMANCE

ERF8-RA/ERM8-RA

Rating based on Samtec reference channel.
For full SI performance data visit Samtec.com
or contact SIG@samtec.com

28
G b p s

RUGGEDIZED
BY SAMTEC

- Edge Rate® contacts
- Latching option
- Extended guide post option
- PCB mounting pins



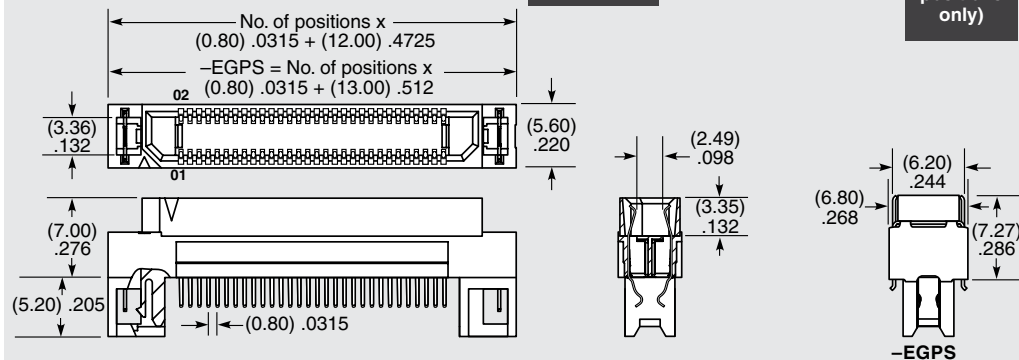
-005, -010, -013, -020,
-025, -030, -040, -049,
-050, -060, -070, -075

-L
= 10 μ" (0.25 μm)
Gold on contact,
Matte Tin on tail

-EM2
= (1.60 mm) .062"
Thick PCB

-EGPS
= Extended Guide Post
Shield
(-010, -020,
-025, -030
positions
only)

-TR
= Tape & Reel



Due to technical progress, all designs, specifications and components are subject to change without notice.

WWW.SAMTEC.COM

All parts within this catalog are built to Samtec's specifications.
Customer specific requirements must be approved by Samtec and identified in a Samtec customer-specific drawing to apply.