



## (5.00 mm) .1969" PITCH • 30 A CABLE ASSEMBLY/COMPONENTS

MPSS	NO. OF POSITIONS	WIRE GAUGE	PLATING OPTION	ASSEMBLED LENGTH	END 1 OPTION	END 2 OPTION
------	------------------	------------	----------------	------------------	--------------	--------------

-02, -03,  
-04, -06, -08

-14  
-16

-L  
= 10 μ" (0.25 μm)  
Gold on contact  
  
-T  
= Matte Tin

-"XX.XX"  
= Wire length in  
inches (83.00 mm)  
03.25" min.

-SR  
= Single End  
  
-DR  
= Double End

(Available with -DR only)

-NUS  
= Notch up, straight  
  
-NDS  
= Notch down, straight

### MPSS

Board Mates:

MPT

### SPECIFICATIONS

**Insulator Material:**

Nylon 6/6

**Contact Material:**

Copper Alloy

**Plating:**

Au or Sn over

50 μ" (1.27 μm) Ni

**Latch:**

Nylon 6/6

**Operating Temp Range:**

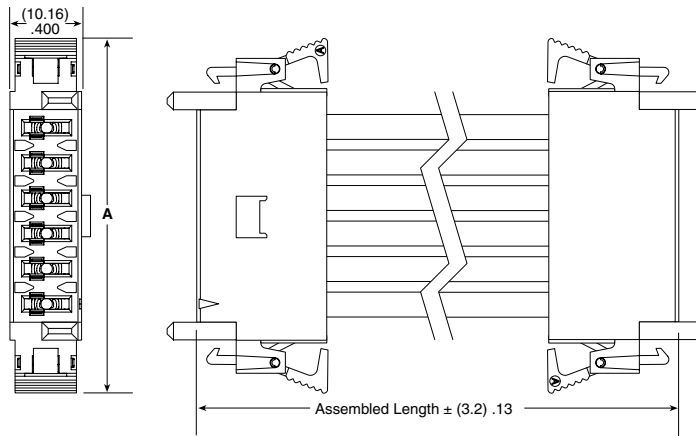
-30 °C to +105 °C

**Voltage Rating:**

350 VAC/495 VDC

**Wire:**

14 or 16 AWG



NO. OF POSITIONS	A
-02	(30.07) 1.184
-03	(35.07) 1.381
-04	(40.08) 1.578
-06	(50.09) 1.972
-08	(60.10) 2.366

MPSS/MPT-V	
WIRE GAUGE	CURRENT RATING (PER PIN)
14 AWG	19.7 A
16 AWG	15.9 A
1 PIN POWERED	

View complete specifications at: [samtec.com?MPSS](http://samtec.com?MPSS)

IMS5	POSITIONS PER ROW	02	SERIES	WIRE GAUGE	01	PLATING OPTION
------	-------------------	----	--------	------------	----	----------------

-02, -03, -04, -06, -08

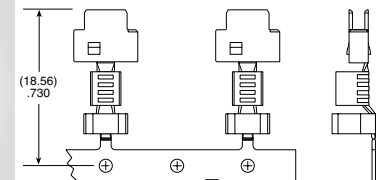
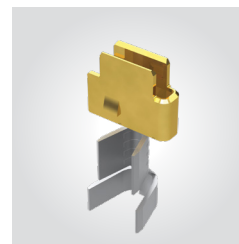
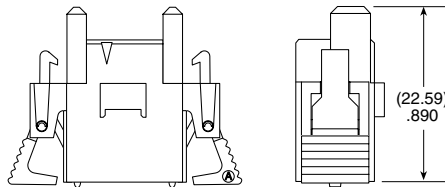
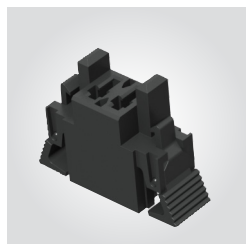
CC46L  
= Contact, Loose

-1416  
= 14 to 16 AWG

-L  
= 10 μ"  
(0.25 μm)  
Gold on contact

CC46R  
= Contact,  
Full Reel

-T  
= Matte Tin



### TOOLING

Hand Tool: CAT-HT-246-1416-14 (14-16 AWG)

Mini Applicator: CAT-MC-246-1416-XX-02 (14-16 AWG)

Extraction Tool: CAT-EX-MPSS-01

**Note:**

Some lengths, styles and options are non-standard, non-returnable

View complete specifications at: [samtec.com?IMS5](http://samtec.com?IMS5), [samtec.com?CC46L](http://samtec.com?CC46L) & [samtec.com?CC46R](http://samtec.com?CC46R)