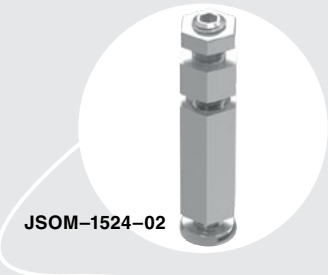




JSOM-1524-02



JSOM-1524-02

JSOM SERIES

MICRO JACK SCREW STANDOFF

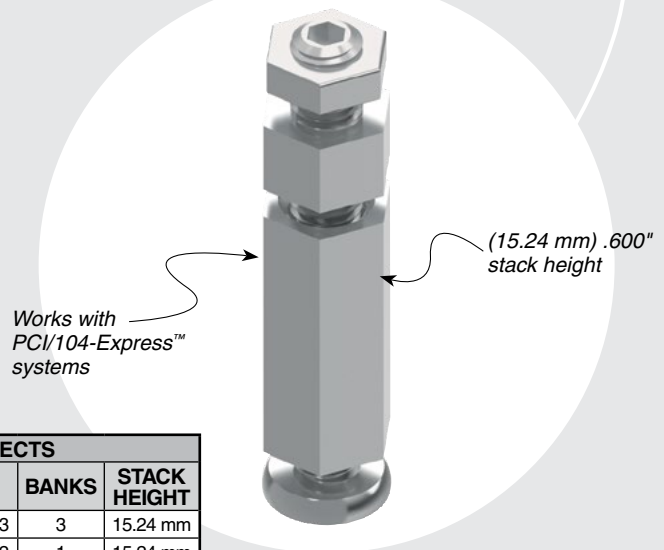
SPECIFICATIONS

For complete specifications and recommended PCB layouts see www.samtec.com?JSOM

Material:
Stainless Steel

ALSO AVAILABLE
(MOQ Required)

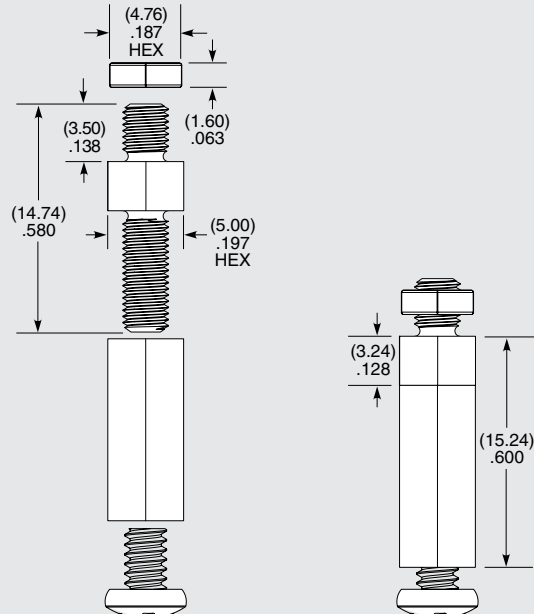
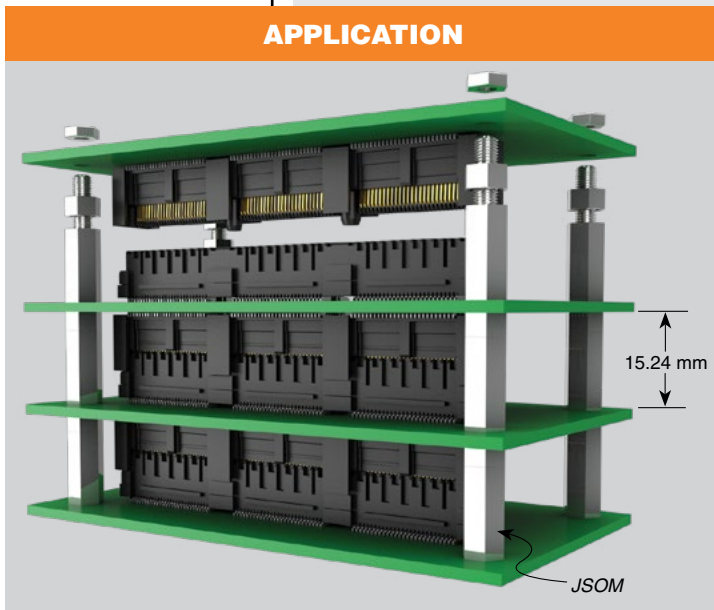
- Other heights



INDUSTRY STANDARD	INTERCONNECTS			
	TERMINAL	SOCKET	BANKS	STACK HEIGHT
PCI/104-Express™	ASP-129637-03	ASP-129646-03	3	15.24 mm
PCI/104-Express™	ASP-129637-13	ASP-129646-22	1	15.24 mm
SUMIT™	ASP-129637-01	ASP-129646-01	1	15.24 mm

JSOM	BOARD STACKER	LEAD STYLE
	-1524 = (15.24 mm) .600" Stack Height	-02 = Female Thread

APPLICATION



Components are to be packaged in separate bags unassembled.