

SEARAY™

HIGH-SPEED, HIGH-DENSITY CABLE ASSEMBLY

(1.27 mm) .050" PITCH



14
Gbps

FEATURES & BENEFITS

- 14 Gbps performance
- Up to 240 I/Os (1/2 of pins are dedicated to ground)
- 4, 6, 8 and 10 row designs
- Choice of Eye Speed® 36 AWG 50 Ω micro coax or 32 AWG 100 Ω twinax cable
- Positive latching when mated to SEAFc with latching post option
- Supports PCIe® 2.0 and 3.0 protocols



Guide post latching available for more rugged applications



Vertical board level mate (SEAFc); samtec.com?seafc



Eye Speed® cable for excellent signal integrity performance

KEY SPECIFICATIONS (SEAC)

CABLE	INSULATOR MATERIAL	CONTACT MATERIAL	PLATING	OPERATING TEMP RANGE	CURRENT RATING	VOLTAGE RATING
36 AWG 50 Ω micro coax or 32 AWG 100 Ω twinax cable	Black LCP	Copper Alloy	Au or Sn over 50 μ" (1.27 μm) Ni	-40 °C to +125 °C (coax) -25 °C to +105 °C (twinax)	0.4 A Specified Cable Rating	120 VAC

(1.27 mm) .050" PITCH • HIGH DENSITY CABLE

SEAC	NO. OF POSITIONS PER ROW	NO. OF ROWS	CABLE LENGTH	TU	TU	CABLE TYPE	LATCH OPTION
	-020 (-04, -06, -08 & -10 row only)	-04, -06, -08, -10	-"XX.X" = Cable Length in Inches (101.6 mm) 04.0" minimum			Leave Blank for 36 AWG 50 Ω coax	Leave Blank for latch post
	-030 (-04, -06 & -08 row only)						-N = No Latch
	-040 (-04 & -06 row only)						
	-050 (-04 row only)					-2 = 32 AWG 100 Ω twinax	

SEAC
Mates:
SEAF8



SIGNAL ROUTING

Product has some lines dedicated to ground. For single-ended and differential pair signal/ground assignments see signal routing information on the assembly print at www.samtec.com?seac Design your High-Speed Cable with Samtec's High-Speed Cable Solutionator[®] at www.samtec.com/cablebuilder

OTHER SOLUTIONS

Other end options
Mixed SEAC end types
300 positions or greater

Notes:
Mixed latch styles not available

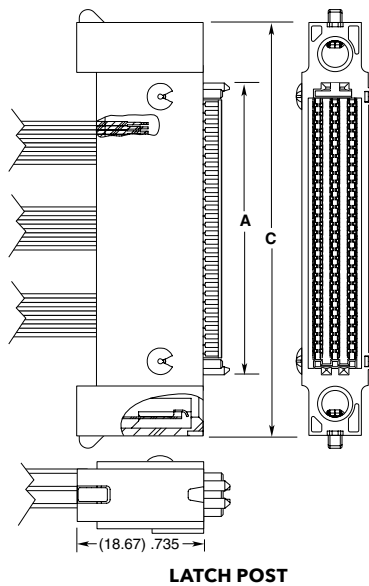
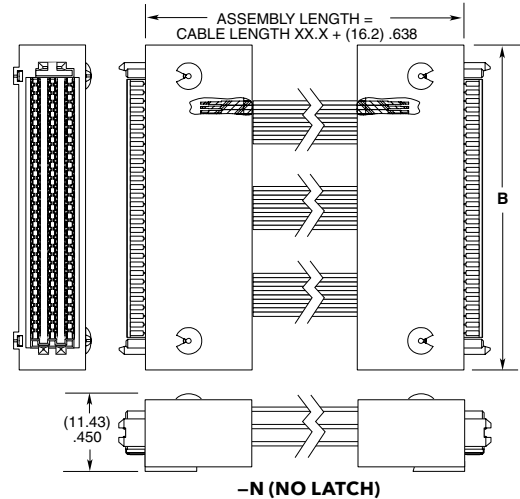
Cable lengths longer than 40.00" (1 meter) are not supported with S.I. test data.

PCIe[®] 2.0 & 3.0 capable

PCI-SIG[®], PCI Express[®] and the PCIe[®] design marks are registered trademarks and/or service marks of PCI-SIG.

Some lengths, styles and options are non-standard, non-returnable.

POSITIONS PER ROW	A	B	C
-020	(30.38) 1.196	(33.53) 1.320	(48.26) 1.900
-030	(43.08) 1.696	(46.23) 1.820	(60.96) 2.400
-040	(55.78) 2.196	(58.93) 2.320	(73.66) 2.900
-050	(68.48) 2.696	(71.63) 2.820	(86.36) 3.400



SEARAY™ 0.80 mm CABLE ASSEMBLY

(0.80 mm) .0315" pitch High-Speed Cable in 8 to 10 rows that mates with the SEAM8/SEAF8 Series.

For more information on the ESCA Series, visit samtec.com?ESCA

