

## 50 Ω SMB TO 4 GHz

### SMB Cable Assemblies

RF174, RF178, RF316



SERIES	END 1 CONNECTOR	END 2 CONNECTOR	OVERALL LENGTH
<b>RF174</b> = RG 174 Cable	<b>-07SP1</b> = SMB Straight Plug		<b>-“XXXX”</b> = Overall Length in millimeters
<b>RF178</b> = RG 178 Cable	<b>-07RP1</b> = SMB Right-angle Plug		-0100 (100 mm) 3.94" minimum
<b>RF316</b> = RG 316 Cable, Single Braid Shield	<b>-07BJ1</b> = SMB Bulkhead Jack		
	<b>-07BJ2</b> = SMB Bulkhead Jack (RF178 only)		

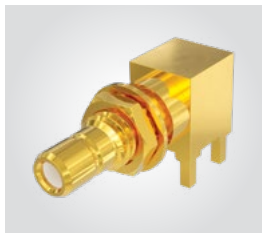
### ALSO AVAILABLE

50 Ω: MCX, MMCX, SMA, BNC, TNC,  
N Type = RF174, RF178, RF316

### SMB Board Connectors

SMB5-TH

**Cable Mates:**  
RF174, RF178, RF316,  
GRF1H-C, IJ5H



SMB5	GENDER	TYPE	PLATING	ORIENTATION	TERMINATION
	<b>-J</b> = Jack	<b>-P</b> = PCB Mount	<b>-H</b> = 30 μ" (0.76 μm) Gold center contact, 3 μ" (0.08 μm) Gold outer contact	<b>-RA</b> = Right-angle	<b>-TH1</b> = Through-hole

(10.92)  
.430

(20.45) .805

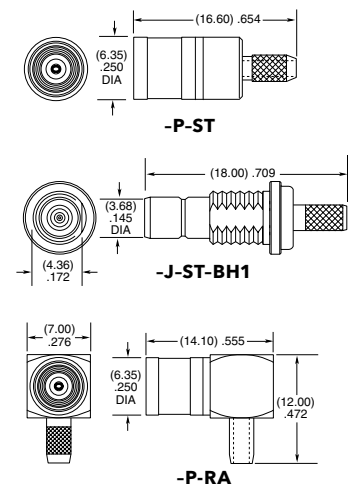
### SMB Cable Connectors

SMB5-CA



CONNECTORS FOR INDUSTRY STANDARD CABLES	
SMB5-P-C-H-ST-CA1	RG 174/316 Cable
SMB5-P-C-H-RA-CA1	RG 174/316 Cable
SMB5-J-C-H-ST-CA2	RG 178 Cable
SMB5-J-C-H-ST-BH1	RG 316 Cable, Bulkhead

P-C = Cable Plug  
J-C = Cable Jack  
H = Plating (30 μ" Gold center contact, 3 μ" Gold on outer contact)  
ST = Straight  
RA = Right-angle



Supplied with pins, washers,  
nuts and ferrules. See website  
for dimensions.