

(2.00 mm) .0787"

YTW SERIES

HIGH-DENSITY BOARD STACKER

SPECIFICATIONS

For complete specifications see www.samtec.com?YTW

Insulator Material:
Black Liquid Crystal Polymer

Terminal Material:
Phosphor Bronze

Operating Temp Range:
-55 °C to +105 °C with Tin;
-55 °C to +125 °C with Gold

Plating:
Sn or Au over
50 μ" (1.27 μm) Ni

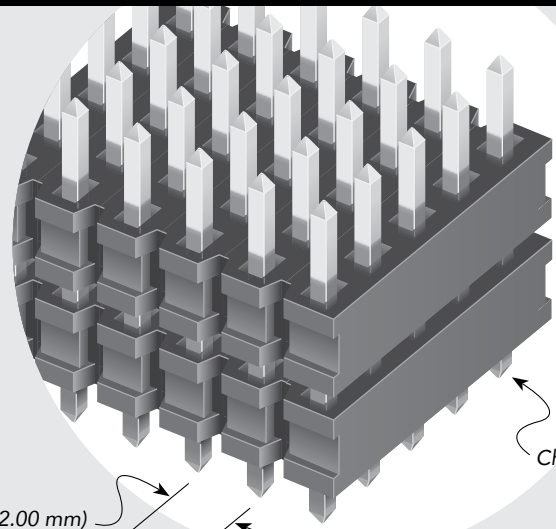
RoHS Compliant:
Yes

Lead-Free Solderable:
Wave only

Mates with:
YTQ, YTS, YTE

OTHER SOLUTIONS

Paste In Hole (PIH) processing.
Contact Samtec ASP Group.



(2.00 mm)
.0787" pitch

RECOGNITIONS

For complete scope of recognitions see www.samtec.com/quality

FILE NO. E111594

YTW	NO. PINS PER ROW	LEAD STYLE	PLATING OPTION	ROW OPTION	STACKER HEIGHT	TAIL SPEC
	02 thru 50	Specify LEAD STYLE from chart below.	<p>-G = 20 μ" (0.51 μm) Gold contact area, Gold flash on tail</p> <p>-S = 30 μ" (0.76 μm) Gold contact area, Tin on tail (Style -01 & -02 not available)</p> <p>-L = 10 μ" (0.25 μm) Gold contact area, Tin on tail</p> <p>-T = Tin</p>	<p>-Q = Four Row</p> <p>-5 = Five Row</p> <p>-6 = Six Row</p>	<p>-"XXX" = Stacker Height In inches (0.13 mm) .005" increments Example: -250 = (6.35 mm) .250"</p>	<p>-"XXX" = Tail Length In inches (0.13 mm) .005" increments Example: -150 = (3.81 mm) .150"</p> <p>-"XXX" = Polarized Position</p>

LEAD STYLE	OAL
-01	(8.20) .323
-02	(9.60) .377
-03	(13.60) .535
-04	(14.10) .555
-05	(15.10) .594
-06	(17.10) .673
-07	(19.10) .751
-09	(11.60) .456
-10	(15.60) .614
-11	(10.08) .397

ROW OPTION	STACKER HEIGHT
-Q	(3.05) .120 MIN
-5 & -6	(4.06) .160 MIN

Note:
This Series is non-standard,
non-returnable.