

# AccliMate™

## IP68 Sealed Circular Cable Assembly Systems

Samtec's newest AccliMate™ Sealed Circulares (ACP/ACR Series) were developed to maximize design flexibility. They are available in standard shell sizes of 12mm, 16mm and 22mm with metal or plastic housings and feature a choice of four keyed bayonet style latches to ensure proper mating with quick connection and disconnection. This AccliMate™ product line offers virtually unlimited design flexibility and can be configured with a variety of signal, power and RF contacts as well as combinations. The system is configured based on power delivery direction for an optimum design. Panel receptacles can be terminated with a variety of connectors, or can be supplied with blunt cut cable or solder cups for field termination. Field Termination Kits are also available for sealed plugs and receptacles.

Samtec has released Solutionator®, a new online tool that allows customers total design flexibility with their AccliMate™ IP67 and IP68 dust and water sealed cable products. In a few easy steps, users are able to design a complete sealed assembly from over 350,000 design permutations comprised of mix-and-match options on bundled cable, shell size and material, contact size and quantity, contact placement, wire gauge and keying options. In a matter of minutes, Samtec customers are able to design a solution to their exact specification, see real time performance simulations of their design, download a spec sheet and request a free sample or a quote.



## Features

- Flexible pin count, size, location and gender (18 standard pinouts)
- Variety of socket and terminal options:
  - Signal pins (0,50 mm or 1,00 mm DIA)
  - Power pins (1,50 mm DIA)
  - RF connectors
  - Signal/power and signal/RF combinations
- Variety of panel interface termination options:
  - Discrete wire terminated with connectors
  - Blunt cut cable, solder cups and PCB mount
- Custom cable bundling including mix-and-match 30 to 14 AWG and RG 316
- Kitted components to facilitate efficient field assembly
- Create your Sealed I/O System with Solutionator®



### Series



ACR-12, ACP-12 Series



ACR-16, ACP-16 Series



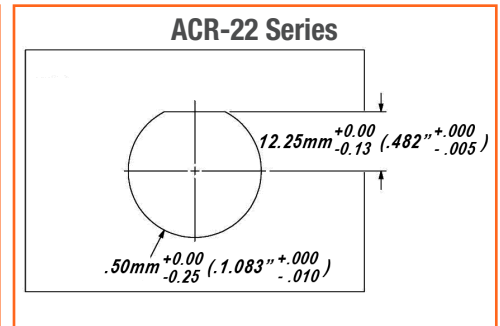
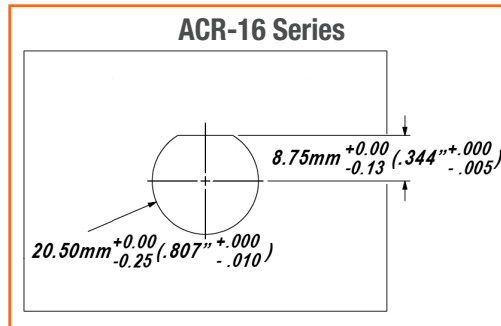
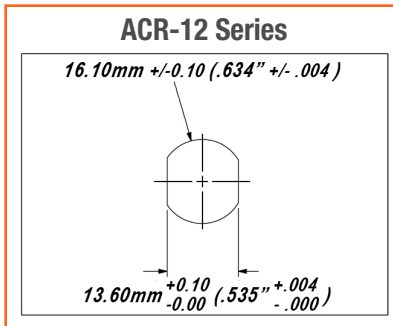
ACR-22, ACP-22 Series

Leadstyle	Inserts
-01	(5) 1,00 mm pins
-02	(4) 1,00 mm pins
-03	(6) 0,50 mm pins
-04	(8) 0,50 mm pins
-05	(2) 1,00 mm pins and (4) 0,50 mm pins

Leadstyle	Inserts
-01	(14) 0,50 mm pins
-02	(10) 1,00 mm pins
-03	(4) 1,50 mm pins
-04	(2) RF pins (2) 1,00 mm pins
-05	(3) 1,00 mm pins and (1) RF pin
-06	(2) 1,50 mm pins and (8) 0,50 mm pins
-07	(1) RF pins and (6) 1,00 mm pins

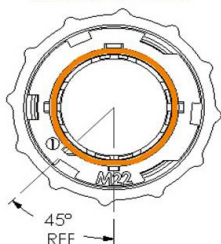
Leadstyle	Inserts
-01	(30) 1,00 mm pins
-02	(20) 1,00 mm pins
-03	(8) 1,50 mm pins
-04	(6) RF pins
-05	(4) 1,50 mm pins and (16) 1,00 mm pins
-06	(4) RF pins and (12) 1,00 mm pins

### Panel Openings

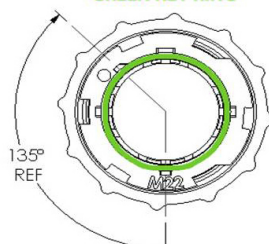


### Keying Options

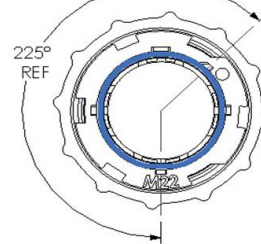
**ORANGE KEY RING**



**GREEN KEY RING**



**BLUE KEY RING**



**YELLOW KEY RING**

