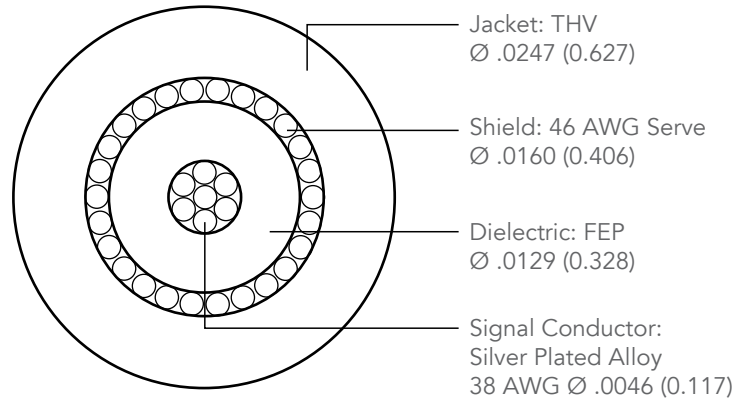


50 Ω, 38 AWG MICRO COAX CABLE HT

TCF-3850-XX-T01-TB



PERFORMANCE DATA

| | |
|----------------------|--------------------------------------|
| Capacitance: | 31 pF/ft (nominal) |
| Propagation Delay: | 1.46 ns/foot |
| Flex Cycles: | 150,000 cycles, single* |
| Current Rating: | Single conductor = 0.9 Amps** |
| Shield DCR: | 163 Ω/1000 ft |
| CC DCR: | 817 Ω/1000 ft |
| Min. Bend Radius: | .125" |
| Availability: | Single, 4-30 tape bonded |
| Temperature Rating: | -40 °C to 140 °C, UL VW-1 Tested *** |
| DWV Working Voltage: | 201 V† |

| Insertion Loss | 0.25 m | 1 m |
|----------------|----------|---------|
| -3 dB | 6.6 GHz | 0.7 GHz |
| -7 dB | 19.7 GHz | 3.5 GHz |

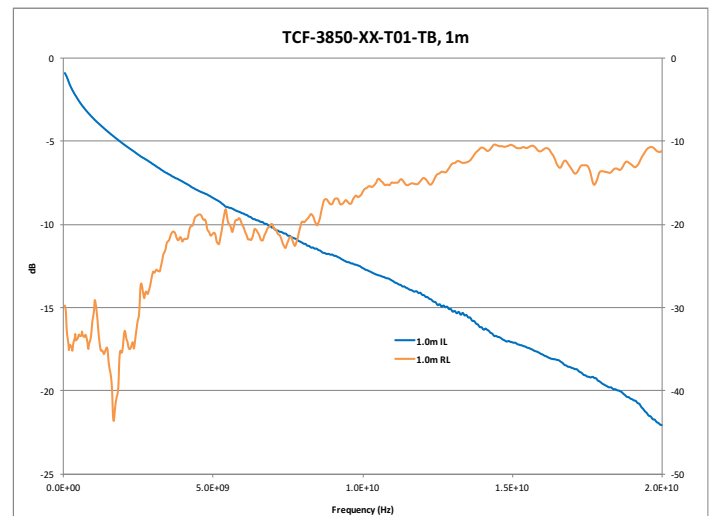
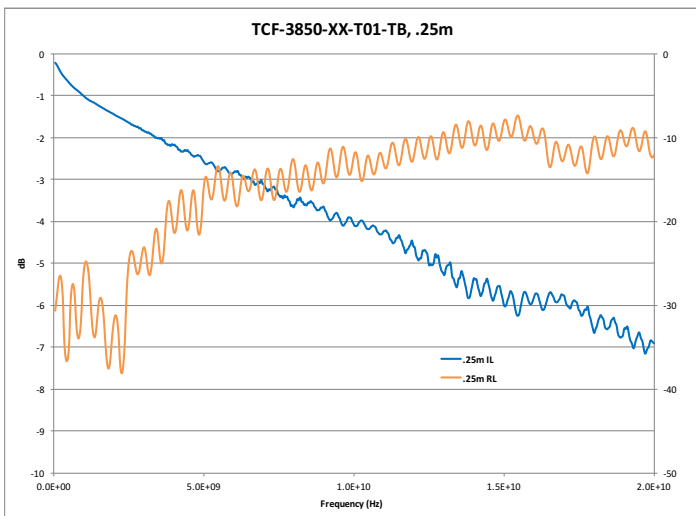
* Test Conditions – 1 oz. weight, dia 1/4" mandrel, +/-90 bend X2

** Rating – 30 °C Temperature Rise, 20% de-rated.

*** Test Conditions – Heat Shock/Cold Bend per UL1581, wire wrap 1/4" mandrel, visual inspection

† Test Conditions – IR/DWV/Thermal Shock/Humidity per EIA-364-20, 21, 31 and 32

INSERTION LOSS AND RETURN LOSS GRAPHS†



†IL and RL data are typical. Results may vary.



1.800.SAMTEC.9 • HDR@samtec.com

September 20, 2018 • Rev: D