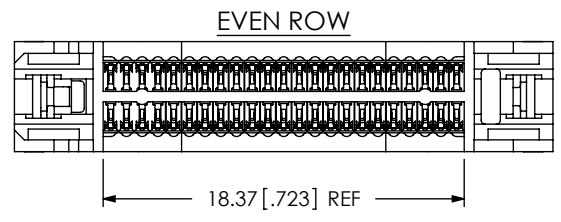
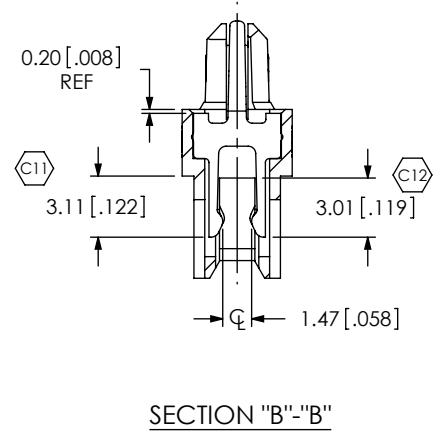
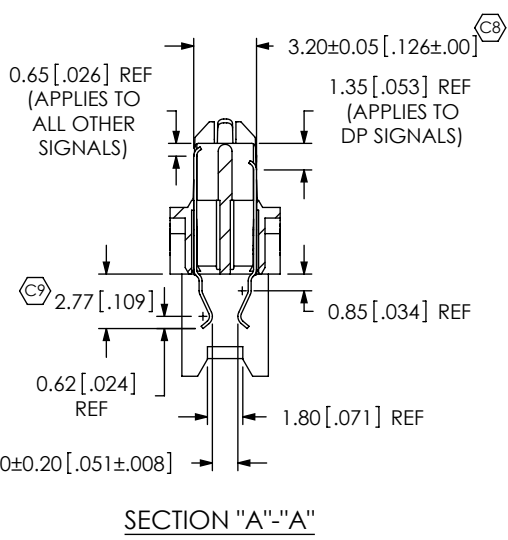
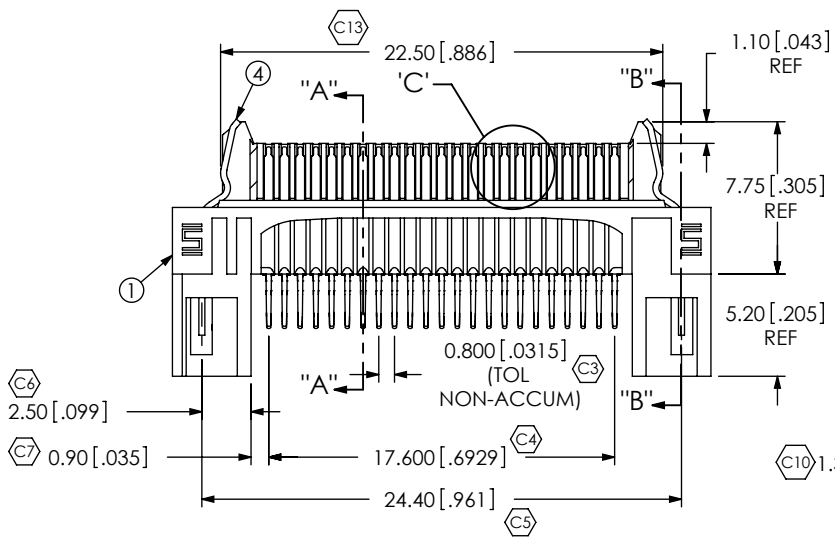
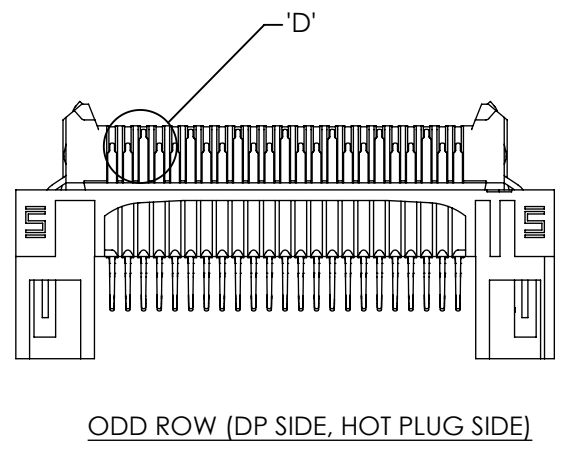
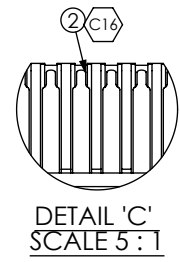
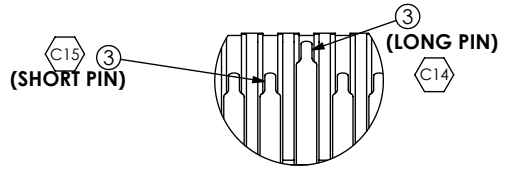
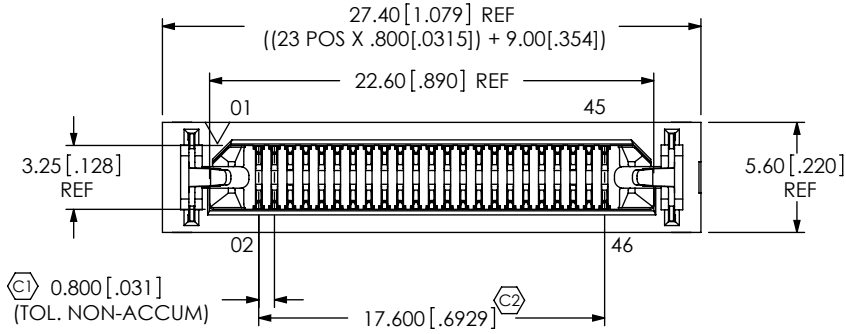


**REVISION C**

DO NOT SCALE FROM THIS PRINT

- NOTES:  
 1. CONTACT CONFIGURATION NOT AVAILABLE AS STANDARD.  
 2. Ⓢ REPRESENTS A CRITICAL DIMENSION.  
 3. MAXIMUM BURR ALLOWANCE: .038[.0015].  
 4. MINIMUM PUSHOUT FORCE: 2.22N [.5 LB].  
 5. PARTS TO BE PACKAGED IN TRAYS.



ITEM NO.	PART NUMBER	QUANTITY	MATERIAL
1	ERM8-023-D-EM2	1.0000	VECTRA E130i, COLOR:BLACK
2	T-1M47-01-S	23.000	PHOS BRONZE, 521 HT
3	T-1M47-03-S	23.000	PHOS BRONZE, 521 HT
4	WT-29-07-F	2.0000	BeCu #25, 1/2 HT
5	TY-ERM8030-23-EM2-L	1.0000	BLACK HIPS


UNLESS OTHERWISE SPECIFIED, DIMENSIONS ARE IN INCHES.  
 TOLERANCES ARE:  
 DECIMALS ANGLES  
 .X: ±.3[.01] 2°  
 .XX: ±.13[.005]  
 .XXX: ±.051[.0020]

PROPRIETARY NOTE  
 THIS DOCUMENT CONTAINS INFORMATION CONFIDENTIAL AND PROPRIETARY TO SAMTEC, INC. AND SHALL NOT BE REPRODUCED OR TRANSFERRED TO OTHER DOCUMENTS OR DISCLOSED TO OTHERS OR USED FOR ANY PURPOSE OTHER THAN THAT WHICH IT WAS OBTAINED WITHOUT THE EXPRESSED WRITTEN CONSENT OF SAMTEC, INC.

DO NOT SCALE DRAWING SHEET SCALE: 2.6:1

PLATING:  
 CONTACT AREA: .000030 GOLD OVER .000050 NICKEL  
 REMAINDER: .000200 REF TIN OVER .000050 NICKEL  
 LATCHES: .000003 GOLD OVER .000050 NICKEL

c:\enterprise\vaulf\DWG\MISC\MKTG\ASP-133811-02-MKT.SLDDRW



520 PARK EAST BLVD, NEW ALBANY, IN 47150  
 PHONE: 812-944-6733 FAX: 812-948-5047  
 e-Mail: info@SAMTEC.com code: 55322

DESCRIPTION: MODIFIED ERM8 ASSEMBLY

DWG. NO. ASP-133811-02

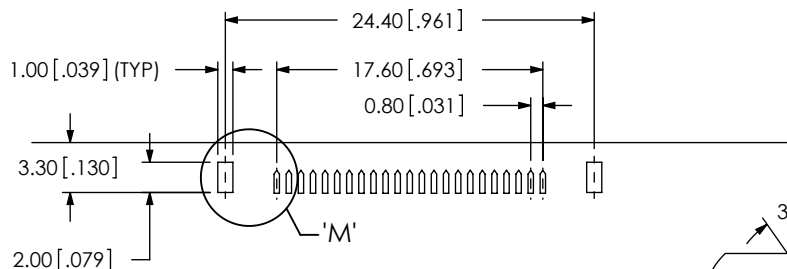
BY: D UNDERWOOD 7/10/07 SHEET 1 OF 2



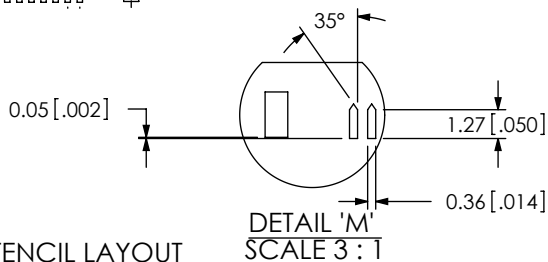
DETAIL 'G'  
SCALE 6:1



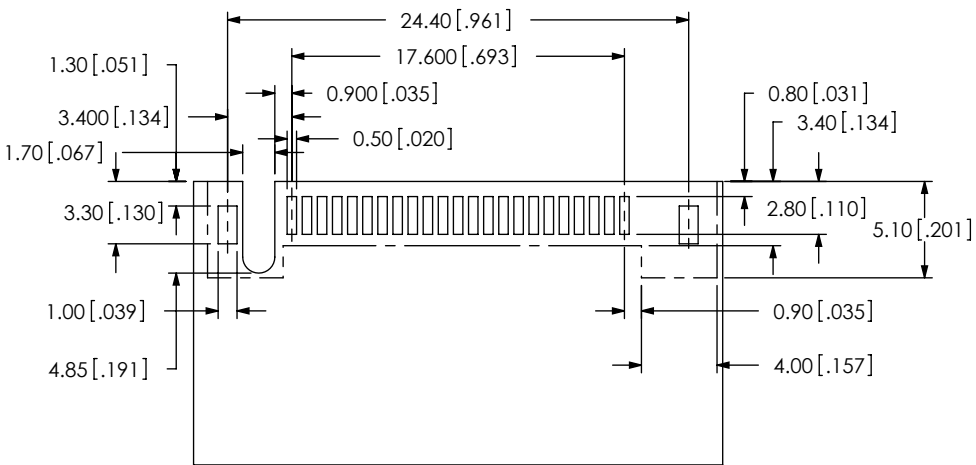
DETAIL 'H'  
SCALE 6:1



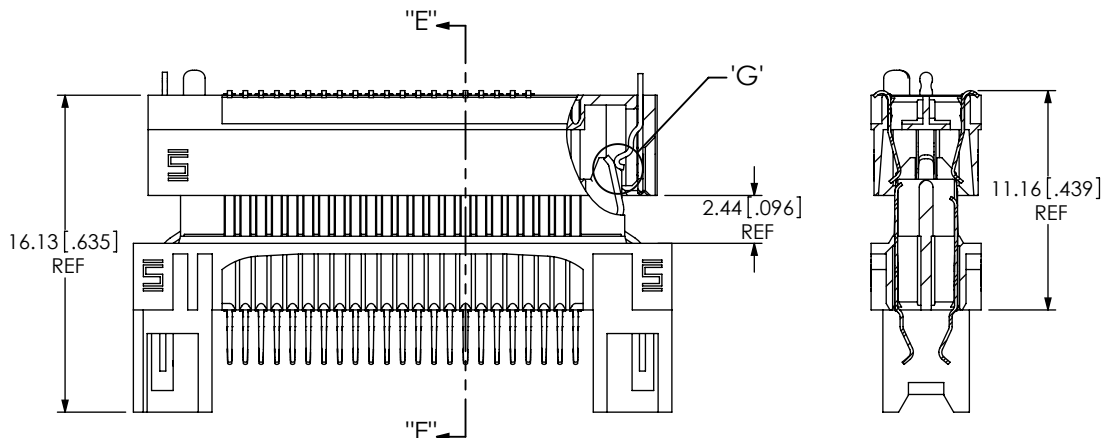
RECOMMENDED STENCIL LAYOUT



DETAIL 'M'  
SCALE 3:1

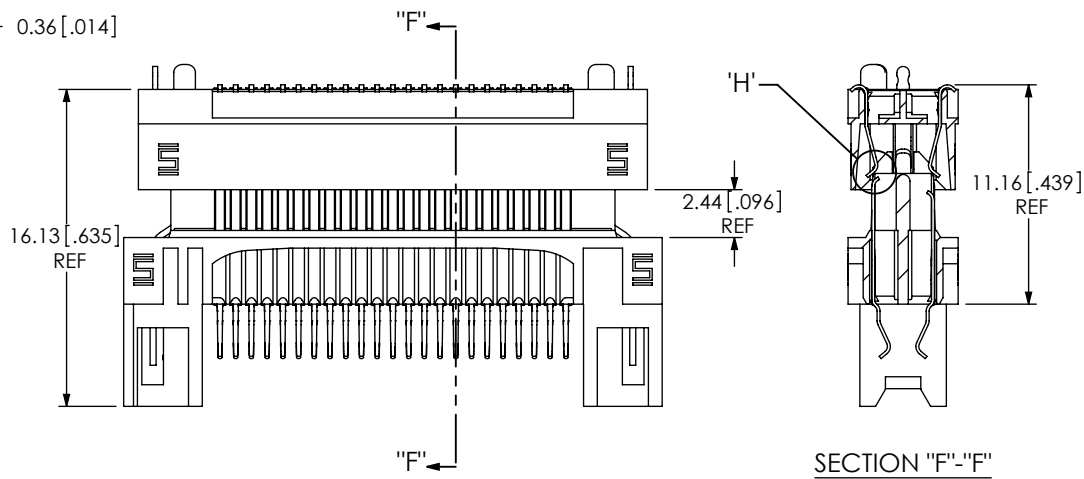


RECOMMENDED PCB LAYOUT



LATCH ENGAGING VIEW

SECTION "E"-"E"



PIN ENGAGING VIEW

SECTION "F"-"F"

PROPRIETARY NOTE

THIS DOCUMENT CONTAINS INFORMATION CONFIDENTIAL AND PROPRIETARY TO SAMTEC, INC. AND SHALL NOT BE REPRODUCED OR TRANSFERRED TO OTHER DOCUMENTS OR DISCLOSED TO OTHERS OR USED FOR ANY PURPOSE OTHER THAN THAT WHICH IT WAS OBTAINED WITHOUT THE EXPRESSED WRITTEN CONSENT OF SAMTEC, INC.



520 PARK EAST BLVD, NEW ALBANY, IN 47150  
PHONE: 812-944-6733 FAX: 812-948-5047  
e-Mail: info@SAMTEC.com code: 55322

SHEET SCALE: 2:1

DESCRIPTION: MODIFIED ERM8 ASSEMBLY

DWG. NO. ASP-133811-02

BY: DUNDERWOOD 7/10/07 SHEET 2 OF 2