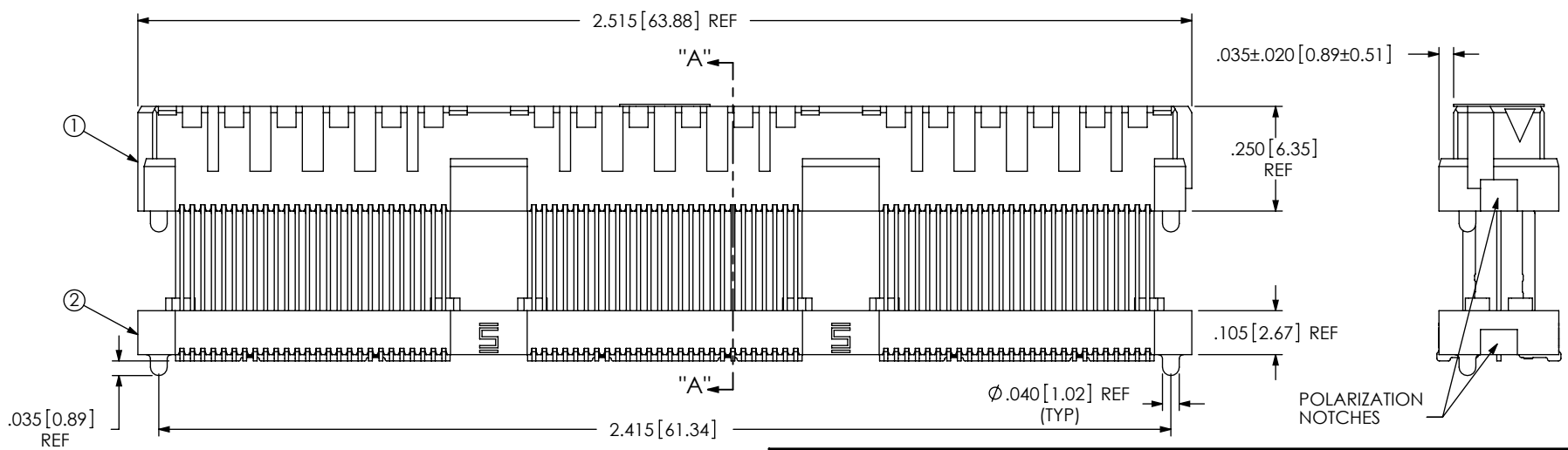
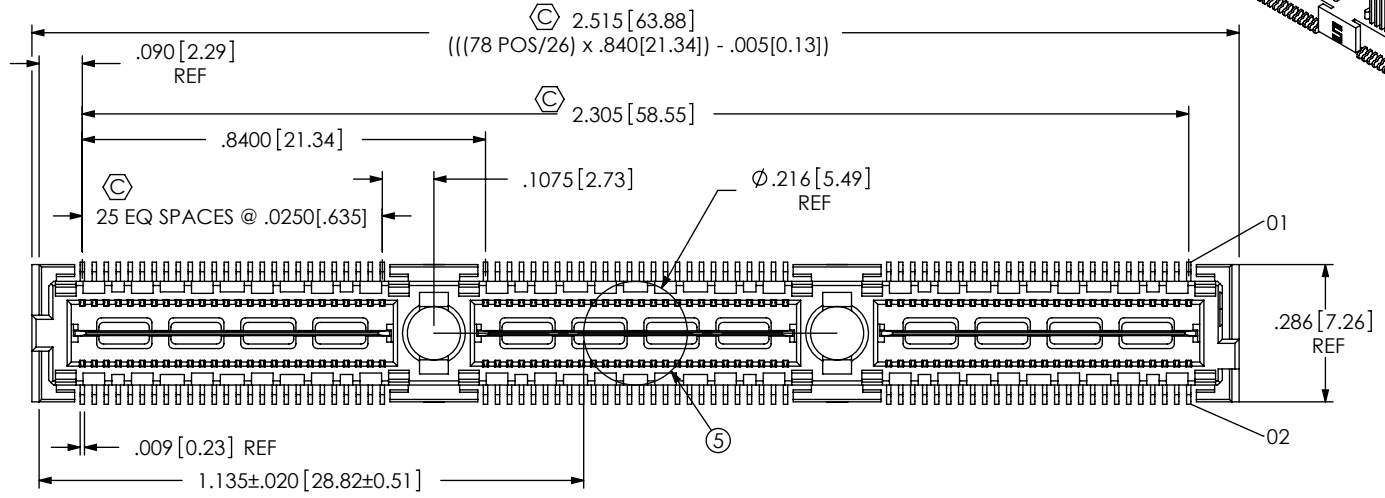
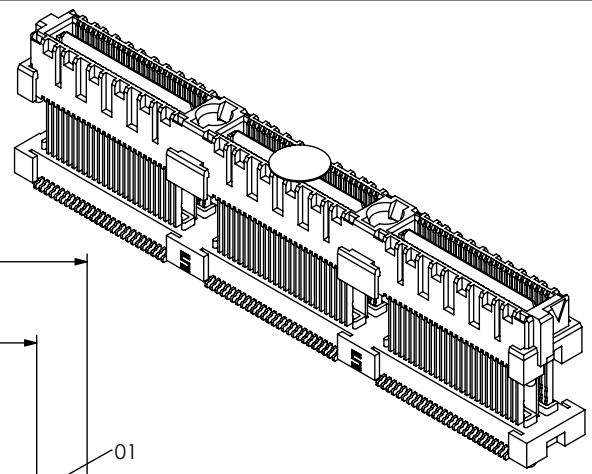


DO NOT SCALE FROM THIS PRINT

- NOTES:
1. .608 STACKER HEIGHT NOT AVAILABLE AS STANDARD.
  2. Ⓢ REPRESENTS A CRITICAL DIMENSION.
  3. MAXIMUM BURR ALLOWANCE: .0015[0.038]
  4. MINIMUM PUSHOUT FORCE: SIGNAL: .5 LB, GROUND: 1 LB.
  5. MAXIMUM VARIANCE OF .002[0.05].
  6. DIMENSION APPLIES TO CONTACTS & GROUND PLANES.
  7. GROUND PLANE PRESS HEIGHT MUST BE .003[0.08] LESS THAN THE MAX HEIGHT OR .001[0.03] GREATER THAN THE MINIMUM HEIGHT OF THE TERMINAL.
  8. PARTS TO BE PACKAGED IN TAPE & REEL.
  9. FOR QUANTITIES UP TO 49 PIECES, NO LEADER, TRAILER, OR EIA-481-D REEL WILL BE SUPPLIED. FOR QUANTITIES OF 50-100 PIECES, NO LEADER, TRAILER WILL BE SUPPLIED.



ITEM NO.	PART NUMBER	QUANTITY	MATERIAL
1	QMSS-26-06.75-D-03-A	1.0000	VECTRA E130i, COLOR: BLACK
2	QTSH-26-01-D-03-A	1.0000	VECTRA E130i, COLOR: BLACK
3	T-1M72-15.75-S	156.00	PHOS BRONZE, 521 EXTRA SPRING TEMPER
4	T-1G19-15.75-L	3.0000	PHOS BRONZE, 510 FULL HARD TEMPER
5	K-500-300	1.0000	POLYIMIDE FILM
6	CT-ASP2675MS	1.0000	CONDUCTIVE POLYMER

UNLESS OTHERWISE SPECIFIED, DIMENSIONS ARE IN INCHES.

TOLERANCES ARE:  
 DECIMALS ANGLES  
 .XX: ±.01[0.3] 2°  
 .XXX: ±.005[0.13]  
 .XXXX: ±.0020[0.051]

PROPRIETARY NOTE  
 THIS DOCUMENT CONTAINS CONFIDENTIAL AND PROPRIETARY INFORMATION AND ALL DESIGN, MANUFACTURING, REPRODUCTION, USE, PATENT RIGHTS AND SALES RIGHTS ARE EXPRESSLY RESERVED BY SAMTEC, INC. THIS DOCUMENT SHALL NOT BE DISCLOSED, IN WHOLE OR PART, TO ANY UNAUTHORIZED PERSON OR ENTITY NOR REPRODUCED, TRANSFERRED OR INCORPORATED IN ANY OTHER PROJECT IN ANY MANNER WITHOUT THE EXPRESS WRITTEN CONSENT OF SAMTEC, INC.

DO NOT SCALE DRAWING SHEET SCALE: 1:0.4

PLATING:  
 CONTACT AREA: .000030 GOLD OVER .000050 NICKEL  
 REMAINDER: .000200 REF TIN OVER .000050 NICKEL

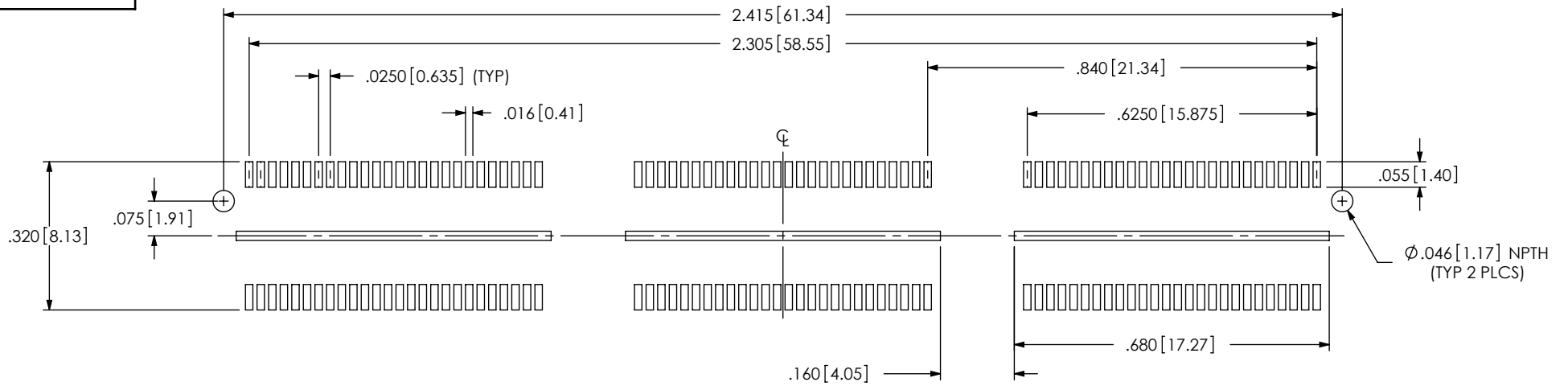
F:\DWG\MISC\MKTG\ASP-142781-03-MKT.SLDDRW

520 PARK EAST BLVD, NEW ALBANY, IN 47150  
 PHONE: 812-944-6733 FAX: 812-948-5047  
 e-Mail: info@SAMTEC.com code: 55322

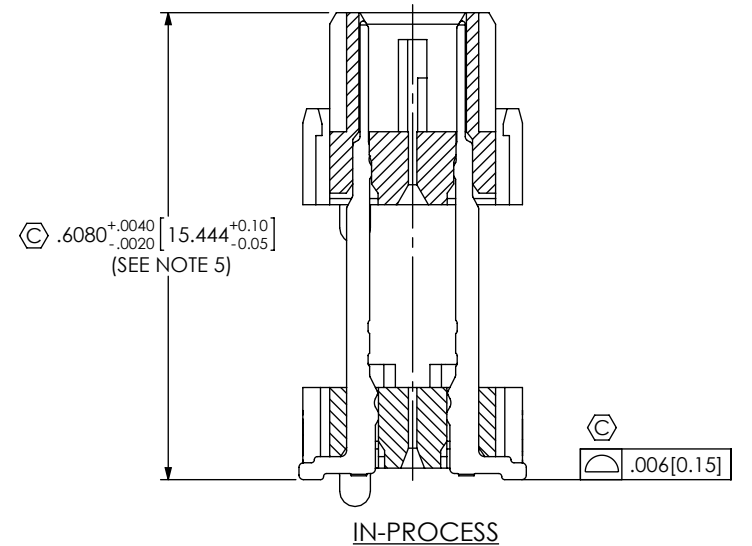
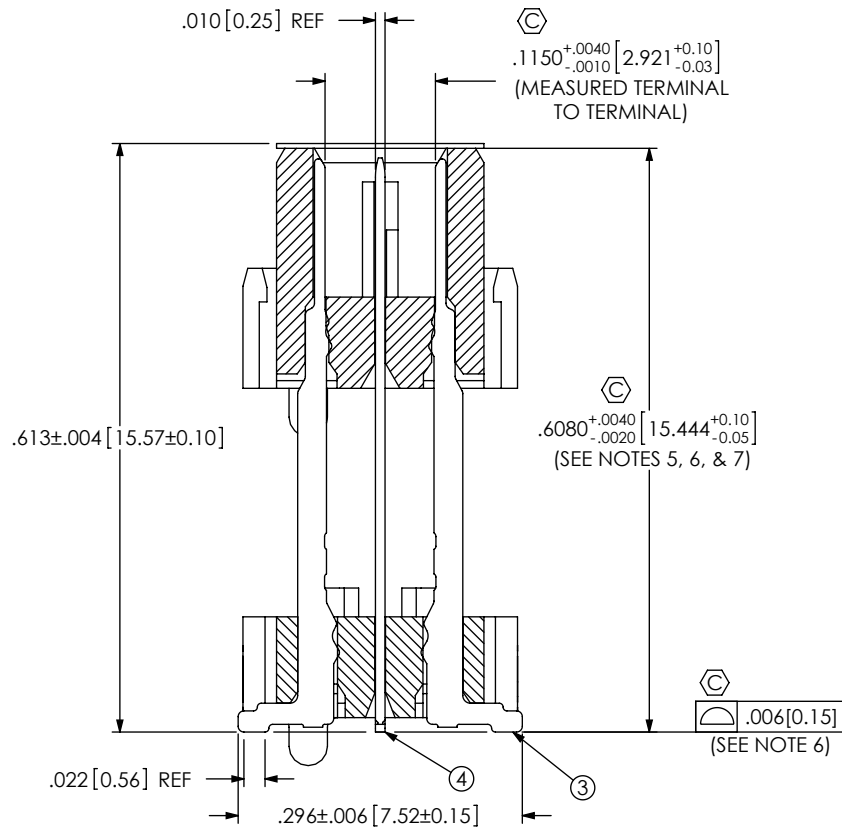
DESCRIPTION:  
 ELEVATED QMS ASM (22MM STACK)

DWG. NO.  
 ASP-142781-03

BY: C. RYAN 10/17/2008 SHEET 1 OF 3



RECOMMENDED PCB LAYOUT  
(ALL DIMENSIONS ARE SYMMETRIC ABOUT THE CENTERLINE)



**PROPRIETARY NOTE**  
THIS DOCUMENT CONTAINS CONFIDENTIAL AND PROPRIETARY INFORMATION AND ALL DESIGN, MANUFACTURING, REPRODUCTION, USE, PATENT RIGHTS AND SALES RIGHTS ARE EXPRESSLY RESERVED BY SAMTEC, INC. THIS DOCUMENT SHALL NOT BE DISCLOSED, IN WHOLE OR PART, TO ANY UNAUTHORIZED PERSON OR ENTITY NOR REPRODUCED, TRANSFERRED OR INCORPORATED IN ANY OTHER PROJECT IN ANY MANNER WITHOUT THE EXPRESS WRITTEN CONSENT OF SAMTEC, INC.



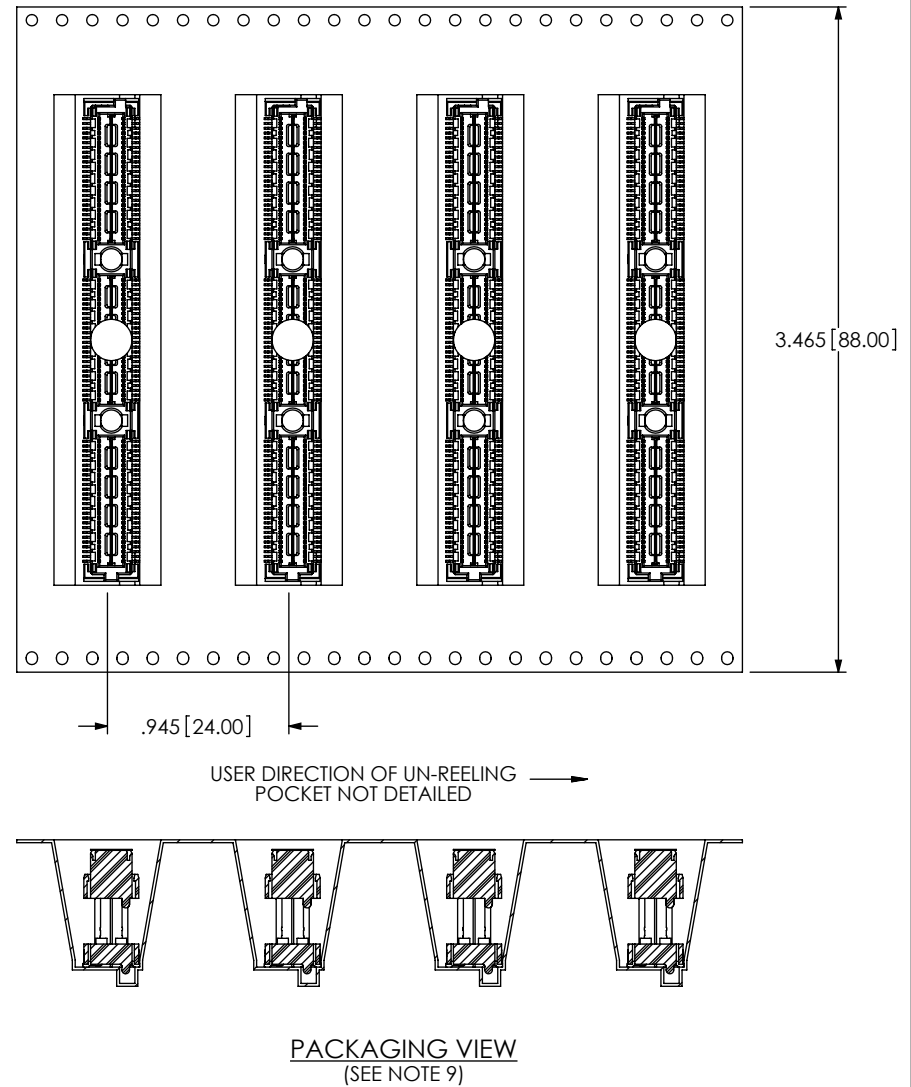
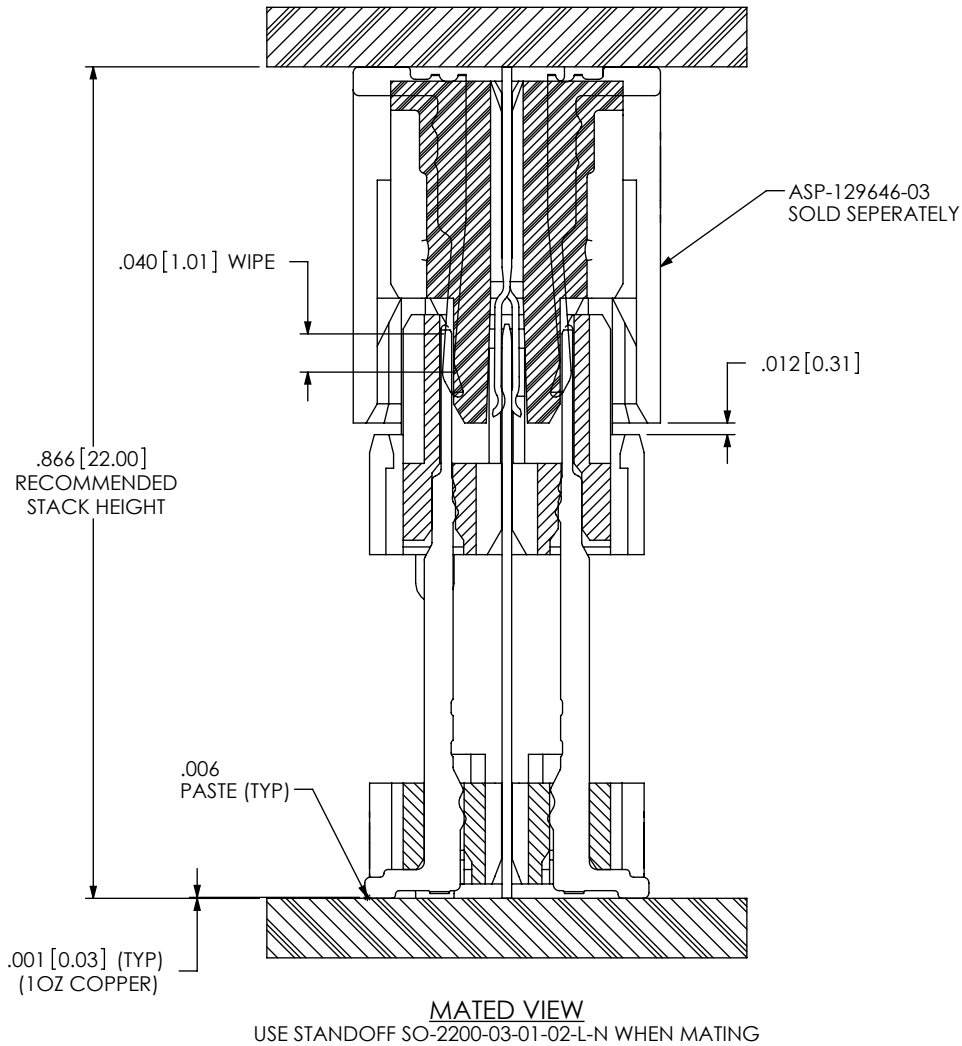
520 PARK EAST BLVD, NEW ALBANY, IN 47150  
PHONE: 812-944-6733 FAX: 812-948-5047  
e-Mail: info@SAMTEC.com code: 55322

SHEET SCALE: 2.5:1

DESCRIPTION:  
ELEVATED QMS ASM (22MM STACK)

SECTION "A"- "A"  
SCALE 5:1

DWG. NO.  
ASP-142781-03



PROPRIETARY NOTE  
 THIS DOCUMENT CONTAINS CONFIDENTIAL AND PROPRIETARY INFORMATION AND ALL DESIGN, MANUFACTURING, REPRODUCTION, USE, PATENT RIGHTS AND SALES RIGHTS ARE EXPRESSLY RESERVED BY SAMTEC, INC. THIS DOCUMENT SHALL NOT BE DISCLOSED, IN WHOLE OR PART, TO ANY UNAUTHORIZED PERSON OR ENTITY NOR REPRODUCED, TRANSFERRED OR INCORPORATED IN ANY OTHER PROJECT IN ANY MANNER WITHOUT THE EXPRESS WRITTEN CONSENT OF SAMTEC, INC.



520 PARK EAST BLVD, NEW ALBANY, IN 47150  
 PHONE: 812-944-6733 FAX: 812-948-5047  
 e-Mail: info@SAMTEC.com code: 55322

SHEET SCALE: 5:1

DESCRIPTION:  
 ELEVATED QMS ASM (22MM STACK)

DWG. NO.  
 ASP-142781-03