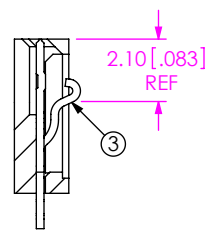
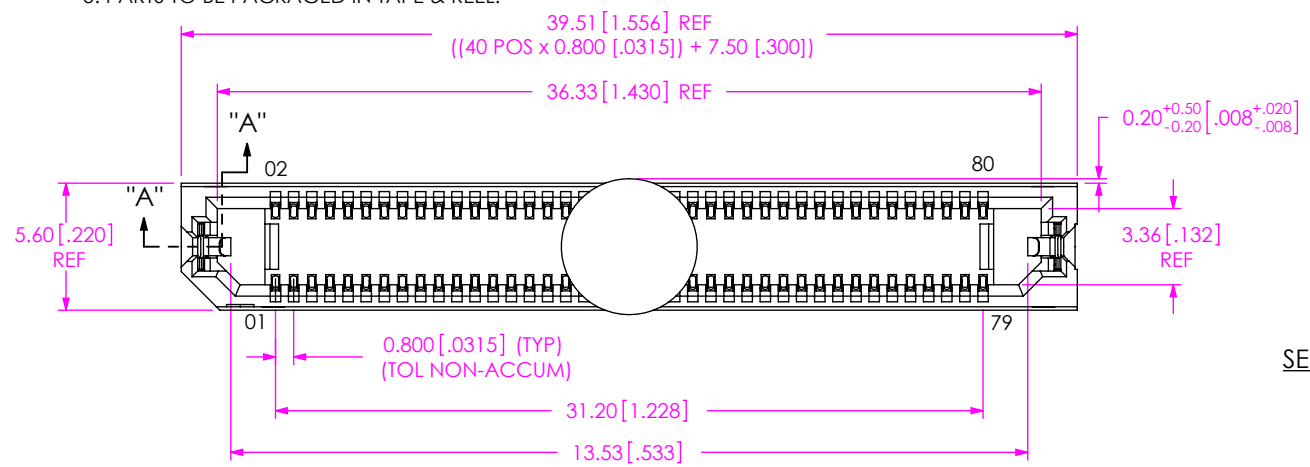
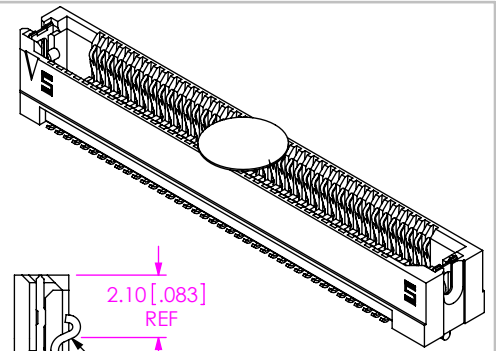


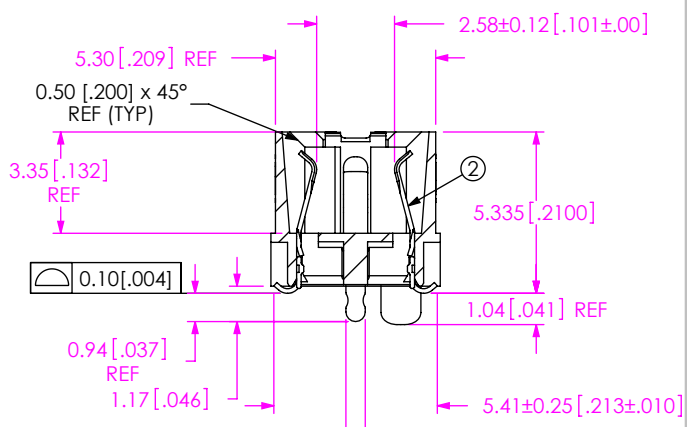
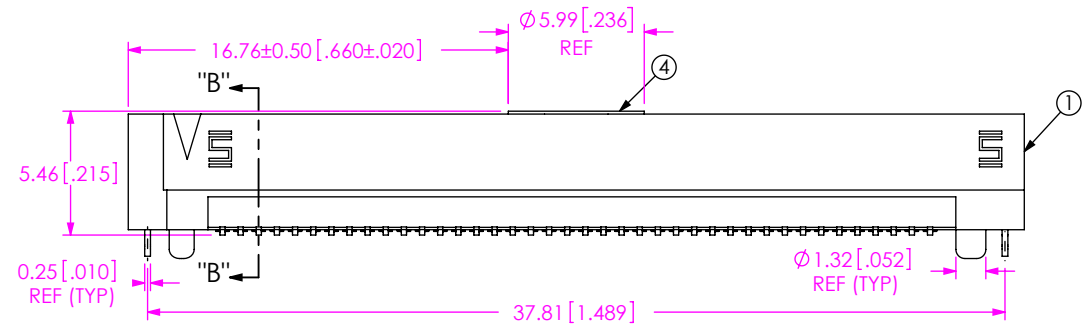
DO NOT SCALE FROM THIS PRINT

- NOTES:
 1. STANDARD PART SET UP AS ASP.
 2. REPRESENTS A CRITICAL DIMENSION.
 3. MAXIMUM BURR ALLOWANCE: 0.038 [.0015]
 4. MINIMUM PUSHOUT FORCE: 2.22N [.5LB]
 5. PARTS TO BE PACKAGED IN TAPE & REEL.

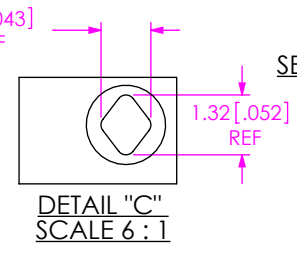
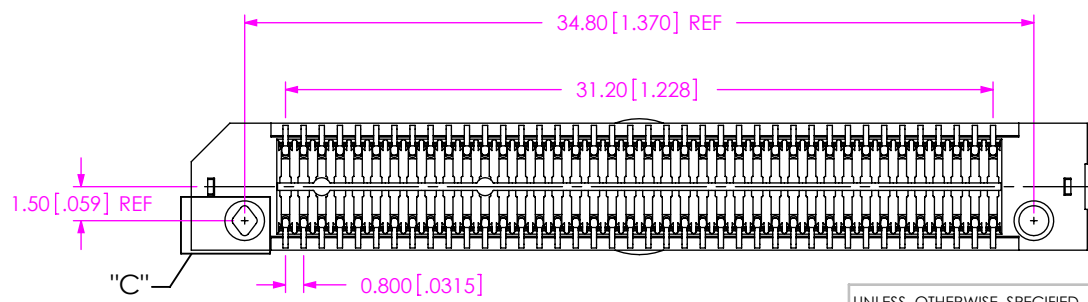
DESIGNED & DIMENSIONED IN MILLIMETERS [INCHES]



SECTION "A"- "A"
SCALE 4 : 1



SECTION "B"- "B"
SCALE 4 : 1



DETAIL "C"
SCALE 6 : 1

ITEM NO.	PART NUMBER	QUANTITY	MATERIAL
1	ERF8-040-05.0-DV-L	1.0000	VECTRA E130i, COLOR: BLACK
2	C-211-05.0-S	80.000	BeCu, 390 HT
3	WT-30-01-F	2.0000	BeCu, #25, 1/2 HT
4	K-DOT-.236-.343-.005	1.0000	POLYIMIDE FILM
5	CT-ERF8013MS	1.0000	CONDUCTIVE POLYMER

UNLESS OTHERWISE SPECIFIED, DIMENSIONS ARE IN MILLIMETERS. TOLERANCES ARE:
 DECIMALS ANGLES
 .X: ±0.3[.01] 2°
 .XX: ±0.13[.005]
 .XXX: ±0.051[.0020]

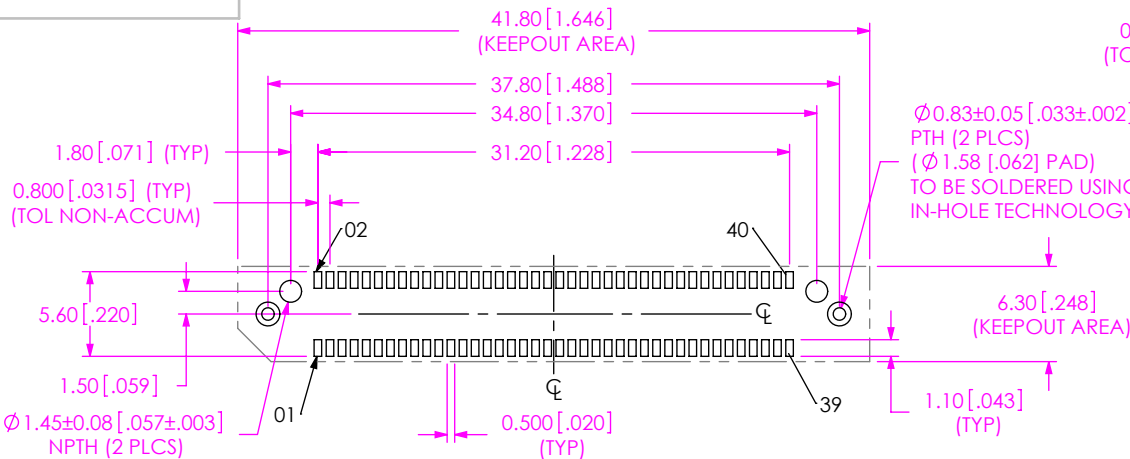
PROPRIETARY NOTE
 THIS DOCUMENT CONTAINS CONFIDENTIAL AND PROPRIETARY INFORMATION AND ALL DESIGN, MANUFACTURING, REPRODUCTION, USE, PATENT RIGHTS AND SALES RIGHTS ARE EXPRESSLY RESERVED BY SAMTEC, INC. THIS DOCUMENT SHALL NOT BE DISCLOSED, IN WHOLE OR PART, TO ANY UNAUTHORIZED PERSON OR ENTITY NOR REPRODUCED, TRANSFERRED OR INCORPORATED IN ANY OTHER PRODUCT IN ANY MANNER WITHOUT THE EXPRESS WRITTEN CONSENT OF SAMTEC, INC.



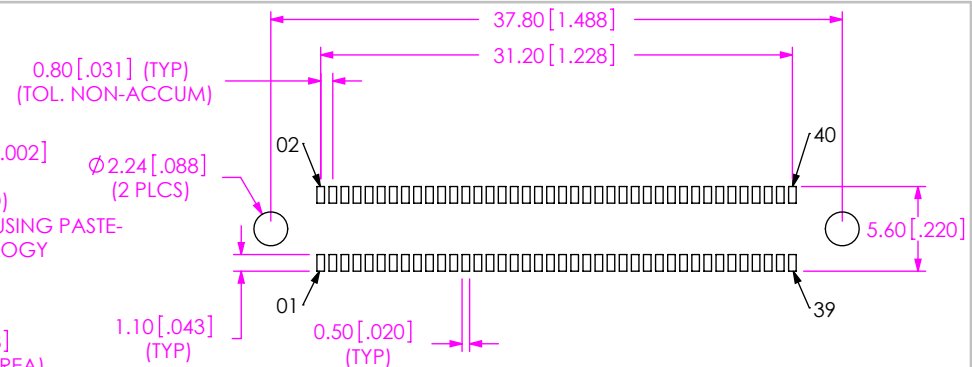
520 PARK EAST BLVD, NEW ALBANY, IN 47150
 PHONE: 812-944-6733 FAX: 812-948-5047
 e-Mail: info@SAMTEC.com code 53322

DO NOT SCALE DRAWING SHEET SCALE: 3:1
 PLATING:
 CONTACTS:
 CONTACT AREA: .000030 GOLD OVER .000050 NICKEL
 REMAINDER: .000200 REF TIN OVER .000050 NICKEL
 LATCHES: .000003 GOLD OVER .000050 NICKEL
 F:\DWG\MISC\MKTG\ASP-148424-01-MKT.SLDDRW

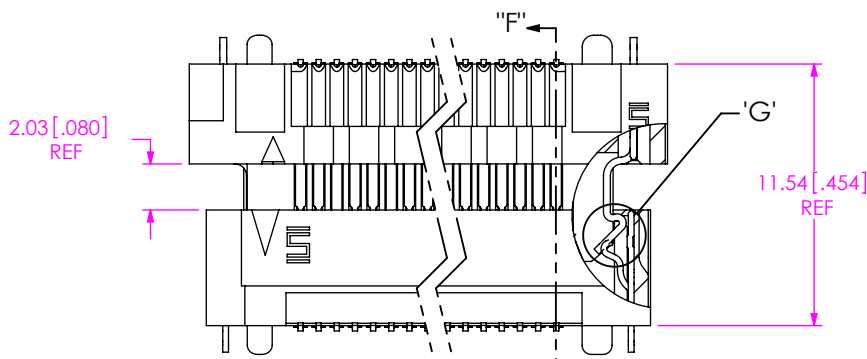
DESCRIPTION: ERF8 ASSEMBLY
 DWG. NO. ASP-148424-01
 BY: J. BROWNING 06/19/2009 SHEET 1 OF 2



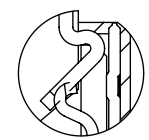
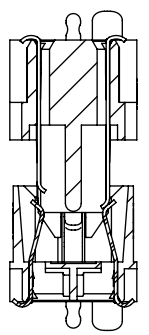
RECOMMENDED PCB LAYOUT



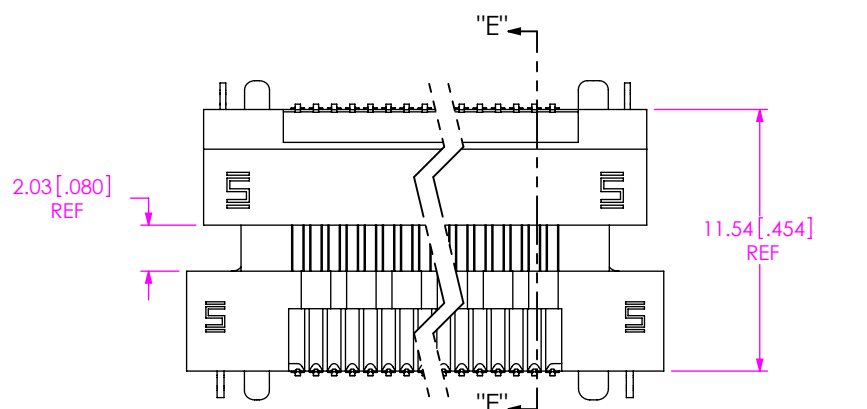
RECOMMENDED STENCIL LAYOUT



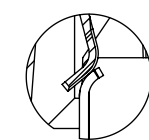
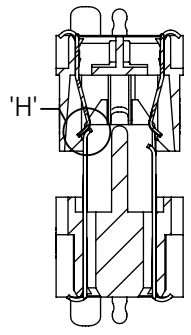
LATCH ENGAGING VIEW



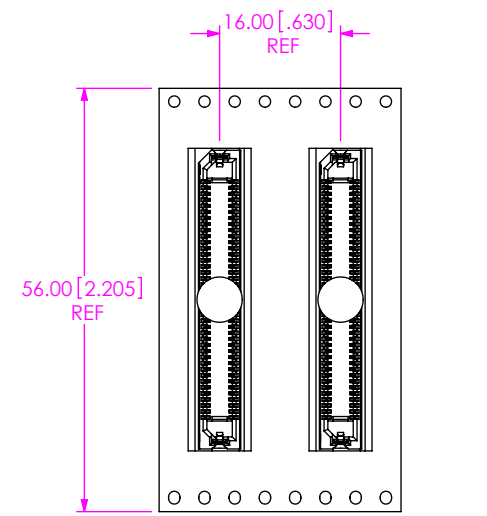
DETAIL 'G' SCALE 6 : 1



PIN ENGAGING VIEW

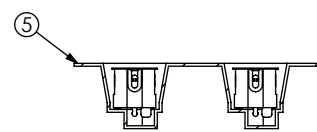


DETAIL 'H' SCALE 8 : 1



PACKAGING VIEW

USER DIRECTION OF UN-REELING POCKET NOT DETAILED



PROPRIETARY NOTE
 THIS DOCUMENT CONTAINS CONFIDENTIAL AND PROPRIETARY INFORMATION AND ALL DESIGN, MANUFACTURING, REPRODUCTION, USE, PATENT RIGHTS AND SALES RIGHTS ARE EXPRESSLY RESERVED BY SAMTEC, INC. THIS DOCUMENT SHALL NOT BE DISCLOSED, IN WHOLE OR PART, TO ANY UNAUTHORIZED PERSON OR ENTITY NOR REPRODUCED, TRANSFERRED OR INCORPORATED IN ANY OTHER PROJECT IN ANY MANNER WITHOUT THE EXPRESS WRITTEN CONSENT OF SAMTEC, INC.

SHEET SCALE: 3:1



520 PARK EAST BLVD, NEW ALBANY, IN 47150
 PHONE: 812-944-6733 FAX: 812-948-5047
 e-Mail: info@SAMTEC.com code 55322

DESCRIPTION: ERF8 ASSEMBLY

DWG. NO. ASP-148424-01