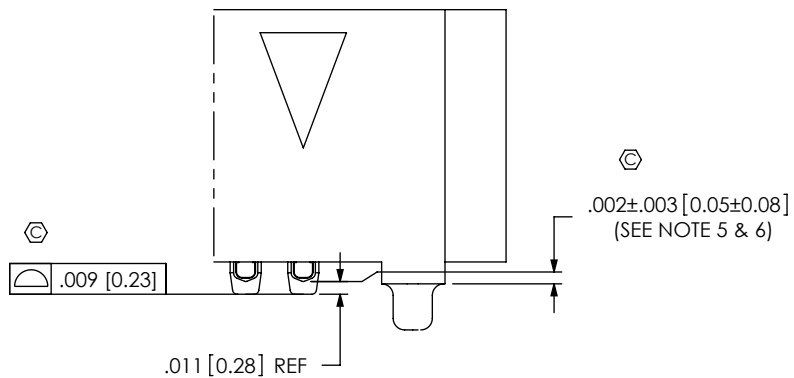
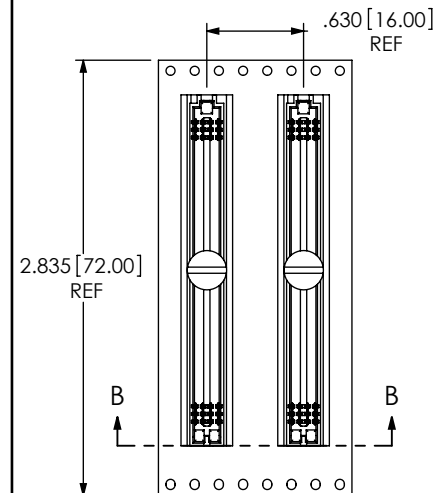


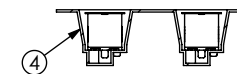
SECTION "A"-"A"
SCALE 6 : 1



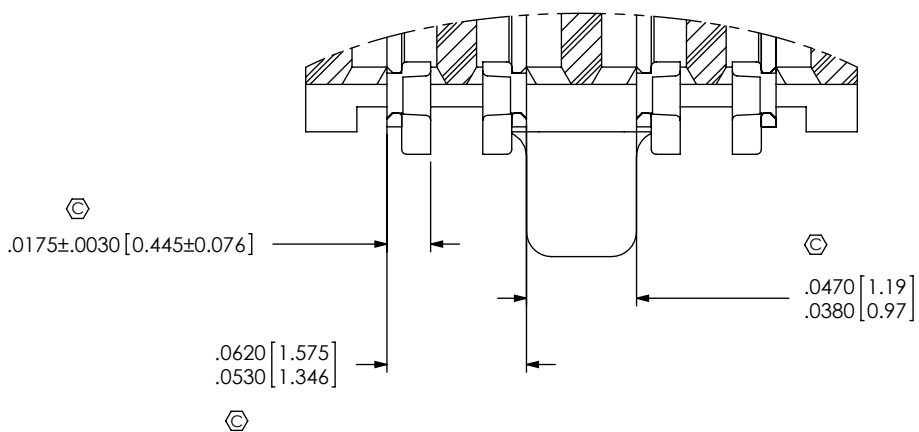
DETAIL 'C'
SCALE 6 : 1



USER DIRECTION OF UN-REELING
POCKET NOT DETAILED



SECTION "B"-"B"
SCALE 1 : 1.25



DETAIL 'B'
SCALE 13 : 1

PROPRIETARY NOTE

THIS DOCUMENT CONTAINS INFORMATION CONFIDENTIAL AND PROPRIETARY TO SAMTEC, INC. AND SHALL NOT BE REPRODUCED OR TRANSFERRED TO OTHER DOCUMENTS OR DISCLOSED TO OTHERS OR USED FOR ANY PURPOSE OTHER THAN THAT WHICH IT WAS OBTAINED WITHOUT THE EXPRESSED WRITTEN CONSENT OF SAMTEC, INC.

samtec

520 PARK EAST BLVD., NEW ALBANY, IN 47150
PHONE: 812-944-6733 FAX: 812-948-5047
e-Mail info@SAMTEC.com code 55322

SHEET SCALE: 1.5:1

DESCRIPTION: .050 SOCKET ARRAY ASSEMBLY

DWG. NO. ASP-151798-02-06.0