

REVISION

PATENT NUMBER
7,544,093

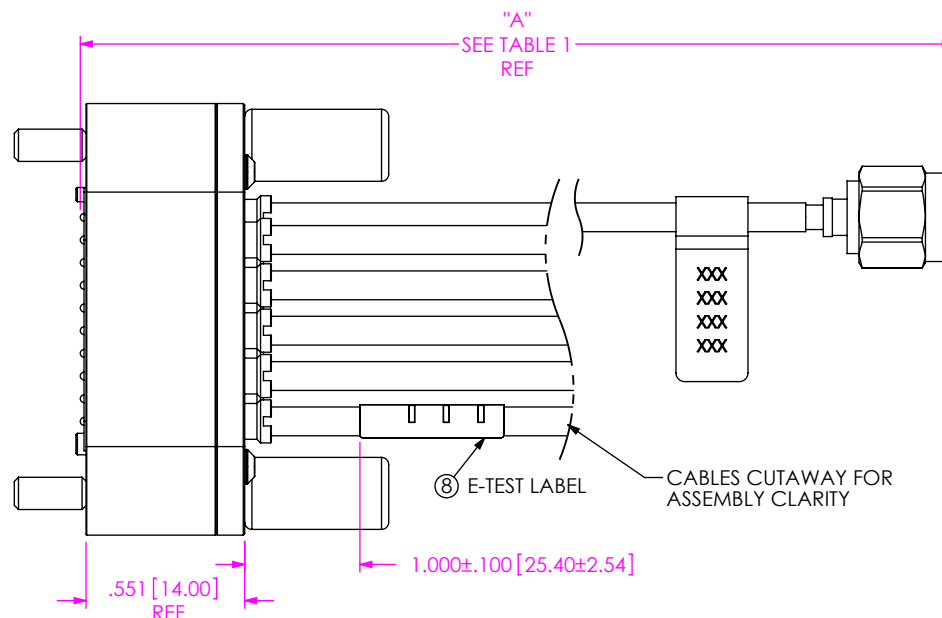
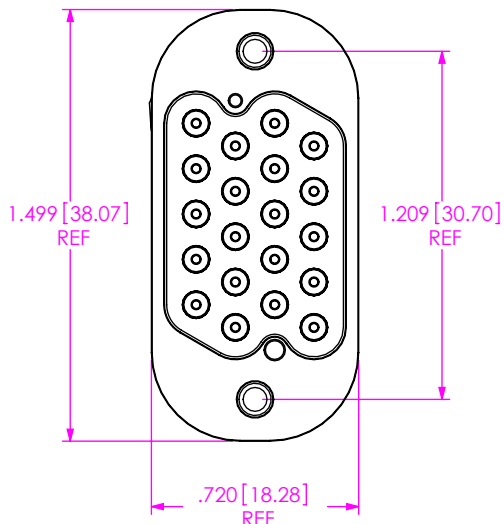


PHASE MATCHED
SEE NOTES FOR DETAILS



**THIS PRODUCT MANUFACTURED
WITH LEAD-FREE PROCESSING**

0	RS	J HOFFMAN
5/19/2015 ECN-251297		
RELEASE FOR LIMITED PRODUCTION		



RELEASED FOR LIMITED PRODUCTION

USE FOR QUOTING, PRELIMINARY DESIGN, INITIAL BUILDS AND INFORMATIONAL PURPOSES ONLY

TABLE 1

PART #	SUB PART #	"A"	PHASE MATCH SPEC (PAIRS)
HDR-187150-01-BEYE	SUB-HDR-173594-05	24.00 [609.6]	4 PS

HDR-187150-XX-BEYE BOM

ITEM NO.	PART NUMBER	DESCRIPTION	QUANTITY	MATERIAL
1	SEE TABLE 1	SUB ASSEMBLY	20	SUB ASSEMBLY
2	CCS-159771-01-MD	CONNECTOR BODY	1	PLASTIC - VECTRA
3	CCS-159772-01-MD	COVER	1	ZINC
4	CCS-148582-01-MD	ELASTOMER	1	LAIRD ECE#89
5	STS-01	FASTENER	4	LOW CARBON STEEL
6	CCS-141062-01-MP	THUMBSCREW	2	BRASS
7	HDRL-16	LABEL	20	VINYL W/ ADHESIVE
8	LABEL-ET	E-TEST LABEL	1	VINYL W/ ADHESIVE
9	BG-09-12	ESD BAG	1	METALIZED PLY ETHYLENE
10	BG-02-03-Z	ESD BAG	1	METALIZED PLY ETHYLENE
11	CCS-178045-01-MP	PEM NUT	2	BRASS

NOTES:

- NOT AVAILABLE AS STANDARD
- ⊗ REPRESENTS A CRITICAL DIMENSION.
- PARTS TO BE PROCESSED PER SAMTEC BOUNDARY DOCUMENT GUIDELINES.
- ALL ASSEMBLIES TO BE 100% ELECTRICALLY TESTED.
- SEE SHEET 2 FOR PHASE MATCHING REQUIREMENTS.
- TIGHTEN ITEM 5 FASTENERS TO 2.0-2.3 IN-LBS (4 PLCS)
- PRINT CABLE POSITION (4 LINES PER LABEL) AND APPLY TO CABLES (TAG STYLE) AS SHOWN. LABELS CAN BE ORIENTED IN ANY DIRECTION.

CI-D-ET ⊗

TOLERANCES DO NOT APPLY TO REFERENCE DIMENSIONS, UNLESS OTHERWISE SPECIFIED, DIMENSIONS ARE IN INCHES.
TOLERANCES ARE:
DECIMALS .XX: ±.01 [.3]
.XXX: ±.005 [.13]
.XXXX: ±.0020 [.051]

PROPRIETARY NOTE

THIS DOCUMENT CONTAINS INFORMATION CONFIDENTIAL AND PROPRIETARY TO SAMTEC, INC. AND SHALL NOT BE REPRODUCED OR TRANSFERRED TO OTHER DOCUMENTS OR DISCLOSED TO OTHERS OR USED FOR ANY PURPOSE OTHER THAN THAT WHICH IT WAS OBTAINED WITHOUT THE EXPRESSED WRITTEN CONSENT OF SAMTEC, INC.



520 PARK EAST BLVD, NEW ALBANY, IN 47150
PHONE: 812-944-6733 FAX: 812-948-5047
e-Mail info@SAMTEC.com code 55322

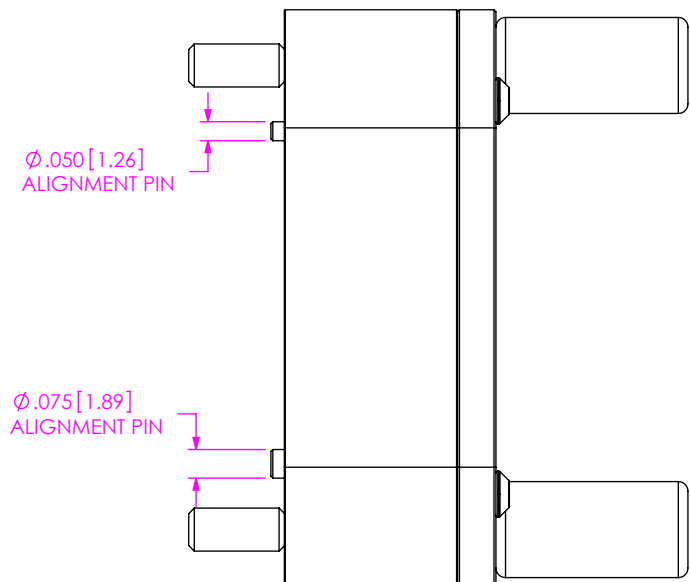
DO NOT SCALE DRAWING SHEET SCALE: 1:1

DESCRIPTION: CUSTOM HDR CABLE ASSEMBLY

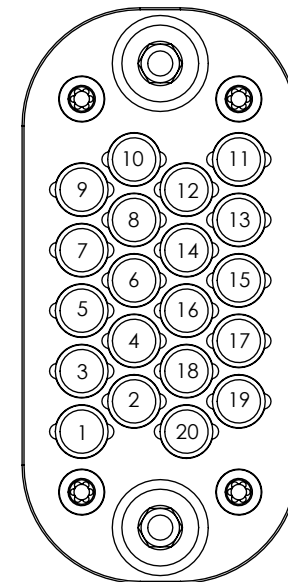
DWG. NO. HDR-187150-XX-BEYE

BY: RMSANTOS 05/19/2015 SHEET 1 OF 6

CAUTION: EACH PAIR OF CABLES MUST BE PHASE MATCHED PER TABLE 1. IF RE-WORKED, THE ENTIRE PAIR MUST BE REPLACED.



PHASED MATCH PAIRS		
LOCATION	DESCRIPTION	PAIR NO.
1	TX0-P	1
2	TX0-N	1
3	RX0-P	2
4	RX0-N	2
5	TX1-P	3
6	TX1-N	3
7	RX1-P	4
8	RX1-N	4
9	TX2-P	5
10	TX2-N	5
11	RX2-P	6
12	RX2-N	6
13	TX3-P	7
14	TX3-N	7
15	RX3-P	8
16	RX3-N	8
17	CLK0-P	9
18	CLK0-N	9
19	CLK1-P	10
20	CLK1-N	10



PROPRIETARY NOTE

THIS DOCUMENT CONTAINS INFORMATION CONFIDENTIAL AND PROPRIETARY TO SAMTEC, INC. AND SHALL NOT BE REPRODUCED OR TRANSFERRED TO OTHER DOCUMENTS OR DISCLOSED TO OTHERS OR USED FOR ANY PURPOSE OTHER THAN THAT WHICH IT WAS OBTAINED WITHOUT THE EXPRESSED WRITTEN CONSENT OF SAMTEC, INC.

DO NOT SCALE DRAWING

SHEET SCALE: 1:1

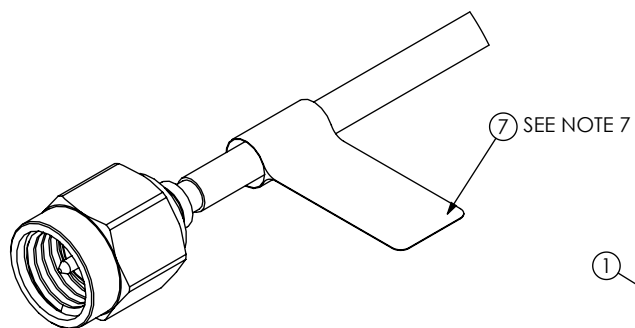
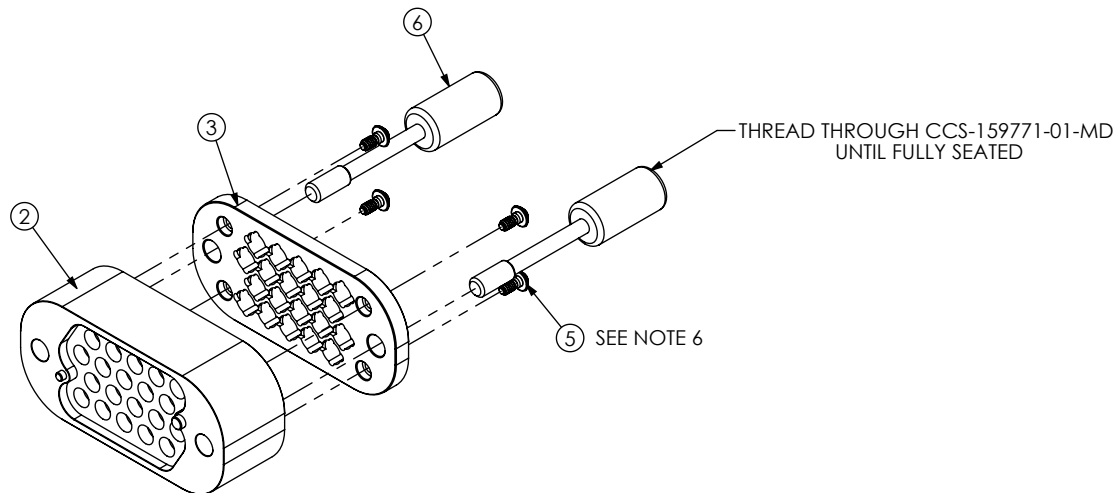


520 PARK EAST BLVD., NEW ALBANY, IN 47150
PHONE: 812-944-6733 FAX: 812-948-5047
e-Mail info@SAMTEC.com code 55322

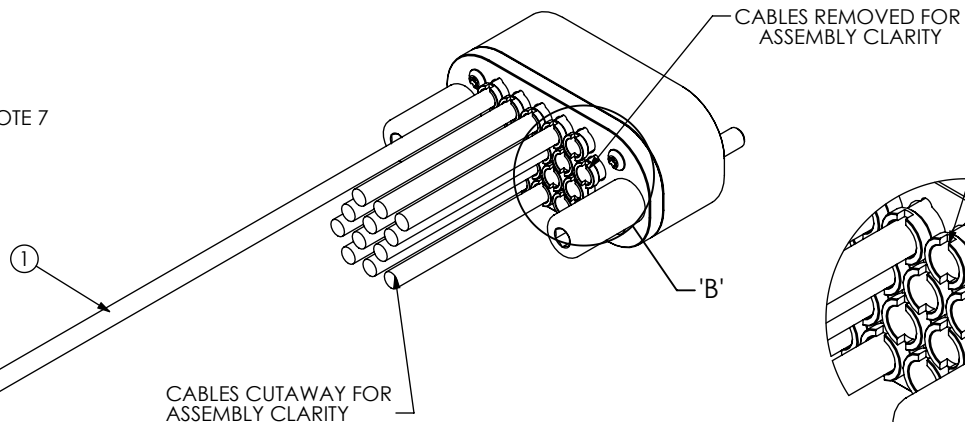
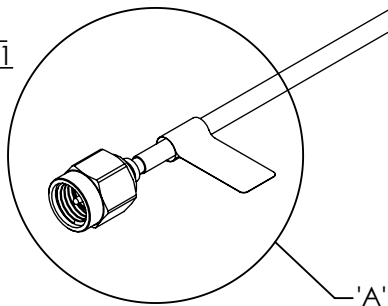
DESCRIPTION: CUSTOM HDR CABLE ASSEMBLY

DWG. NO. HDR-187150-XX-BEYE

BY: RMSANTOS 05/19/2015 SHEET 2 OF 6



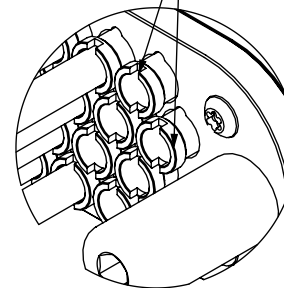
DETAIL 'A'
SCALE 2:1



CABLES CUTAWAY FOR
ASSEMBLY CLARITY

CABLES REMOVED FOR
ASSEMBLY CLARITY

ALL TOOL FLATS MUST BE ALIGNED
(PUSH IN WITH INSERTION
TOOL AND TURN 90°)



DETAIL 'B'
SCALE 2:1

PROPRIETARY NOTE

THIS DOCUMENT CONTAINS INFORMATION
CONFIDENTIAL AND PROPRIETARY TO
SAMTEC, INC. AND SHALL NOT BE REPRODUCED
OR TRANSFERRED TO OTHER DOCUMENTS OR
DISCLOSED TO OTHERS OR USED FOR ANY
PURPOSE OTHER THAN THAT WHICH IT WAS
OBTAINED WITHOUT THE EXPRESSED WRITTEN
CONSENT OF SAMTEC, INC.

DO NOT SCALE DRAWING

SHEET SCALE: 1:2



520 PARK EAST BLVD, NEW ALBANY, IN 47150
PHONE: 812-944-6733 FAX: 812-948-5047
e-Mail info@SAMTEC.com code 55322

DESCRIPTION:
CUSTOM HDR CABLE ASSEMBLY

DWG. NO.

HDR-187150-XX-BEYE

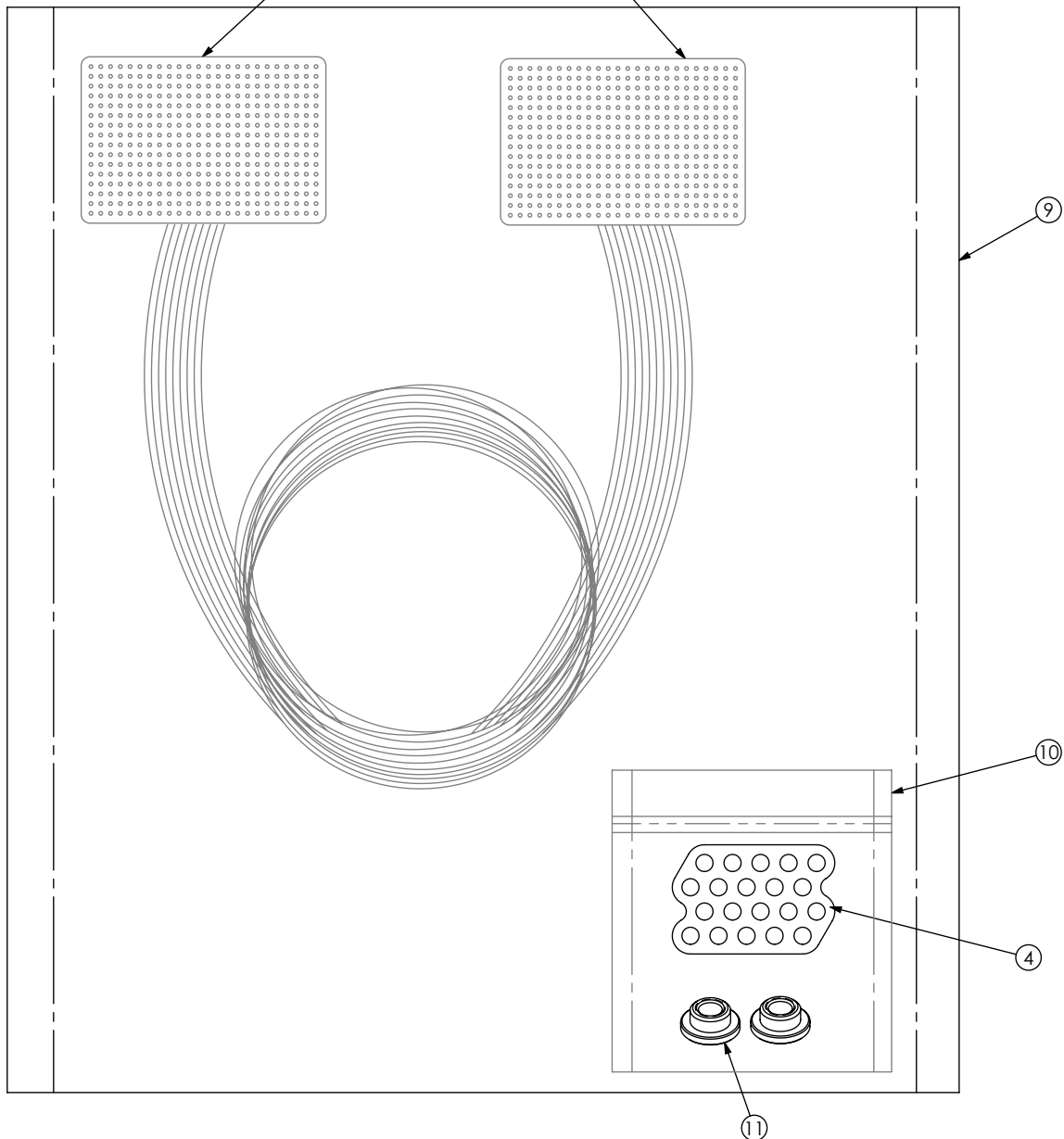
BY: RMSANTOS 05/19/2015 SHEET 3 OF 6

PACKAGING VIEW

PATENT NUMBER
7,544,093

INCLUDE ITEM 4 IN BAG WITH FINISHED ASSEMBLY AS SHOWN

ENDS OF CABLE ASSEMBLY TO BE WRAPPED
IN ANTI-STATIC BUBBLE WRAP



PROPRIETARY NOTE

THIS DOCUMENT CONTAINS INFORMATION CONFIDENTIAL AND PROPRIETARY TO SAMTEC, INC. AND SHALL NOT BE REPRODUCED OR TRANSFERRED TO OTHER DOCUMENTS OR DISCLOSED TO OTHERS OR USED FOR ANY PURPOSE OTHER THAN THAT WHICH IT WAS OBTAINED WITHOUT THE EXPRESSED WRITTEN CONSENT OF SAMTEC, INC.

DO NOT SCALE DRAWING

SHEET SCALE: 1:2



520 PARK EAST BLVD, NEW ALBANY, IN 47150
PHONE: 812-944-6733 FAX: 812-948-5047
e-Mail info@SAMTEC.com code 55322

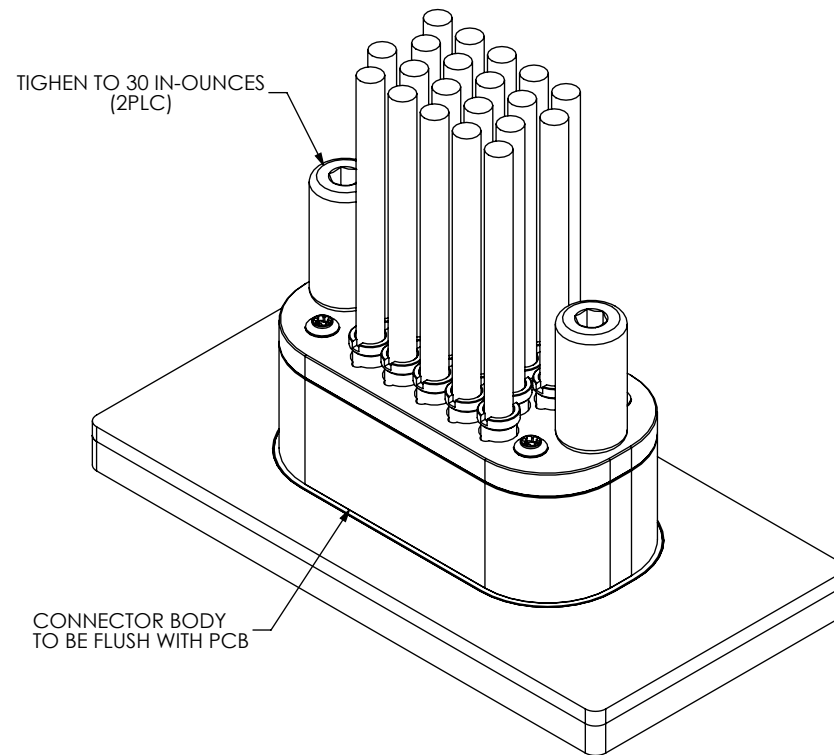
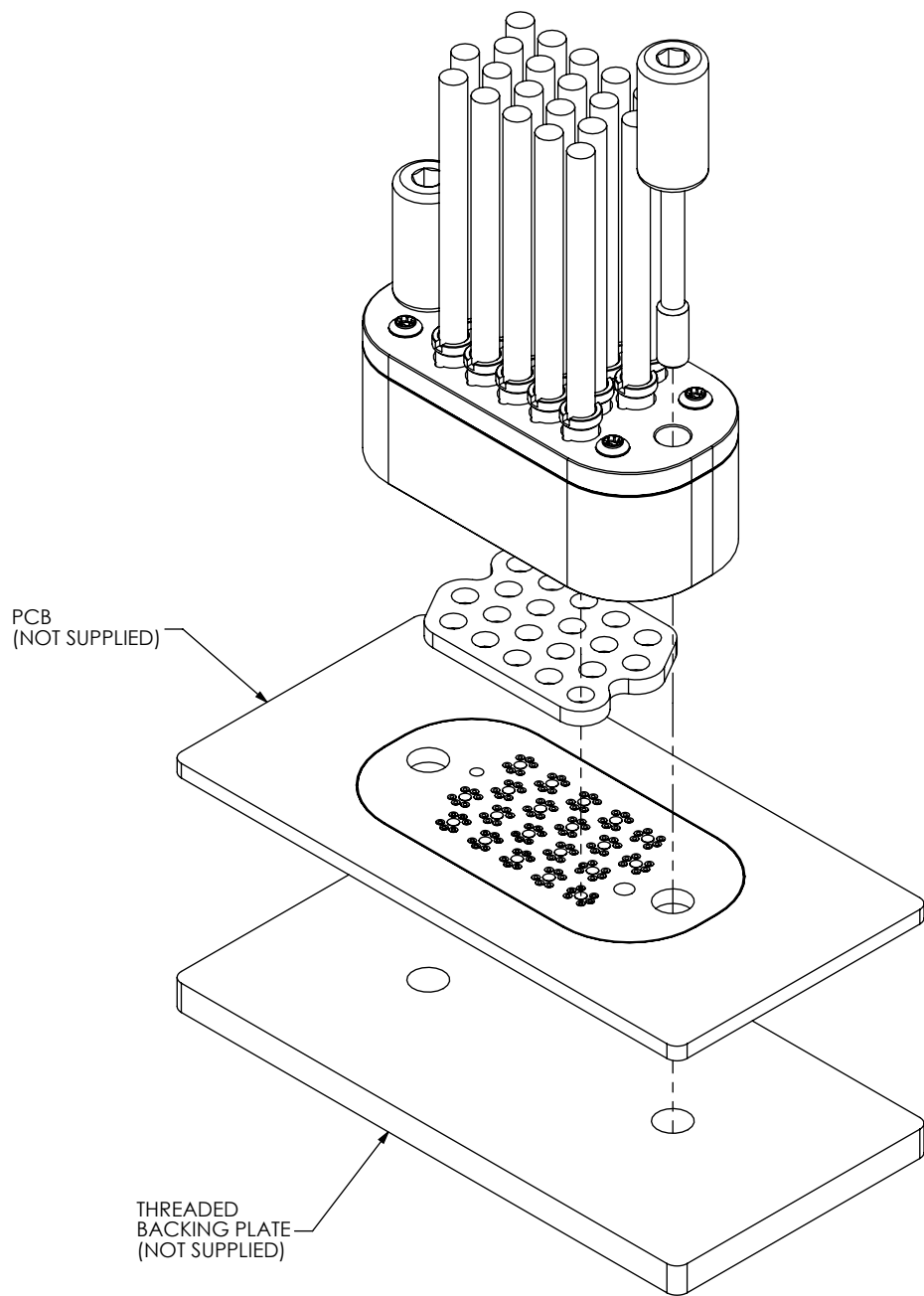
DESCRIPTION:
CUSTOM HDR CABLE ASSEMBLY

DWG. NO.
HDR-187150-XX-BEYE

BY: RMSANTOS 05/19/2015 SHEET 4 OF 6

APPLICATION VIEW

REVISION 0



PROPRIETARY NOTE

THIS DOCUMENT CONTAINS INFORMATION CONFIDENTIAL AND PROPRIETARY TO SAMTEC, INC. AND SHALL NOT BE REPRODUCED OR TRANSFERRED TO OTHER DOCUMENTS OR DISCLOSED TO OTHERS OR USED FOR ANY PURPOSE OTHER THAN THAT WHICH IT WAS OBTAINED WITHOUT THE EXPRESSED WRITTEN CONSENT OF SAMTEC, INC.

DO NOT SCALE DRAWING

SHEET SCALE: 1:2

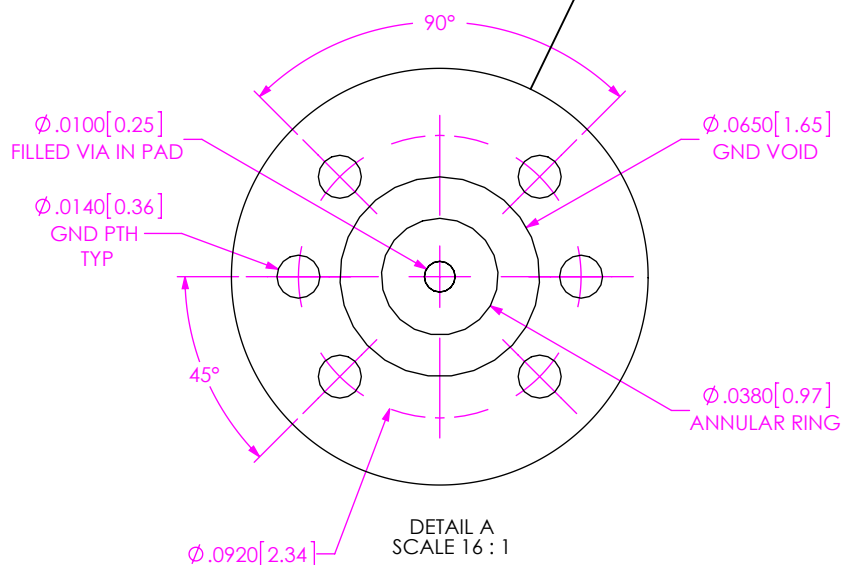
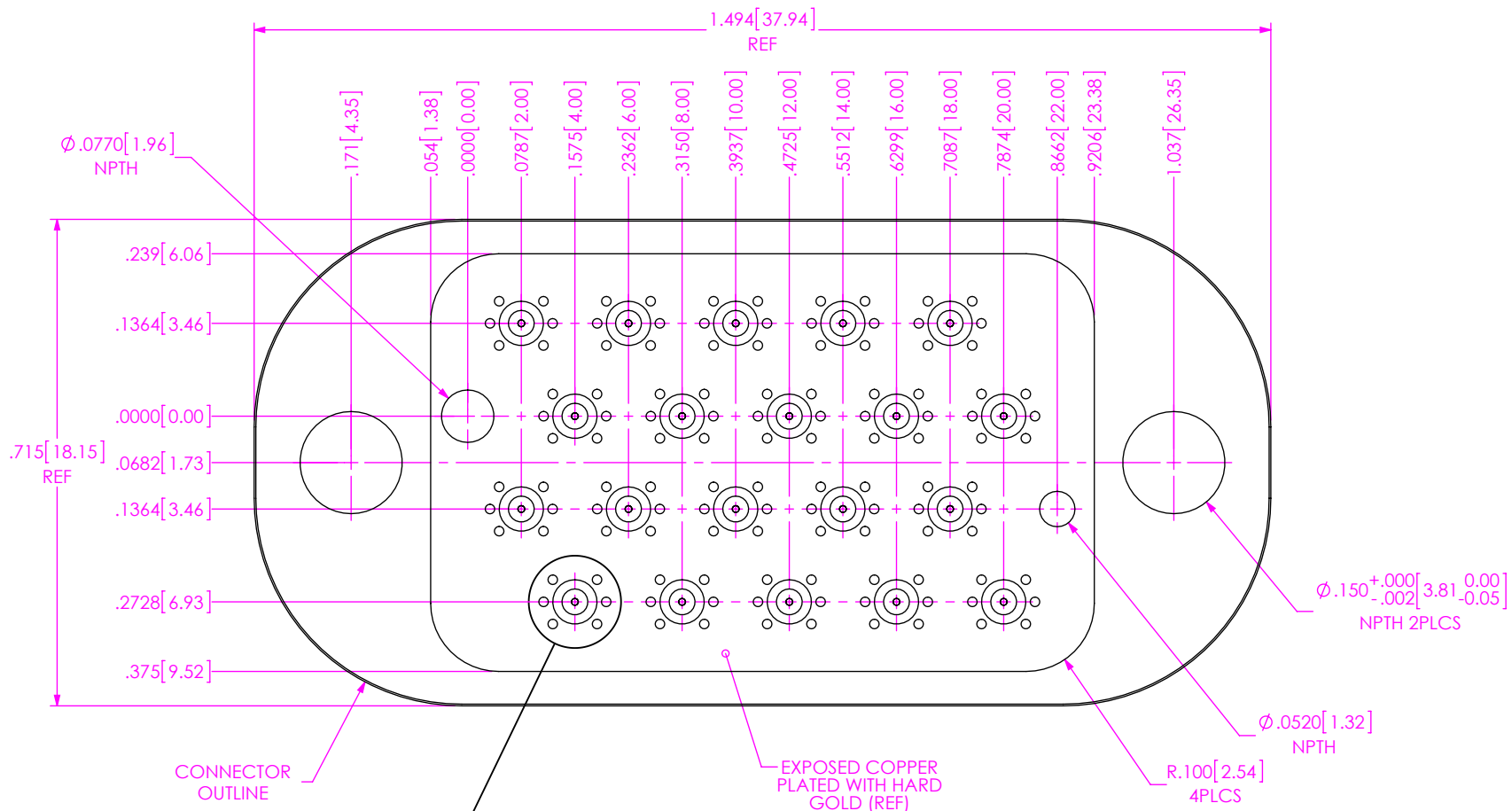


520 PARK EAST BLVD., NEW ALBANY, IN 47150
PHONE: 812-944-6733 FAX: 812-948-5047
e-Mail info@SAMTEC.com code 55322

DESCRIPTION:
CUSTOM HDR CABLE ASSEMBLY

DWG. NO.
HDR-187150-XX-BEYE

BY: RMSANTOS 05/19/2015 SHEET 5 OF 6



FOOTPRINT LAYOUT (REF)
 1. ALL SIGNAL VIAS BACKDRILLED
 2. ALL EXPOSED COPPER PLATED 30 MICROINCHES HARD GOLD

<p>PROPRIETARY NOTE THIS DOCUMENT CONTAINS INFORMATION CONFIDENTIAL AND PROPRIETARY TO SAMTEC, INC. AND SHALL NOT BE REPRODUCED OR TRANSFERRED TO OTHER DOCUMENTS OR DISCLOSED TO OTHERS OR USED FOR ANY PURPOSE OTHER THAN THAT WHICH IT WAS OBTAINED WITHOUT THE EXPRESSED WRITTEN CONSENT OF SAMTEC, INC.</p>	<p>samtec 520 PARK EAST BLVD, NEW ALBANY, IN 47150 PHONE: 812-944-6733 FAX: 812-948-5047 e-Mail info@SAMTEC.com code 55322</p>	
	<p>DO NOT SCALE DRAWING</p>	<p>DESCRIPTION: CUSTOM HDR CABLE ASSEMBLY</p>
<p>SHEET SCALE: 2:1</p>	<p>DWG. NO. HDR-187150-XX-BEYE</p>	
<p>BY: RMSANTOS 05/19/2015 SHEET 6 OF 6</p>		