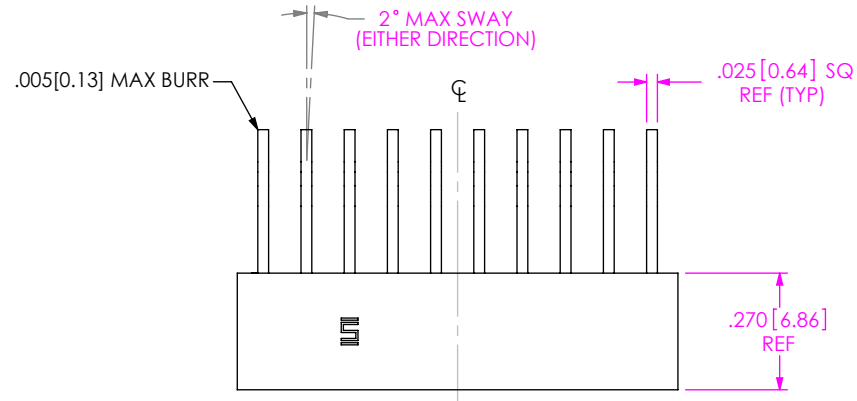


DO NOT SCALE FROM THIS PRINT

IPT1-1XX-XX-XX-D-DH-A-XX



No OF POS PER ROW
-04 THRU -25

LEAD STYLE
-01

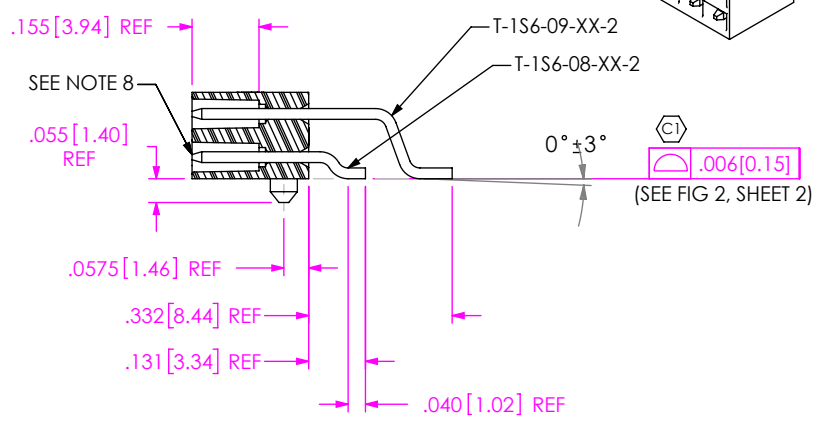
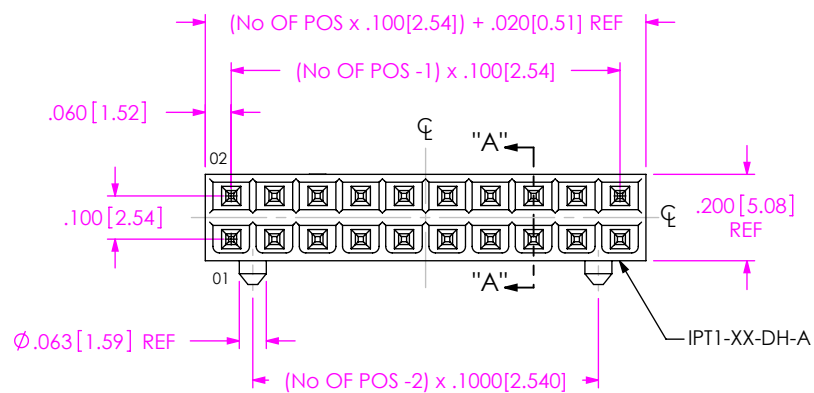
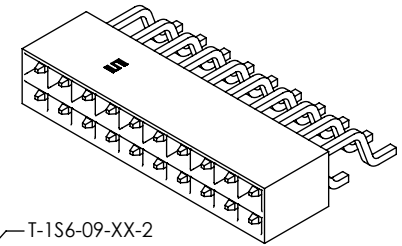
OPTIONS
-PL: POSITION #1 REMOVED (USE IPT1-XX-DH-P) (SEE NOTE 10)
-TR: TAPE AND REEL PACKAGING

ALIGNMENT PINS

TAIL OPTION
-DH: DOUBLE HORIZONTAL

ROW SPECIFICATION
-D: DOUBLE (USE IPT1-XX-DH-A)

PLATING SPECIFICATION
-T: TIN (USE T-1S6-08-T-2 & T-1S6-09-T-2)
-S: SELECTIVE GOLD (USE T-1S6-08-S-2 & T-1S6-09-S-2)
-TM: MATTE TIN TAIL (USE T-1S6-08-T-2 & T-1S6-09-T-2)
-SM: SELECTIVE GOLD, MATTE TIN TAIL (USE T-1S6-08-S-2 & T-1S6-09-S-2)
-L: LIGHT SELECTIVE GOLD, MATTE TIN TAIL (USE T-1S6-08-L-2 & T-1S6-09-L-2)



SECTION "A"- "A"

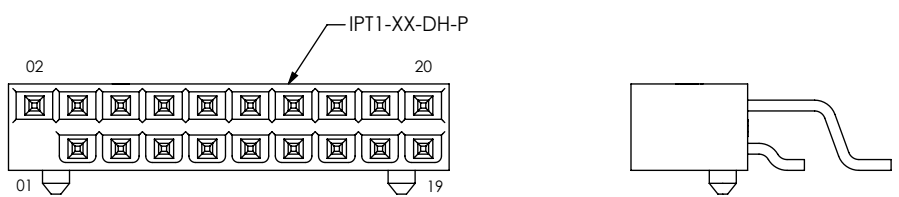
FIG 1

IPT1-110-01-XX-D-DH-A SHOWN

NOTES:

1. Ⓢ REPRESENTS A CRITICAL DIMENSION.
2. NOTE DELETED
3. MINIMUM TERMINAL PUSH OUT FORCE: 2 lbs.
4. MAXIMUM VARIATION BETWEEN PIN ROWS: .005[.13].
5. NOTE DELETED
6. ALL DIMENSIONS TO BE ABOUT CENTERLINE WITHIN +/- .005[.13].
7. NOTE DELETED.
8. PINS TO BE FLUSH TO .010[0.25] BELOW TOP OF SHROUD.
9. SHEAR TAILS TO DIMENSION SHOWN.
10. FOR EXISTING CUSTOMERS ONLY, -POL CAN BE SUBSTITUED FOR -PL.

-PL: POLARIZED OPTION
IPT1-110-01-X-D-DH-A-PL SHOWN

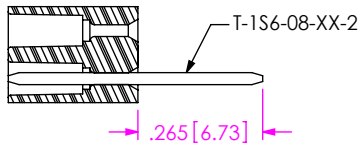


UNLESS OTHERWISE SPECIFIED, DIMENSIONS ARE IN INCHES.		<p>PROPRIETARY NOTE</p> <p>THIS DOCUMENT CONTAINS CONFIDENTIAL AND PROPRIETARY INFORMATION AND ALL DESIGN, MANUFACTURING, REPRODUCTION, USE, PATENT RIGHTS AND SALES RIGHTS ARE EXPRESSLY RESERVED BY SAMTEC, INC. THIS DOCUMENT SHALL NOT BE DISCLOSED, IN WHOLE OR PART, TO ANY UNAUTHORIZED PERSON OR ENTITY NOR REPRODUCED, TRANSFERRED OR INCORPORATED IN ANY OTHER PROJECT IN ANY MANNER WITHOUT THE EXPRESS WRITTEN CONSENT OF SAMTEC, INC.</p>	
TOLERANCES ARE:			
DECIMALS	ANGLES		
.XX: ±.01[.3]	± 2°		
.XXX: ±.005[.13]			
.XXXX: ±.0020[.051]			
MATERIAL:	DO NOT SCALE DRAWING	SHEET SCALE: 2.25:1	
INSULATOR: VECTRA E130i; COLOR: BLACK			
TERMINAL: PHOS BRONZE, 510, 3/4 HARD			

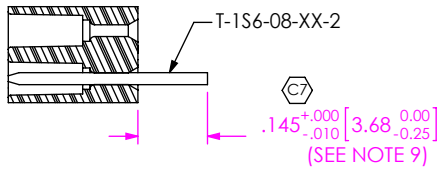
520 PARK EAST BLVD, NEW ALBANY, IN 47150
PHONE: 812-944-6733 FAX: 812-948-5047
e-Mail: info@SAMTEC.com code: 55322

DESCRIPTION:	.100 DOUBLE ROW, HORIZONTAL SHROUDED TERMINAL ASSM
DWG. NO.	IPT1-1XX-XX-XX-D-DH-A-XX
BY:	BRATCHER 11/15/02
	SHEET 1 OF 2

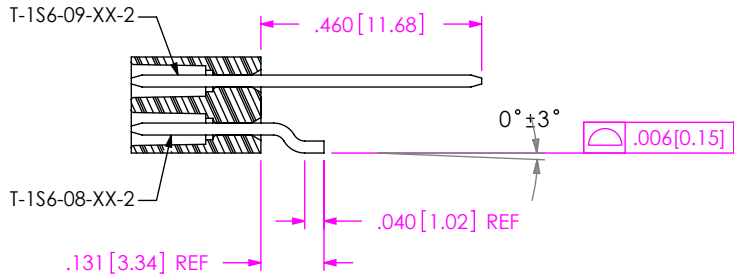
IN-PROCESS 1



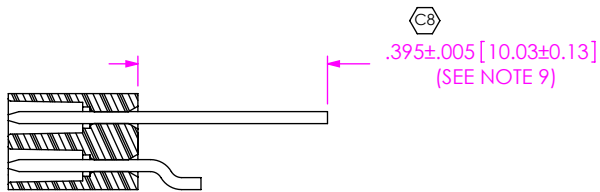
IN-PROCESS 2



IN-PROCESS 3



IN-PROCESS 4



IN-PROCESS 5

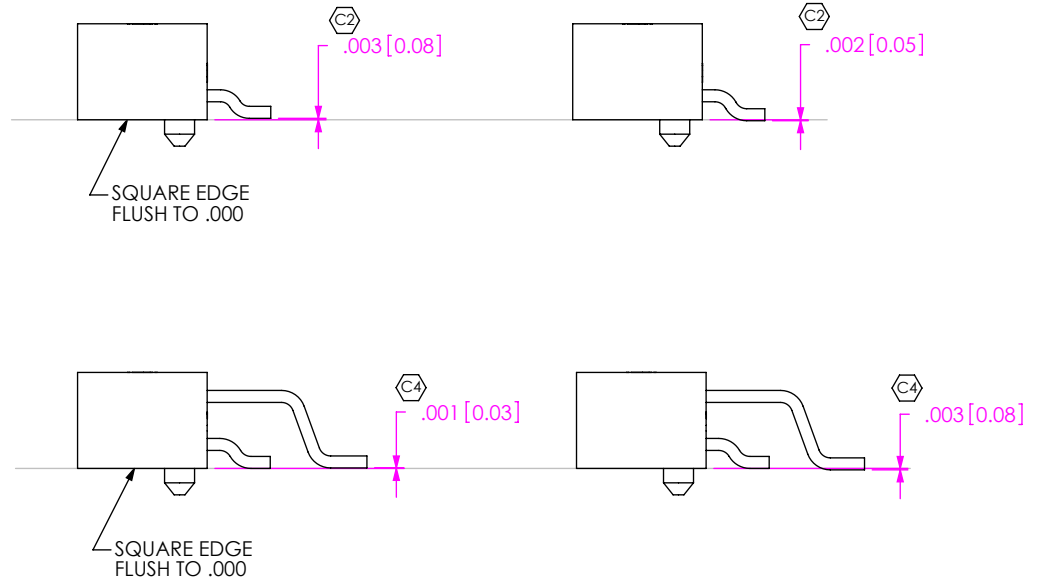
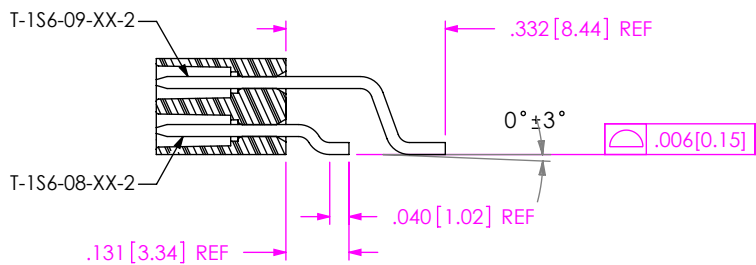
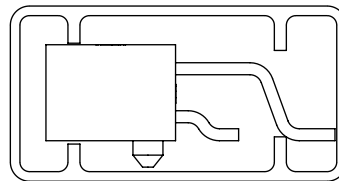


FIG 2
-DH: SURFACE MOUNT DIAGRAM

PACKAGING VIEW

(PARTS TO HAVE POSITION #1 LOADED IN
SAME DIRECTION AS ARROW ON TUBE)



TUBE: PT-1-24-15-29
PLUG: TP-07

PROPRIETARY NOTE

THIS DOCUMENT CONTAINS CONFIDENTIAL AND PROPRIETARY INFORMATION AND ALL DESIGN, MANUFACTURING, REPRODUCTION, USE, PATENT RIGHTS AND SALES RIGHTS ARE EXPRESSLY RESERVED BY SAMTEC, INC. THIS DOCUMENT SHALL NOT BE DISCLOSED, IN WHOLE OR PART, TO ANY UNAUTHORIZED PERSON OR ENTITY NOR REPRODUCED, TRANSFERRED OR INCORPORATED IN ANY OTHER PROJECT IN ANY MANNER WITHOUT THE EXPRESS WRITTEN CONSENT OF SAMTEC, INC.

DO NOT SCALE DRAWING

SHEET SCALE: 2.5:1



520 PARK EAST BLVD, NEW ALBANY, IN 47150
PHONE: 812-944-6733 FAX: 812-948-5047
e-Mail: info@SAMTEC.com code: 55322

DESCRIPTION:
.100 DOUBLE ROW, HORIZONTAL SHROUDED TERMINAL ASSM

DWG. NO.
IPT1-1XX-XX-XX-D-DH-A-XX

BY: BRATCHER 11/15/02 SHEET 2 OF 2