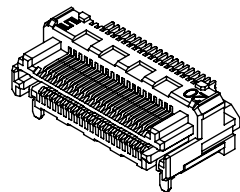
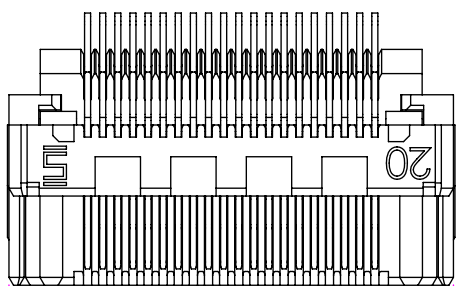


DESIGNED & DIMENSIONED  
IN MILLIMETERS [INCHES]

LSHM-1XX-XX-XXX-DH-A-X-X-XX

DO NOT  
SCALE FROM  
THIS PRINT



No OF POSITIONS  
-05, -10, -20, -30, -40, -50

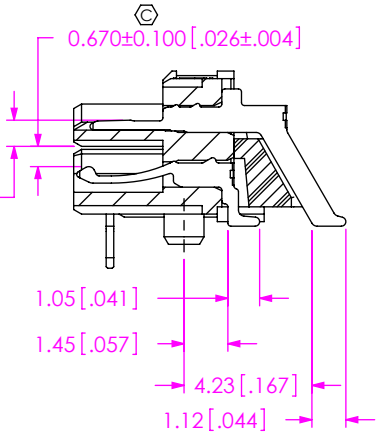
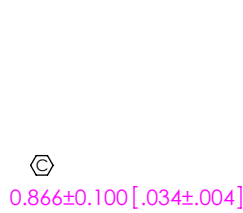
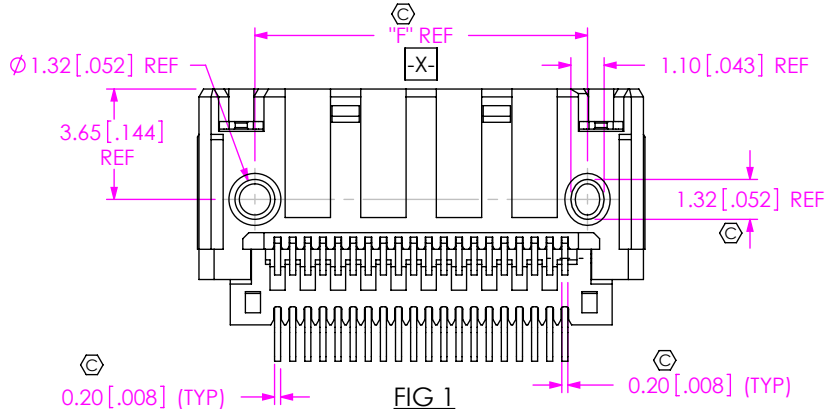
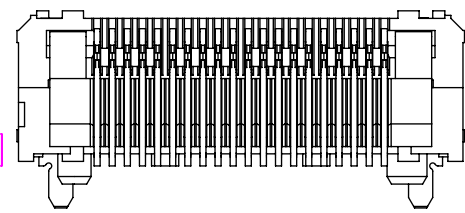
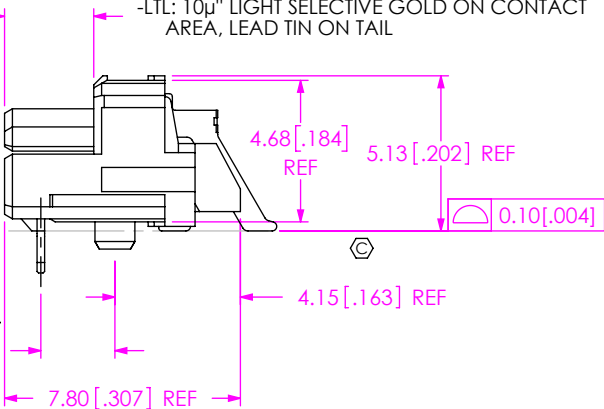
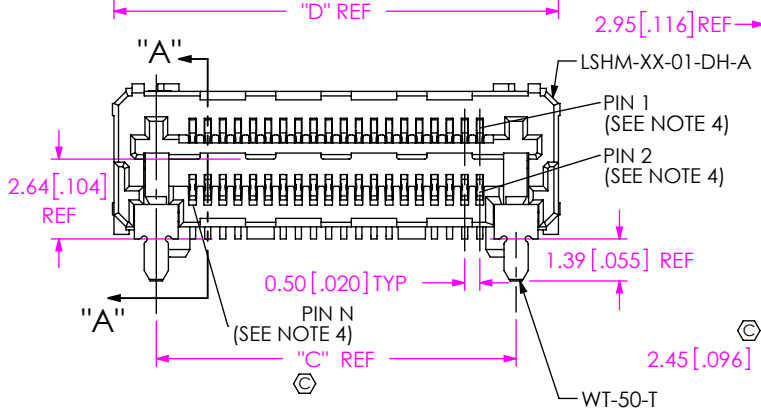
LEAD STYLE  
-01: RIGHT ANGLE ONLY  
-L1: LUBRICATED  
(SEE TABLE 2)

PLATING SPECIFICATION  
-L: 10µ" LIGHT SELECTIVE GOLD ON CONTACT AREA, MATTE TIN ON TAIL  
-F: 3µ" FLASH SELECTIVE GOLD ON CONTACT AREA, MATTE TIN ON TAIL  
-S: 30µ" FLASH SELECTIVE GOLD ON CONTACT AREA, MATTE TIN ON TAIL  
-H: 30µ" HEAVY GOLD ON CONTACT AREA, 3µ" GOLD ON TAIL  
-LTL: 10µ" LIGHT SELECTIVE GOLD ON CONTACT AREA, LEAD TIN ON TAIL

PACKAGING  
-TR: TAPE & REEL (SEE NOTE 6)  
-FR: FULL REEL QTY. TAPE & REEL (SEE NOTE 9)  
OPTION  
-K: POLYAMIDE FILM (USE K-DOT-.177-.281-.005) (NOT AVAILABLE WITH -05 POS WHEN -N OPTION SELECTED)

SHIELD  
-S: WITH SHIELD (NO WT IS TO BE USED)  
-N: WITHOUT SHIELD

TAIL OPTION  
-DH: RIGHT ANGLE



SECTION "A"- "A"  
SCALE 4 : 1

- NOTES:
1. Ⓢ REPRESENTS A CRITICAL DIMENSION.
  2. BURR ALLOWANCE: .038[.0015].
  3. MINIMUM PUSHOUT FORCE; TERMINALS: 2.22 N [.5 LBS], CONTACTS: 2.22 N [.5 LBS].
  4. WHEN MATING WITH ANOTHER LSHM-DH, PIN 01 WILL MATE WITH CONTACT 02 ON MATING CONNECTOR. WHEN MATING WITH A LSHM-DV, PIN 01 WILL MATE WITH PIN N, WHERE N=TOTAL NUMBER OF POSITIONS
  5. MEASURE FROM TOP OF VERTICAL WALL.
  6. -TR OPTION ORDERS INVOLVING PARTIAL REEL QUANTITIES MAY BE PACKAGED ACCORDING TO THE SAMTEC PACKAGING EFFICIENCY STANDARDS (SPES) FOUND ON WWW.SAMTEC.COM.
  7. FOR APPLICATIONS REQUIRING TWO OR MORE CONNECTORS PER BOARD, CONTACT IPG@SAMTEC.COM.
  8. USE -Z- DATUM ZONE ONLY FOR MEASUREMENTS.
  9. -FR OPTIONS WILL BE SHIPPED AT THE MAX QUANTITY PER REEL, BASED ON OPTIONS SELECTED

FIG 1  
LSHM-1XX-X1-XXX-DH-A-N-X-XX SHOWN

c:\enterprise\dwg\MISC\MKTG\LSHM-1XX-XX-XXX-DH-A-X-XX-MKT.SLDDRW

<p>UNLESS OTHERWISE SPECIFIED, DIMENSIONS ARE IN MILLIMETERS [INCHES]. TOLERANCES ARE: DECIMALS ANGLES X.X: ±0.3 [.01] X.XX: ±0.13 [.005] X.XXX: ±0.051 [.0020]</p>	<p>PROPRIETARY NOTE THIS DOCUMENT CONTAINS CONFIDENTIAL AND PROPRIETARY INFORMATION AND ALL DESIGN, MANUFACTURING, REPRODUCTION, USE, PATENT RIGHTS AND SALES RIGHTS ARE EXPRESSLY RESERVED BY SAMTEC, INC. THIS DOCUMENT SHALL NOT BE DISCLOSED, IN WHOLE OR PART, TO ANY UNAUTHORIZED PERSON OR ENTITY NOR REPRODUCED, TRANSFERRED OR INCORPORATED IN ANY OTHER PROJECT IN ANY MANNER WITHOUT THE EXPRESS WRITTEN CONSENT OF SAMTEC, INC.</p>	<p><b>samtec</b> 520 PARK EAST BLVD. NEW ALBANY, IN 47150 PHONE: 812-944-6733 FAX: 812-948-5047 e-Mail info@SAMTEC.com code 55322</p>
<p>MATERIAL: DO NOT SCALE DRAWING INSULATOR: BLACK, LCP, UL 94 V0 TERMINAL: PHOS BRONZE SHIELD: STAINLESS STEEL WELD TAB: COPPER</p>	<p>SHEET SCALE: 1:0.2</p>	<p>DESCRIPTION: 0.50mm TERMINAL/SOCKET COMBO DWG. NO. LSHM-1XX-XX-XXX-DH-A-X-X-XX BY: AGEN H 10/30/2008 SHEET 1 OF 5</p>

TABLE 1					
No OF POS	"C"	"D"	"E"	"F"	"G"
-05	4.40 [0.173]	7.20 [0.283]	7.45 [0.293]	3.50 [0.138]	1.35 [0.053]
-10	6.90 [0.272]	9.70 [0.382]	9.95 [0.392]	6.00 [0.236]	2.60 [0.102]
-20	11.90 [0.469]	14.70 [0.579]	14.95 [0.589]	11.00 [0.433]	5.10 [0.201]
-30	16.90 [0.665]	19.70 [0.776]	19.95 [0.785]	16.00 [0.630]	7.60 [0.299]
-40	21.90 [0.862]	24.70 [0.972]	24.95 [0.982]	21.00 [0.827]	10.10 [0.398]
-50	26.90 [1.059]	29.70 [1.169]	29.95 [1.179]	26.00 [1.024]	12.60 [0.496]

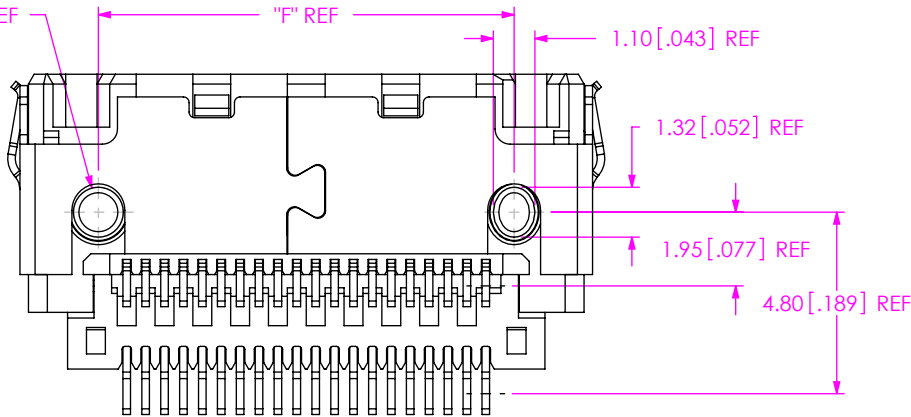
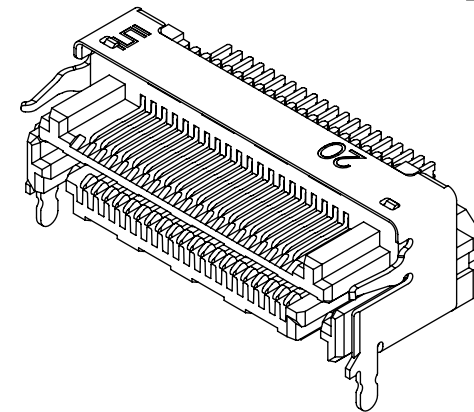
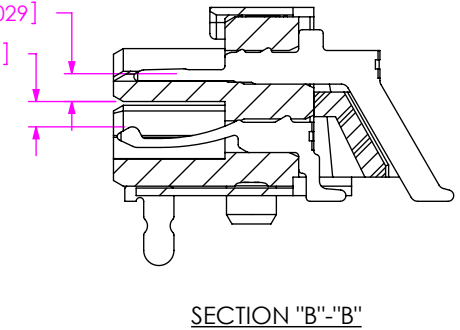
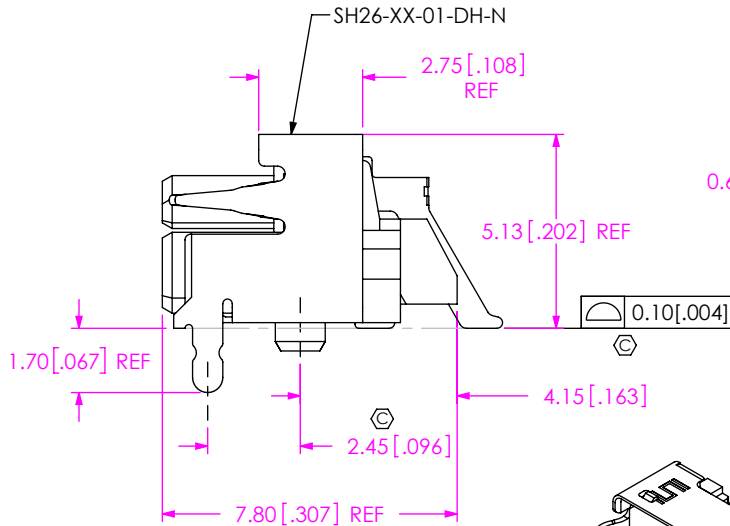
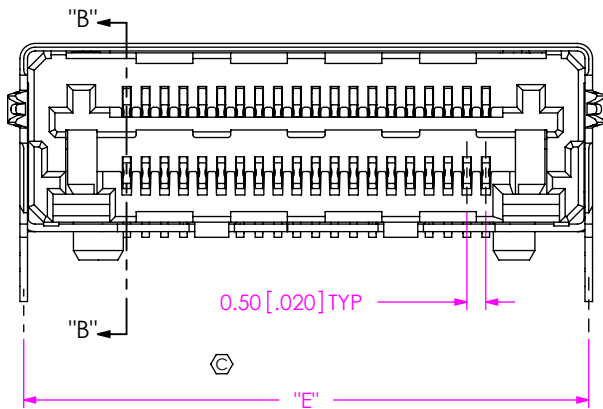
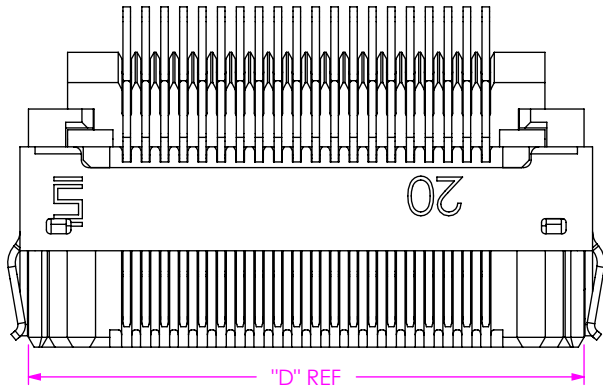


FIG 2  
(SHIELD OPTION)  
LSHM-1XX-X1-XXX-DH-A-S-XX-XX SHOWN

**PROPRIETARY NOTE**  
THIS DOCUMENT CONTAINS CONFIDENTIAL AND PROPRIETARY INFORMATION AND ALL DESIGN, MANUFACTURING, REPRODUCTION, USE, PATENT RIGHTS AND SALES RIGHTS ARE EXPRESSLY RESERVED BY SAMTEC, INC. THIS DOCUMENT SHALL NOT BE DISCLOSED, IN WHOLE OR PART, TO ANY UNAUTHORIZED PERSON OR ENTITY NOR REPRODUCED, TRANSFERRED OR INCORPORATED IN ANY OTHER PROJECT IN ANY MANNER WITHOUT THE EXPRESS WRITTEN CONSENT OF SAMTEC, INC.

DO NOT SCALE DRAWING  
SHEET SCALE: 1:0.2



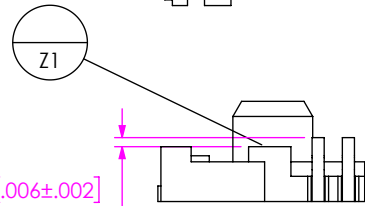
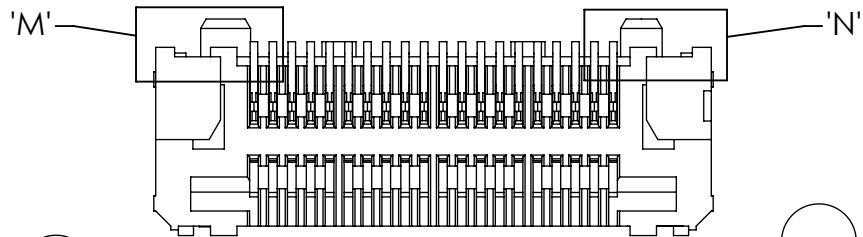
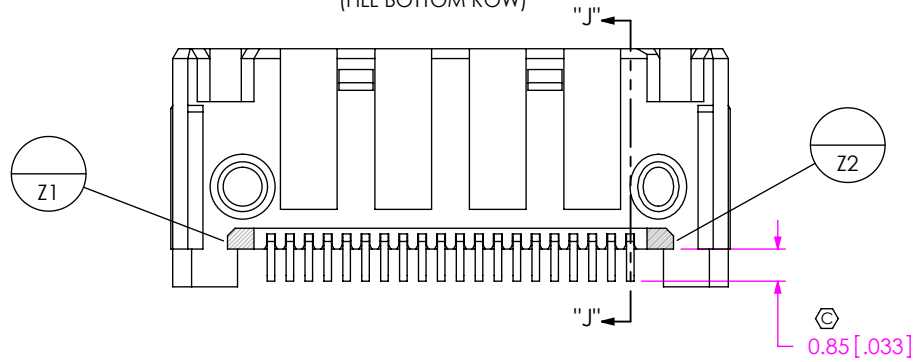
520 PARK EAST BLVD, NEW ALBANY, IN 47150  
PHONE: 812-944-6733 FAX: 812-948-5047  
e-Mail: info@SAMTEC.com code 55322

DESCRIPTION:  
0.50mm TERMINAL/SOCKET COMBO

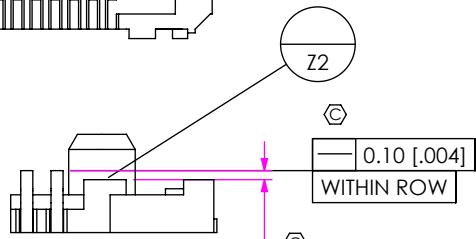
DWG. NO.  
LSHM-1XX-XX-XXX-DH-A-X-X-XX

BY: AGEN H 10/30/2008 SHEET 2 OF 5

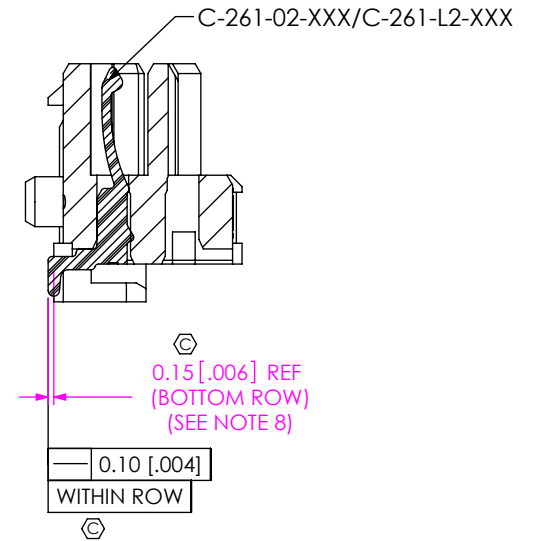
INSPECTION VIEW 1  
(FILL BOTTOM ROW)



DETAIL 'M'  
SCALE 8 : 1



DETAIL 'N'  
SCALE 8 : 1



SECTION "

FIG 4  
(IN PROCESS 1)  
(SEE INSPECTION VIEW 1 FOR ORIENTATION AND CPC'S)

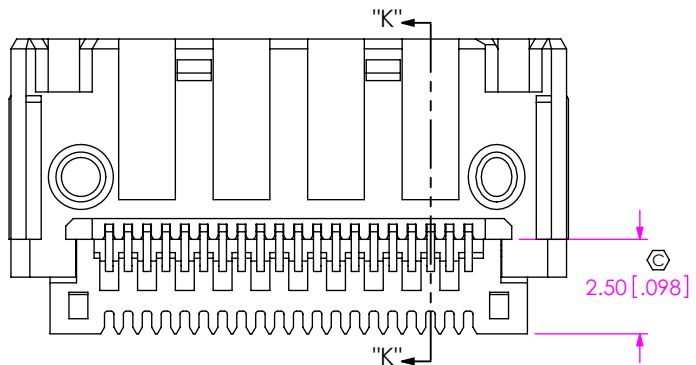
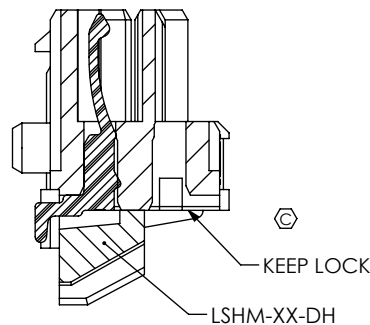


FIG 5  
(IN PROCESS 2)



SECTION "K"- "K"

**PROPRIETARY NOTE**  
THIS DOCUMENT CONTAINS CONFIDENTIAL AND PROPRIETARY INFORMATION AND ALL DESIGN, MANUFACTURING, REPRODUCTION, USE, PATENT RIGHTS AND SALES RIGHTS ARE EXPRESSLY RESERVED BY SAMTEC, INC. THIS DOCUMENT SHALL NOT BE DISCLOSED, IN WHOLE OR PART, TO ANY UNAUTHORIZED PERSON OR ENTITY NOR REPRODUCED, TRANSFERRED OR INCORPORATED IN ANY OTHER PROJECT IN ANY MANNER WITHOUT THE EXPRESS WRITTEN CONSENT OF SAMTEC, INC.



520 PARK EAST BLVD, NEW ALBANY, IN 47150  
PHONE: 812-944-6733 FAX: 812-948-5047  
e-Mail: info@SAMTEC.com code 55322

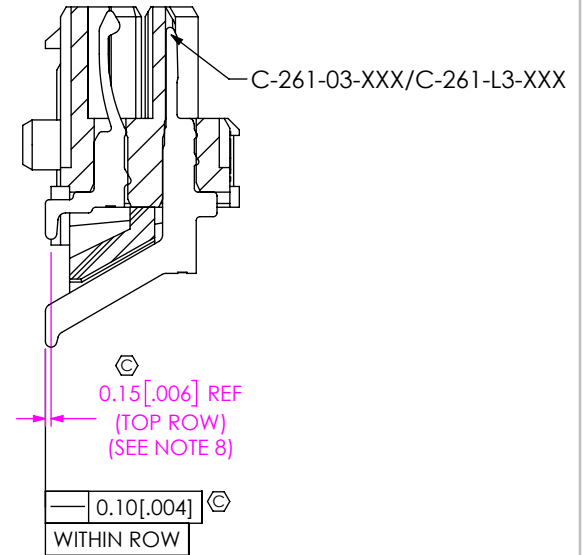
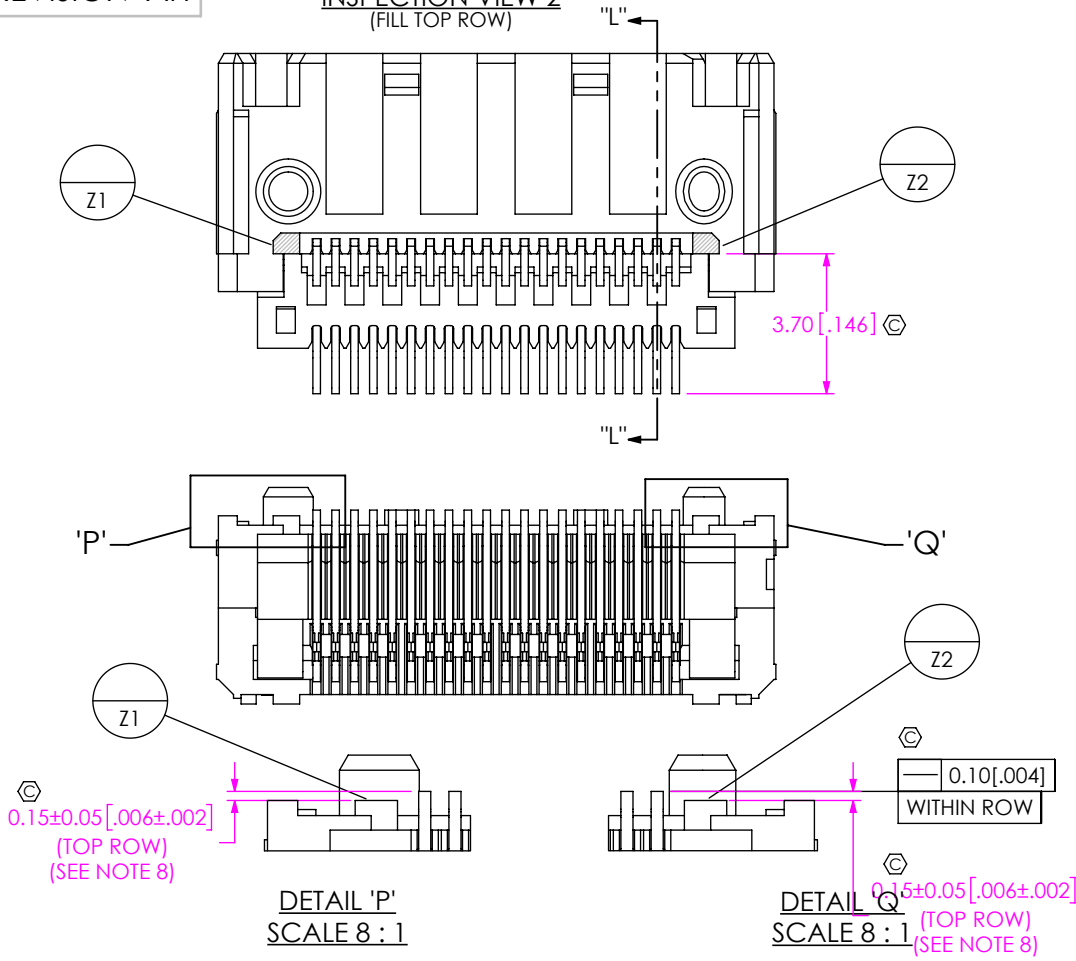
DO NOT SCALE DRAWING  
SHEET SCALE: 5:1

DESCRIPTION:  
0.50mm TERMINAL/SOCKET COMBO

DWG. NO.  
LSHM-1XX-XX-XXX-DH-A-X-X-XX

BY: AGEN H 10/30/2008 SHEET 3 OF 5

INSPECTION VIEW 2  
(FILL TOP ROW)



SECTION "L"-"L"

FIG 6  
(IN PROCESS 3)  
(SEE INSPECTION VIEW 2 FOR ORIENTATION AND CPC'S)

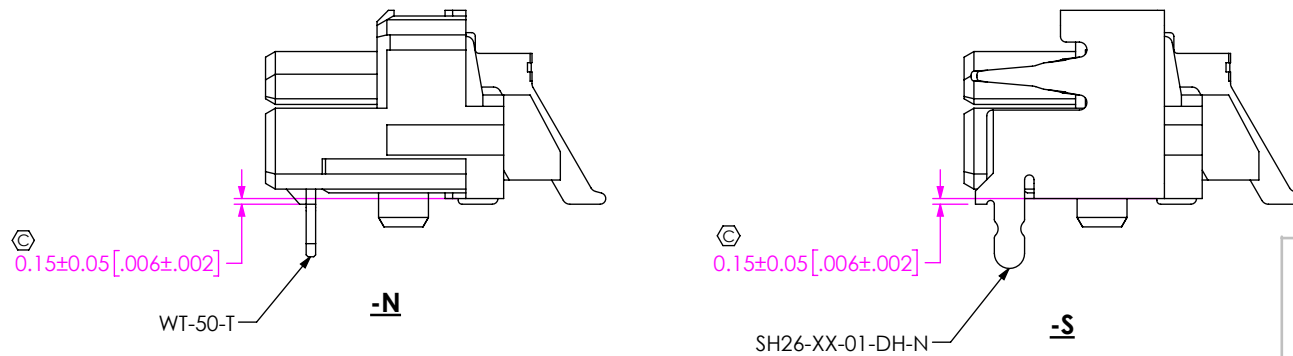


FIG 7  
(IN PROCESS 4)

**PROPRIETARY NOTE**  
THIS DOCUMENT CONTAINS CONFIDENTIAL AND PROPRIETARY INFORMATION AND ALL DESIGN, MANUFACTURING, REPRODUCTION, USE, PATENT RIGHTS AND SALES RIGHTS ARE EXPRESSLY RESERVED BY SAMTEC, INC. THIS DOCUMENT SHALL NOT BE DISCLOSED, IN WHOLE OR PART, TO ANY UNAUTHORIZED PERSON OR ENTITY NOR REPRODUCED, TRANSFERRED OR INCORPORATED IN ANY OTHER PROJECT IN ANY MANNER WITHOUT THE EXPRESS WRITTEN CONSENT OF SAMTEC, INC.

DO NOT SCALE DRAWING  
SHEET SCALE: 5:1



520 PARK EAST BLVD, NEW ALBANY, IN 47150  
PHONE: 812-944-6733 FAX: 812-948-5047  
e-Mail: info@SAMTEC.com code 55322

DESCRIPTION:  
0.50mm TERMINAL/SOCKET COMBO

DWG. NO.  
LSHM-1XX-XX-XXX-DH-A-X-X-XX

BY: AGEN H 10/30/2008 SHEET 4 OF 5

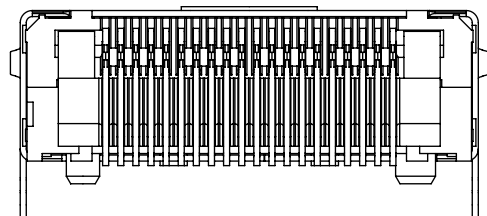
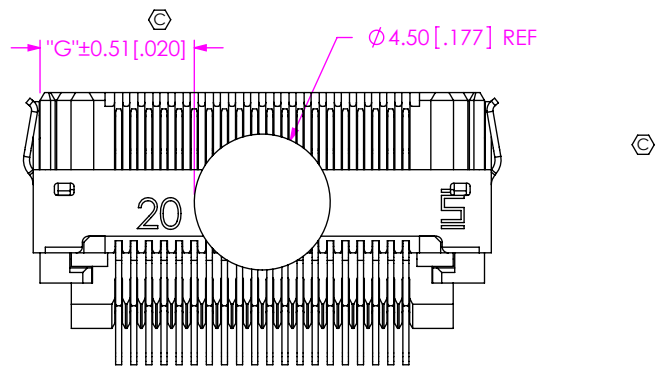


FIG 8  
LSHM-1XX-X1-XXX-DH-A-S-XX-XX SHOWN

**TABLE 2**

LEAD STYLE	CONTACT
-01	C-261-02-XXX
	C-261-03-XXX
-L1	C-261-L2-XXX
	C-261-L3-XXX

c:\enterprisevault\DWG\MISC\MKTG\LSHM-1XX-XX-XXX-DH-A-X-X-XX-MKT.SLDDRW

**PROPRIETARY NOTE**  
 \* THIS DOCUMENT CONTAINS CONFIDENTIAL AND PROPRIETARY INFORMATION AND ALL DESIGN, MANUFACTURING, REPRODUCTION, USE, PATENT RIGHTS AND SALES RIGHTS ARE EXPRESSLY RESERVED BY SAMTEC, INC. THIS DOCUMENT SHALL NOT BE DISCLOSED, IN WHOLE OR PART, TO ANY UNAUTHORIZED PERSON OR ENTITY NOR REPRODUCED, TRANSFERRED OR INCORPORATED IN ANY OTHER PROJECT IN ANY MANNER WITHOUT THE EXPRESS WRITTEN CONSENT OF SAMTEC, INC.



520 PARK EAST BLVD., NEW ALBANY, IN 47150  
 PHONE: 812-944-6733 FAX: 812-948-5047  
 e-Mail info@SAMTEC.com code 55322

DO NOT SCALE DRAWING

DESCRIPTION:  
0.50mm TERMINAL/SOCKET COMBO

DWG. NO.  
LSHM-1XX-XX-XXX-DH-A-X-X-XX

BY: AGEN H 10/30/2008 SHEET 5 OF 5