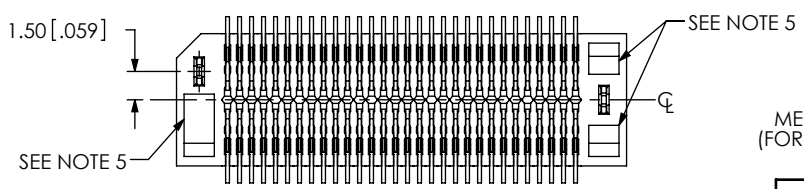
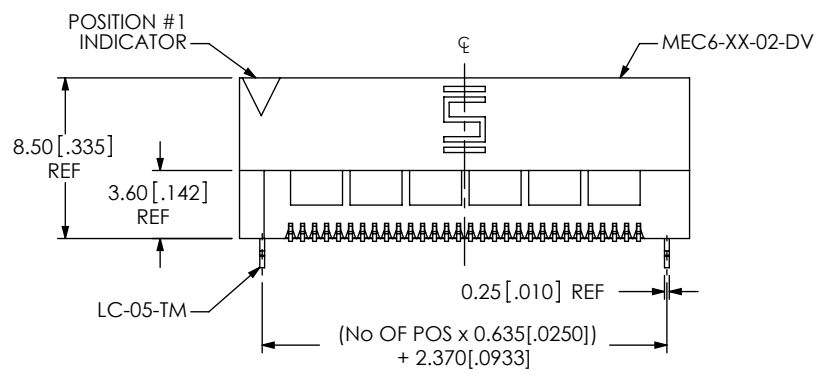
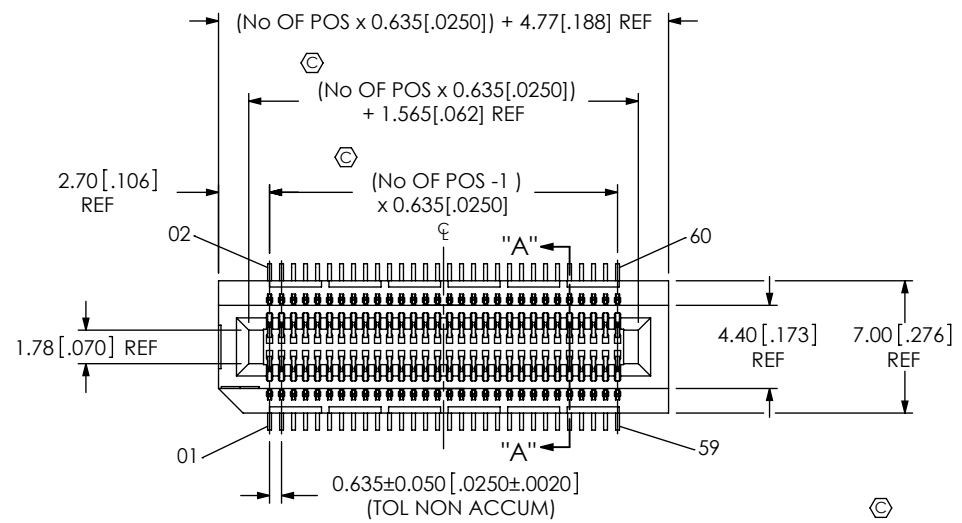


**DESIGNED & DIMENSIONED
IN MILLIMETERS
(INCHES FOR REFERENCE ONLY)**

DO NOT
SCALE FROM
THIS PRINT



MEC6-1XX-02-X-DV-XX

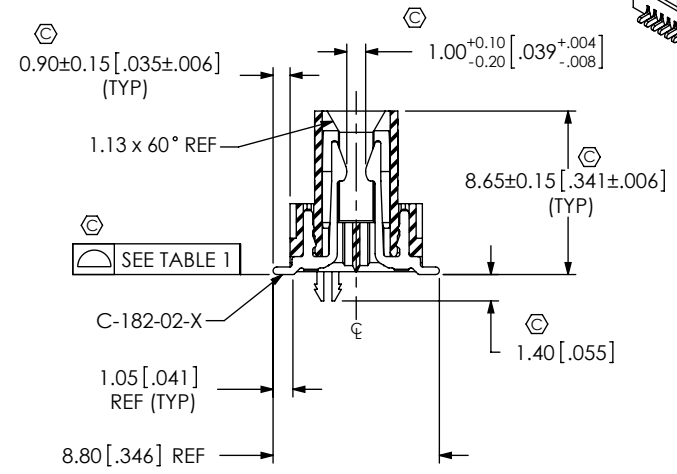
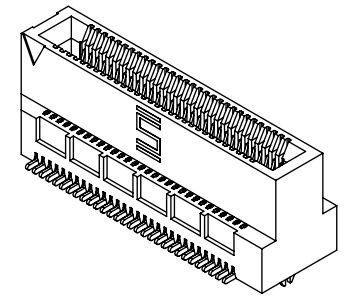
No OF POSITIONS
 -10, -20, -30, -40, -50, -60, -70

CARD THICKNESS
 -02: 1.57mm [.062] THICK CARD

PLATING SPECIFICATION
 -L: LIGHT SELECTIVE GOLD/MATTE TIN (USE C-182-02-L)
 -S: SELECTIVE GOLD/MATTE TIN (USE C-182-02-S)

OPTION
 -A: ALIGNMENT PINS (SEE FIG. 3) (USE MEC6-XX-XX-DV-A)
 -LC: LOCKING CLIP (USE LC-05-TM)
 -K: POLYIMIDE FILM PAD (USE K-DOT-.217-.313-.005) (SEE FIG. 4)
 -TR: TAPE & REEL

ROW SPECIFICATION
 -DV: DUAL VERTICAL (USE MEC6-XX-XX-DV)



SECTION "A"-"A"

TABLE 1	
No OF POS	COPLANARITY
-10 THRU -50	0.102 [.0040]
-60 & -70	0.152 [.0060]

FIG 1
 -LC OPTION SHOWN
 MEC6-130-02-X-DV-LC SHOWN
 (FOR POSITIONS -10, -20, -30 & -40)

NOTES:

- ⊕ REPRESENTS A CRITICAL DIMENSION.
- MAXIMUM BURR ALLOWANCE: 0.038[.0015].
- MINIMUM PUSHOUT FORCE: 2.22 N [.5 LB].
- PARTS TO BE PACKAGED IN TRAYS, UNLESS -TR OPTION IS SPECIFIED.
- VOID CORING CAN BE USED PER VENDOR'S DISCRETION TO CONTROL BOW SPECIFICATIONS

UNLESS OTHERWISE SPECIFIED, DIMENSIONS ARE IN MILLIMETERS. TOLERANCES ARE: DECIMALS ANGLES .X: ± 0.3 [.01] 2° .XX: ± 0.13 [.005] .XXX: ± 0.051 [.0020]	* PROPRIETARY NOTE * THIS DOCUMENT CONTAINS CONFIDENTIAL AND PROPRIETARY INFORMATION AND ALL DESIGN, MANUFACTURING, REPRODUCTION, USE, PATENT RIGHTS AND SALES RIGHTS ARE EXPRESSLY RESERVED BY SAMTEC, INC. THIS DOCUMENT SHALL NOT BE DISCLOSED, IN WHOLE OR PART, TO ANY UNAUTHORIZED PERSON OR ENTITY NOR REPRODUCED, TRANSFERRED OR INCORPORATED IN ANY OTHER PROJECT IN ANY MANNER WITHOUT THE EXPRESS WRITTEN CONSENT OF SAMTEC, INC.	<p>520 PARK EAST BLVD, NEW ALBANY, IN 47150 PHONE: 812-944-6733 FAX: 812-948-5047 e-Mail: info@SAMTEC.com code: 55322</p>

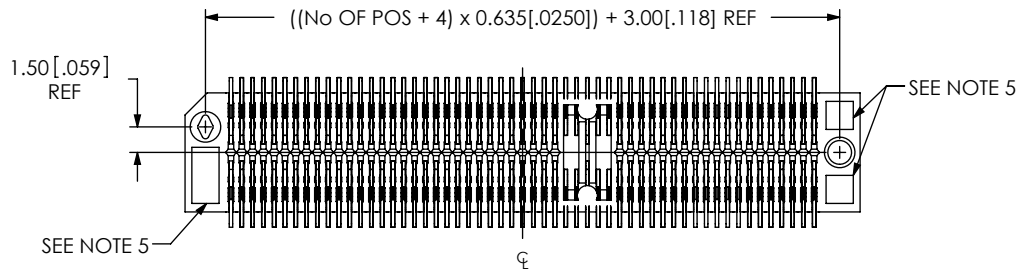
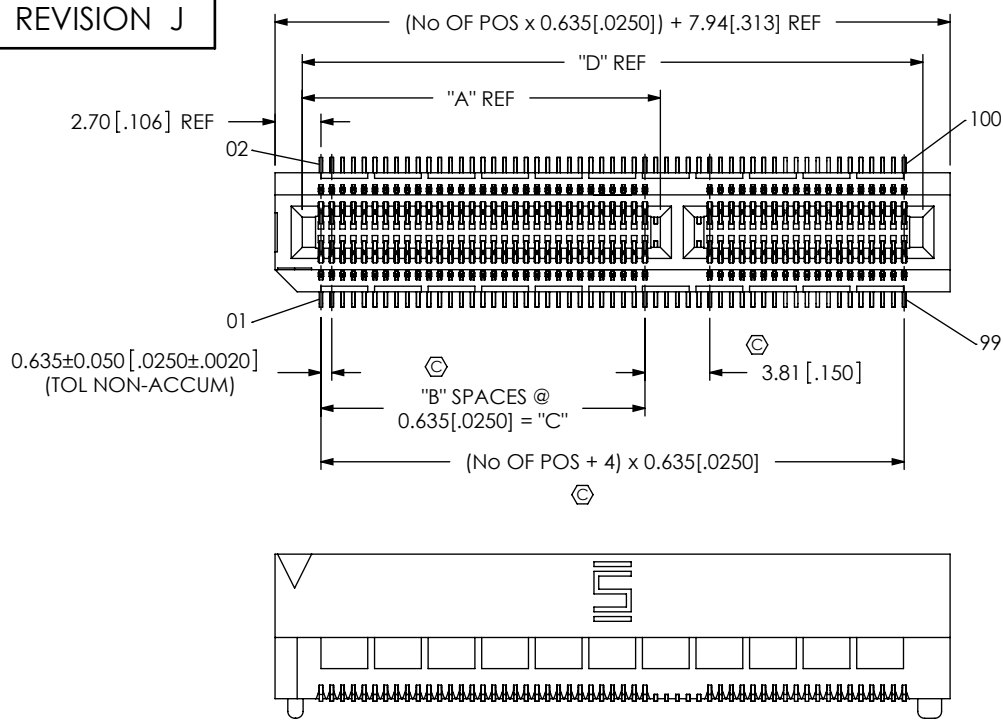


FIG 2
MEC6-150-02-X-DV-A SHOWN
FOR POSITIONS -50 THRU 70
(SAME AS FIG 1, UNLESS OTHERWISE STATED)

TABLE 2				
No OF POS	"A" REF	"B"	"C"	"D" REF
-50	21.055[.8289]	30	19.050[.7500]	36.490[1.4366]
-60	24.865[.9789]	36	22.860[.9000]	42.840[1.6866]
-70	28.675[1.1289]	42	26.670[1.0500]	49.190[1.9366]

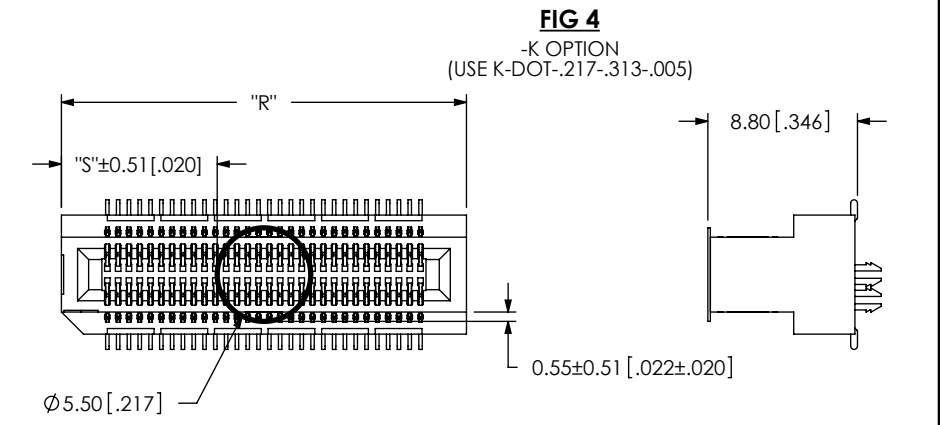
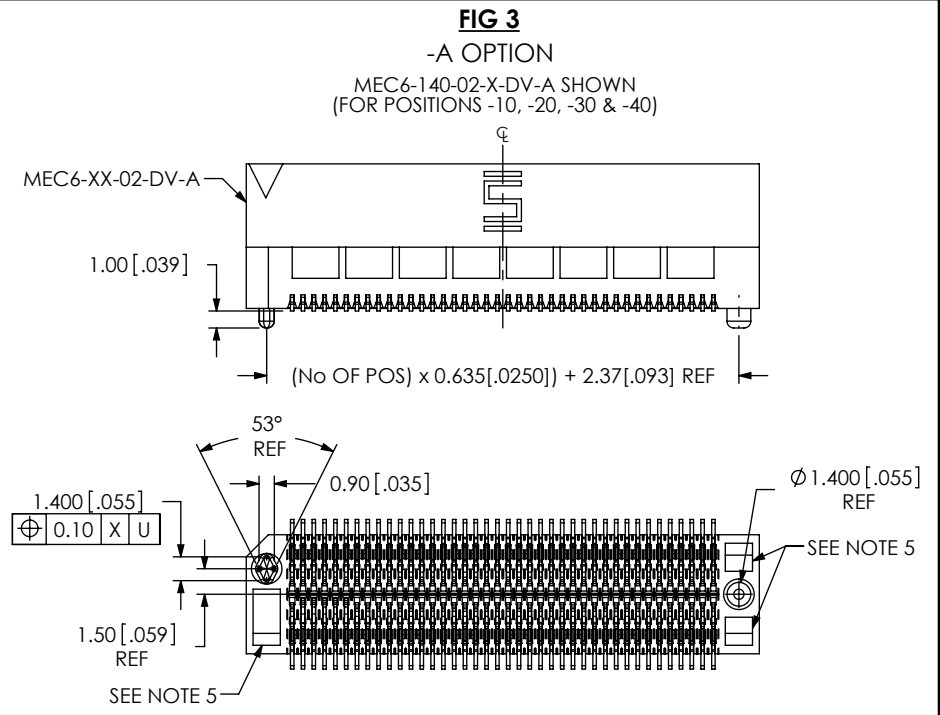


TABLE 3		
No OF POS	"R"	"S"
-10 THRU -40	(No OF POS x 0.635[.0250]) + 4.77[.188] REF	(("R" - 5.50[.217]) / 2) +/- 0.51[.020]
-50 THRU -70	(No OF POS x 0.635[.0250]) + 7.94[.313] REF	

PROPRIETARY NOTE
THIS DOCUMENT CONTAINS CONFIDENTIAL AND PROPRIETARY INFORMATION AND ALL DESIGN, MANUFACTURING, REPRODUCTION, USE, PATENT RIGHTS AND SALES RIGHTS ARE EXPRESSLY RESERVED BY SAMTEC, INC. THIS DOCUMENT SHALL NOT BE DISCLOSED, IN WHOLE OR PART, TO ANY UNAUTHORIZED PERSON OR ENTITY NOR REPRODUCED, TRANSFERRED OR INCORPORATED IN ANY OTHER PROJECT IN ANY MANNER WITHOUT THE EXPRESS WRITTEN CONSENT OF SAMTEC, INC.

DO NOT SCALE DRAWING

SHEET SCALE: 1:0.444444

samtec

520 PARK EAST BLVD, NEW ALBANY, IN 47150
PHONE: 812-944-6733 FAX: 812-948-5047
e-Mail: info@SAMTEC.com code: 55322

DESCRIPTION:
.635mm VERTICAL MOUNT MINI-EDGE CARD ASSEMBLY

DWG. NO.
MEC6-1XX-02-X-DV-XX

BY: DEAN P 05/17/2005 SHEET 2 OF 2