

DO NOT SCALE FROM THIS PRINT

DESIGNED & DIMENSIONED IN MILLIMETERS [INCHES]

MTCA-XXX-XX-X-DV-SMT-K-TR

No OF POSITIONS  
-020, \*.040, \*.060, \*.080, -.085, & \*.100 (PER ROW)

LEAD STYLE  
-02: 1.60 [0.63] THICK CARD

PLATING SPECIFICATION  
-S: SELECTIVE, .000030 GOLD ON CONTACT, TIN ON TAIL

OPTION  
-TR: TAPE & REEL (SEE NOTE 4)

OPTION  
-K: POLYIMIDE FILM PAD

SMT TYPE  
DUAL VERTICAL

(\* = NOT TOOLED)

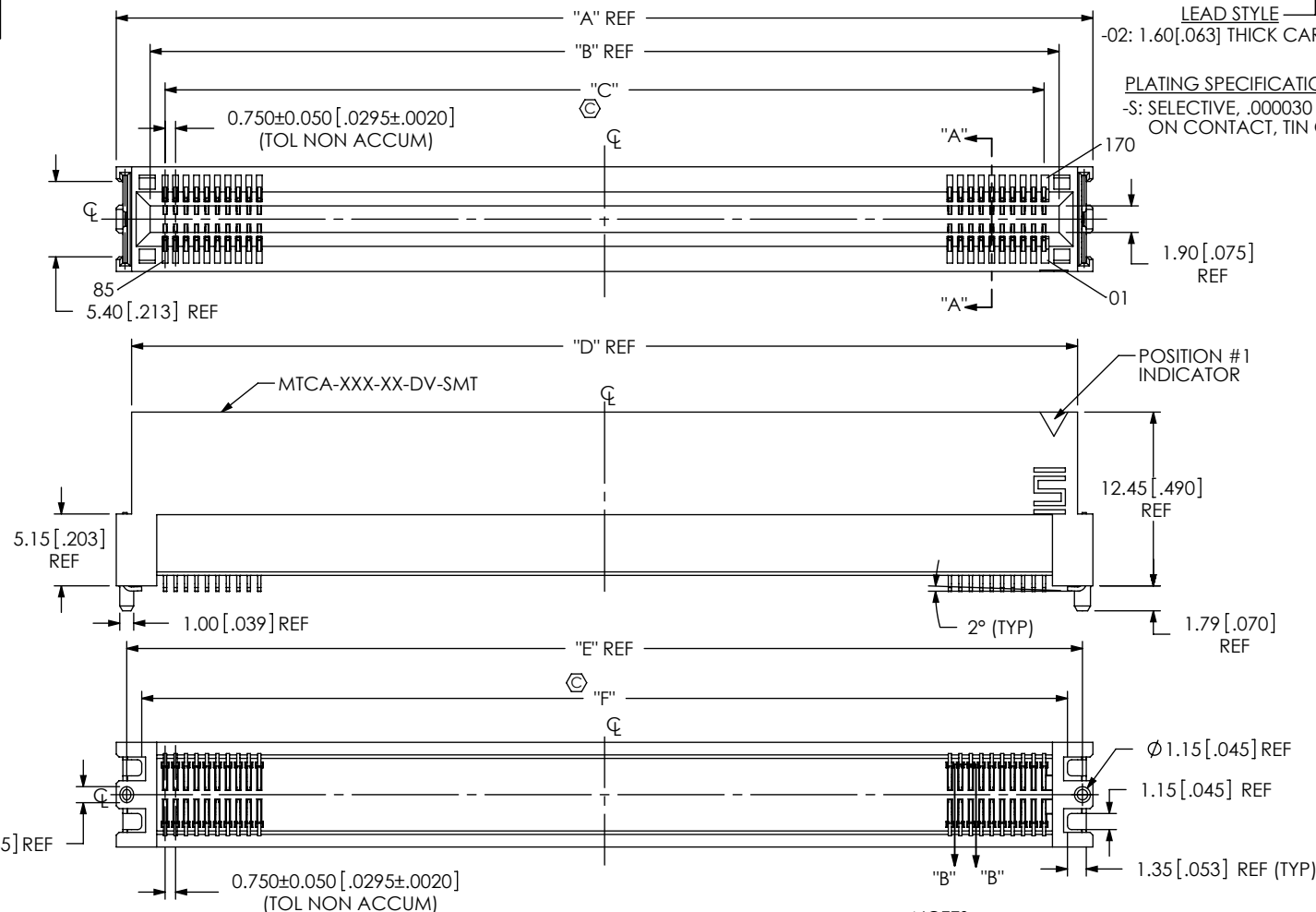
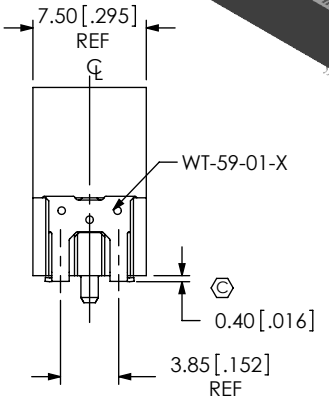
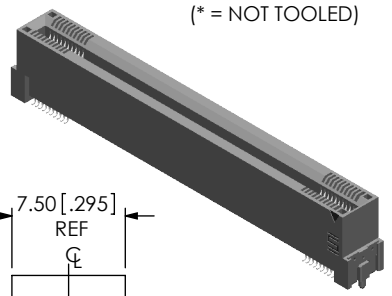


FIG 1  
MTCA-085-02-X-DV-SMT-X-TR SHOWN (SOME CENTER FEATURES NOT SHOWN FOR CLARITY)

- NOTES:
- ⊗ REPRESENTS A CRITICAL DIMENSION.
  - MINIMUM PUSHOUT FORCE: SIGNAL: 4.90N [1 LB], WELD TAB: 4.90N [1 LB].
  - MAXIMUM ALLOWABLE BOW: 0.10 [0.004] MM/MM AFTER ASSEMBLY.
  - FOR QUANTITIES UP TO 49 PIECES, NO LEADER, TRAILER, OR REEL WILL BE SUPPLIED.
  - FOR QUANTITIES OF 50-124 PIECES, NO LEADER OR TRAILER WILL BE SUPPLIED.
  - COPLANARITY MEASUREMENT INCLUDES WT'S.

No. OF POS	"A"	"B"	"C"	"D"	"E"	"F"
-020	21.25 [0.837]	16.40 [0.646]	14.250 [0.5610]	19.05 [0.750]	19.750 [0.7776]	17.60 [0.693]
*.040	36.25 [1.427]	31.40 [1.236]	29.250 [1.1516]	34.05 [1.341]	34.750 [1.3681]	32.60 [1.283]
*.060	51.25 [2.018]	46.40 [1.827]	44.250 [1.7421]	49.05 [1.931]	49.750 [1.9587]	47.60 [1.874]
*.080	66.25 [2.608]	64.40 [2.535]	59.250 [2.3327]	64.05 [2.522]	64.750 [2.5492]	62.60 [2.465]
-.085	70.00 [2.756]	65.15 [2.565]	63.000 [2.4803]	67.80 [2.669]	68.500 [2.6969]	66.35 [2.612]
*.100	81.25 [3.199]	76.40 [3.008]	74.250 [2.9232]	79.05 [3.112]	79.750 [3.1398]	77.60 [3.055]

(\* = NOT TOOLED)

UNLESS OTHERWISE SPECIFIED, DIMENSIONS ARE IN MILLIMETERS. TOLERANCES ARE:  
DECIMALS ANGLES  
X.X: ±0.3 [0.1]  
X.XX: ±0.13 [0.05]  
X.XXX: ±0.051 [0.020]

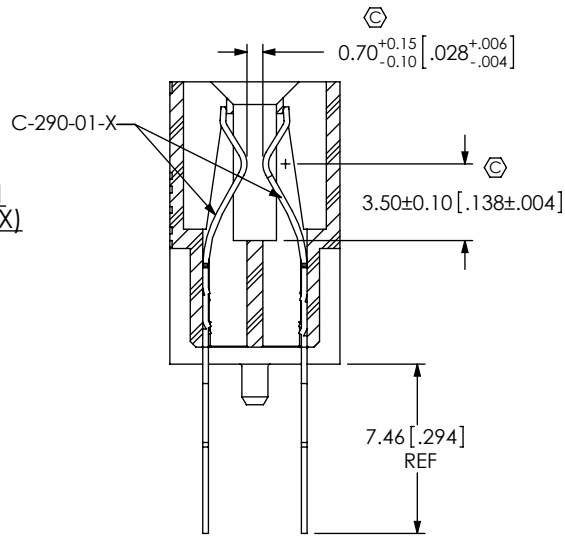
PROPRIETARY NOTE  
THIS DOCUMENT CONTAINS CONFIDENTIAL AND PROPRIETARY INFORMATION AND ALL DESIGN, MANUFACTURING, REPRODUCTION, USE, PATENT RIGHTS AND SALES RIGHTS ARE EXPRESSLY RESERVED BY SAMTEC, INC. THIS DOCUMENT SHALL NOT BE DISCLOSED, IN WHOLE OR PART, TO ANY UNAUTHORIZED PERSON OR ENTITY NOR REPRODUCED, TRANSFERRED OR INCORPORATED IN ANY OTHER PROJECT IN ANY MANNER WITHOUT THE EXPRESS WRITTEN CONSENT OF SAMTEC, INC.

MATERIAL: DO NOT SCALE DRAWING SHEET SCALE: 2:1  
INSULATOR: LCP, COLOR: BLACK  
CONTACT: PHOS BRONZE  
WELD TAB: BRONZE

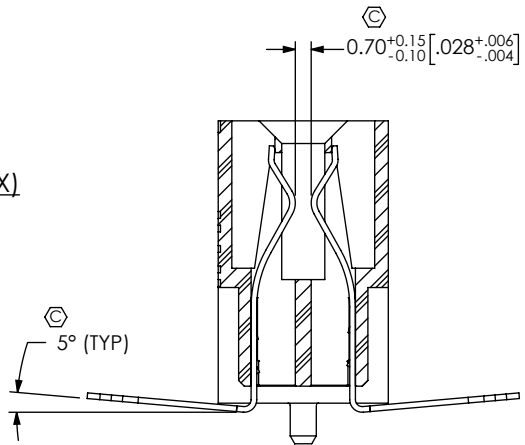
520 PARK EAST BLVD, NEW ALBANY, IN 47150  
PHONE: 812-944-6733 FAX: 812-948-5047  
e-Mail: info@SAMTEC.com code: 55322

DESCRIPTION: MTCA SMT ASSEMBLY  
DWG. NO. MTCA-XXX-XX-X-DV-SMT-K-TR  
BY: ROY LUO 7/3/2009 SHEET 1 OF 3

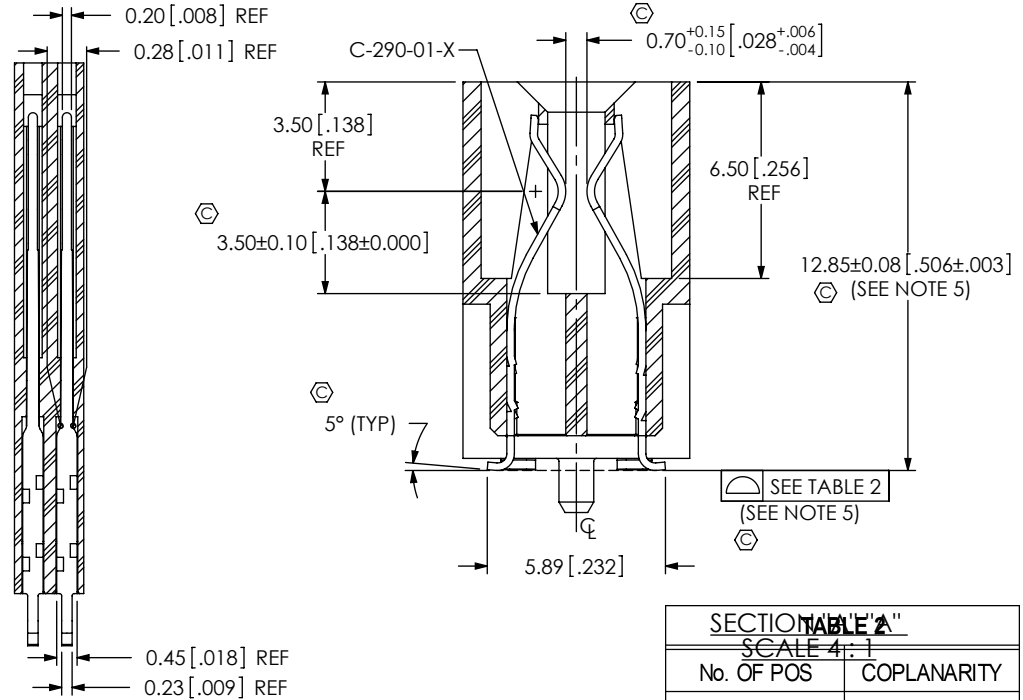
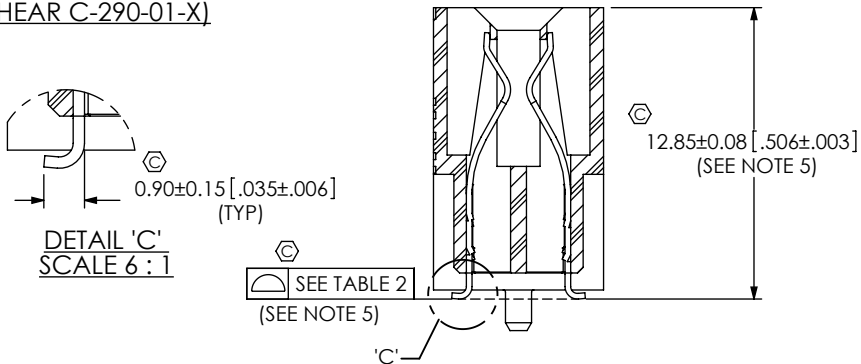
IN-PROCESS 1  
(FILL C-290-01-X)



IN-PROCESS 2  
(FORM C-290-01-X)



IN-PROCESS 3  
(SHEAR C-290-01-X)



SECTION "B"- "B"  
SCALE 6 : 1

SECTION "A"	
SCALE 4 : 1	
No. OF POS	COPLANARITY
-020 THRU *-040	0.102 [0.0040]
*-060 THRU *-100	0.152 [0.0060]

(\* = NOT TOOLED)

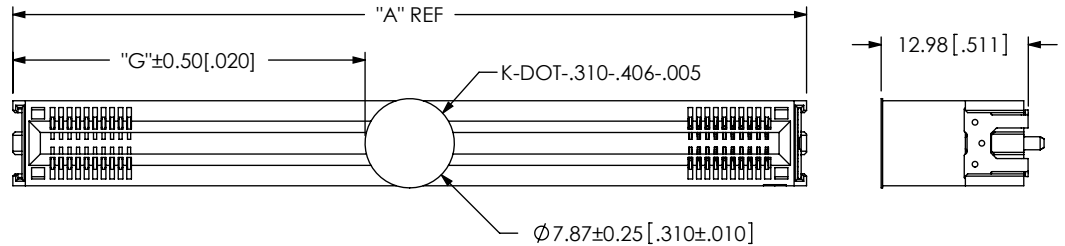


TABLE 3		
No. OF POS	"G"	
-020	6.69	[0.263]
*-040	14.23	[0.560]
*-060	21.73	[0.856]
*-080	29.23	[1.151]
-085	31.06	[1.223]
*-100	36.73	[1.446]

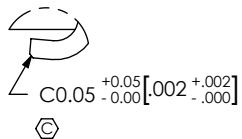
(\* = NOT TOOLED)

FIG. 2  
-K OPTION  
(MTCA-085-02-X-DV-SMT-K-TR SHOWN)  
(SOME CENTER FEATURES NOT SHOWN FOR CLARITY)

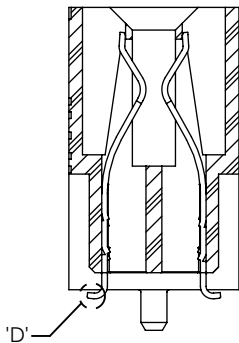
F:\DWG\MISC\MKTG\MTCA-XXX-XX-X-DV-SMT-K-TR-MKT.SLDDRW

<p>PROPRIETARY NOTE</p> <p>THIS DOCUMENT CONTAINS CONFIDENTIAL AND PROPRIETARY INFORMATION AND ALL DESIGN, MANUFACTURING, REPRODUCTION, USE, PATENT RIGHTS AND SALES RIGHTS ARE EXPRESSLY RESERVED BY SAMTEC, INC. THIS DOCUMENT SHALL NOT BE DISCLOSED, IN WHOLE OR PART, TO ANY UNAUTHORIZED PERSON OR ENTITY NOR REPRODUCED, TRANSFERRED OR INCORPORATED IN ANY OTHER PROJECT IN ANY MANNER WITHOUT THE EXPRESS WRITTEN CONSENT OF SAMTEC, INC.</p>		
	<p>520 PARK EAST BLVD, NEW ALBANY, IN 47150 PHONE: 812-944-6733 FAX: 812-948-5047 e-Mail: info@SAMTEC.com code: 55322</p>	
DO NOT SCALE DRAWING	DESCRIPTION: MTCA SMT ASSEMBLY	
SHEET SCALE: 2:1	DWG. NO. MTCA-XXX-XX-X-DV-SMT-K-TR	
	BY: ROY LUO 7/3/2009	SHEET 2 OF 3

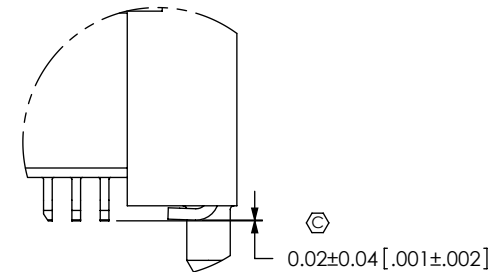
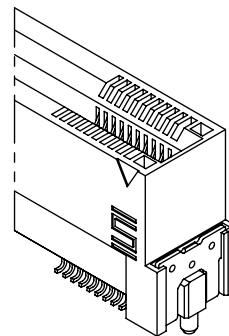
IN-PROCESS 4  
(COIN PIN)



DETAIL 'D'  
SCALE 10:1



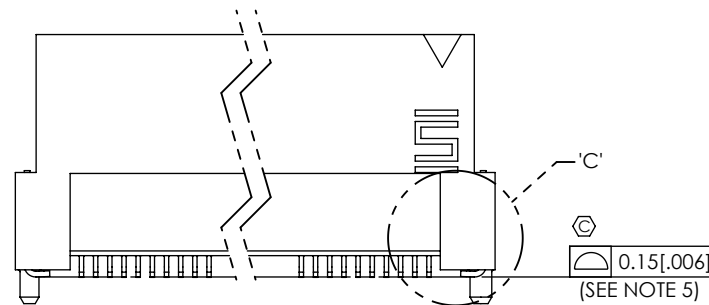
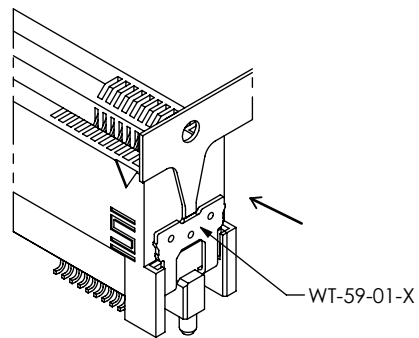
STEP 4  
(FILL WT-59-01-X)



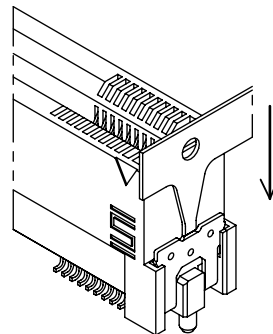
DETAIL 'C'  
SCALE 5:1

IN-PROCESS 5  
(FILL WT-59-01-X)

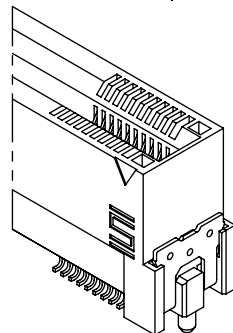
STEP 1  
(MOVE INTO SLOT)



STEP 2  
(INSERT TO SLOT)



STEP 3  
(BREAK OFF CARRIER)



PROPRIETARY NOTE

THIS DOCUMENT CONTAINS CONFIDENTIAL AND PROPRIETARY INFORMATION AND ALL DESIGN, MANUFACTURING, REPRODUCTION, USE, PATENT RIGHTS AND SALES RIGHTS ARE EXPRESSLY RESERVED BY SAMTEC, INC. THIS DOCUMENT SHALL NOT BE DISCLOSED, IN WHOLE OR PART, TO ANY UNAUTHORIZED PERSON OR ENTITY NOR REPRODUCED, TRANSFERRED OR INCORPORATED IN ANY OTHER PROJECT IN ANY MANNER WITHOUT THE EXPRESS WRITTEN CONSENT OF SAMTEC, INC.



520 PARK EAST BLVD, NEW ALBANY, IN 47150  
PHONE: 812-944-6733 FAX: 812-948-5047  
e-Mail: info@SAMTEC.com code: 55322

DO NOT SCALE DRAWING

SHEET SCALE: 2.5:1

DESCRIPTION: MTCA SMT ASSEMBLY

DWG. NO.  
MTCA-XXX-XX-X-DV-SMT-K-TR

BY: ROY LUO 7/3/2009

SHEET 3 OF 3