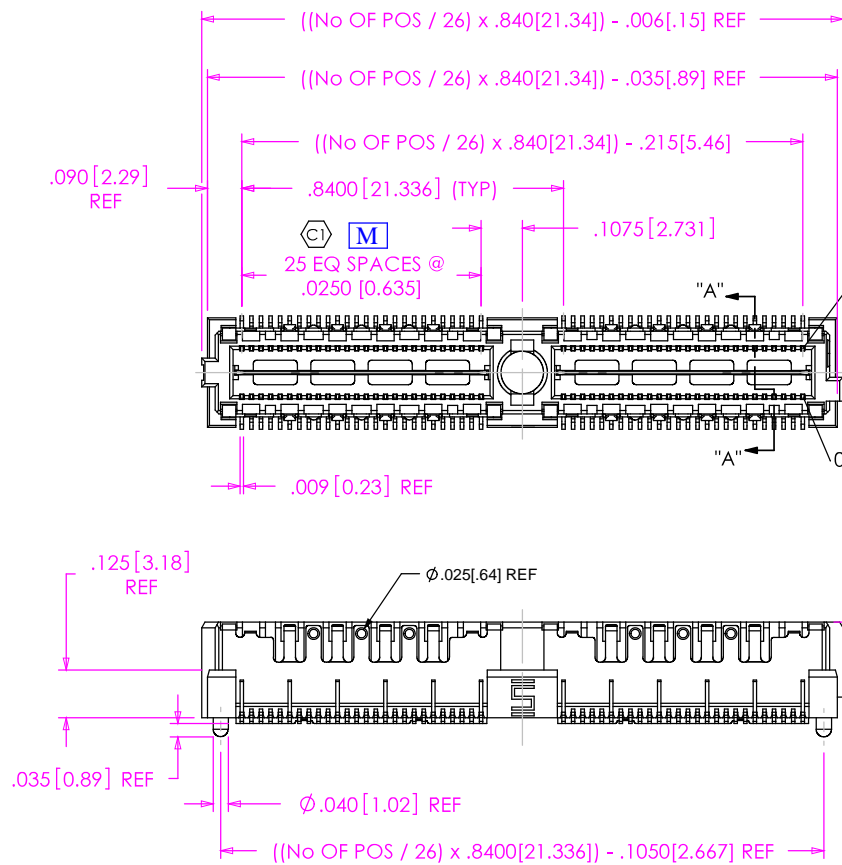


DO NOT SCALE FROM THIS PRINT

QMSS-XXX-XX-X-D-X-XXX-XX



No OF POSITIONS

-026, -052, -078,
-104, * -130
(PER ROW)

LEAD STYLE

-11 (SEE FIG. 1)

PLATING SPECIFICATION

-L: LIGHT GOLD (USE T-1M19-06.75-L)
-H: HEAVY GOLD (USE T-1M19-06.75-H)
(ALL PLATING STYLES USE
SH1-XX-L & T-1G19-06.75-L)

ROW SPECIFICATION

-D: DOUBLE

PACKAGING OPTION

-TR: TAPE & REEL PACKAGING
(-026 THRU -078 WITHOUT OPTIONS -GP OR -PCX,
-026 THRU -052 WITH OPTIONS -GP OR -PCX)

OPTION

-GP: GUIDE POSTS
(SEE FIG. 3, SHEET 2)
[NOT AVAILABLE WITH -PCX]
-K: KAPTON PAD
(SEE FIG. 2, SHEET 2)
-PC4: POWER COMBO 4
(SEE FIG. 5, SHEET 4)(USE T-1M27-01-S)
-PC8: POWER COMBO 8
(SEE FIG. 5, SHEET 4)(USE T-1M27-01-S)
[-PCX NOT AVAILABLE WITH -GP]
[-PCX AVAILABLE ON POSITIONS
-026, -052 & -078 ONLY AND ON
LEAD STYLE -011 ONLY]

OPTION

***-A: ALIGNMENT PIN

* = NOT TOOLED

*** = NOT AVAILABLE WITH PCX OPTION

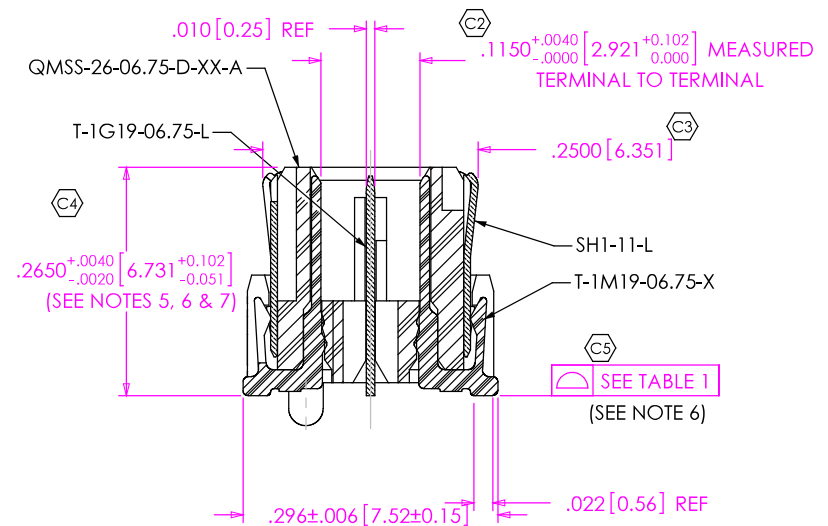
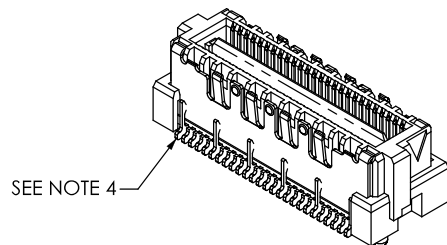


FIG. 1

-11 LEAD STYLE
(QMSS-052-11-X-D-A SHOWN)
(MATED HEIGHT WITH QSS-01: .433 [1.00] REF)

SECTION "A"-"A"
SCALE 4.5 : 1



NOTES:

1. Ⓢ REPRESENTS A CRITICAL DIMENSION.
2. BURR ALLOWANCE: .0015 MAX.
3. MINIMUM PUSHOUT FORCE: SIGNAL: .75 LB, SHIELD/GROUND: 1 LB.
4. TERMINALS IN THE FIRST ROW OF EACH BANK AND EVERY FIFTH ROW AFTER THAT WILL NOT BE SHEARED.
5. MAX VARIANCE OF .002.
6. DIMENSION APPLIES TO CONTACTS & GROUND PLANE.
7. GROUND PLANE PRESS HEIGHT MUST BE .003[.08] LESS THAN THE MAX HEIGHT OR .001[.03] GREATER THAN THE MINIMUM HEIGHT OF THE TERMINALS.
8. PARTS TO BE PACKAGED IN TRAYS AS STANDARD.

TABLE 1

No OF POSITIONS	No OF BANKS	COPLANARITY
-026	01	.004[.10]
-052 THRU -130	2 THRU 5	.006[.15]

UNLESS OTHERWISE SPECIFIED, DIMENSIONS ARE IN INCHES.

TOLERANCES ARE:

DECIMALS ANGLES
.XX: ±.01 [.3] 2°
.XXX: ±.005 [.13]
.XXXX: ±.0020 [.051]

PROPRIETARY NOTE

THIS DOCUMENT CONTAINS INFORMATION CONFIDENTIAL AND PROPRIETARY TO SAMTEC, INC. AND SHALL NOT BE REPRODUCED OR TRANSFERRED TO OTHER DOCUMENTS OR DISCLOSED TO OTHERS OR USED FOR ANY PURPOSE OTHER THAN THAT WHICH IT WAS OBTAINED WITHOUT THE EXPRESSED WRITTEN CONSENT OF SAMTEC, INC.

MATERIAL: DO NOT SCALE DRAWING SHEET SCALE: 2:1
INSULATOR: INSULATOR: LCP, COLOR: BLACK
TERMINAL, GROUND PLANE, & SHIELD: PHOS BRONZE



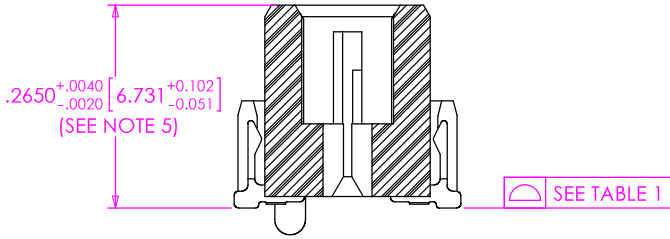
520 PARK EAST BLVD, NEW ALBANY, IN 47150
PHONE: 812-944-6733 FAX: 812-948-5047
e-Mail: info@SAMTEC.com code: 55322

DESCRIPTION:
.635mm DOUBLE ROW SHIELDED TERMINAL STRIP

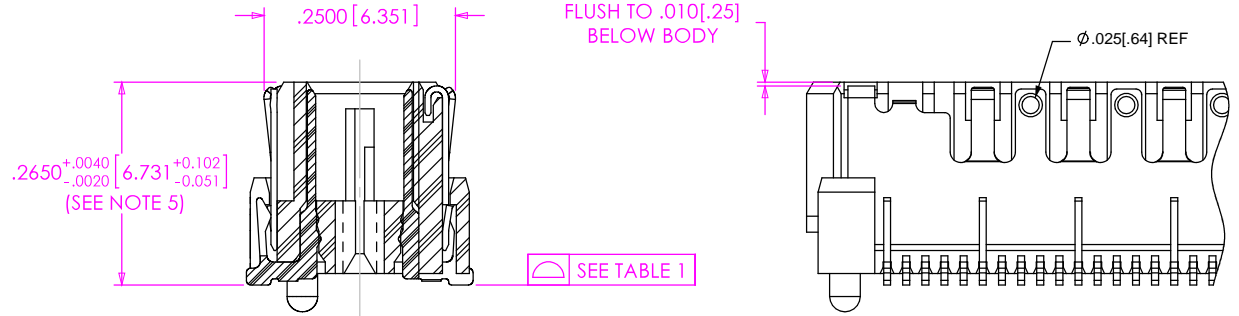
DWG. NO.
QMSS-XXX-XX-X-D-X-XXX-XX

BY: CHAD F 05/23/2002 SHEET 1 OF 3

IN-PROCESS 1



IN-PROCESS 2



TERMINAL DETAILS

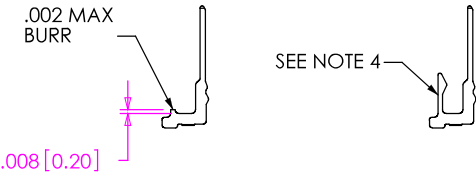


FIG. 3

-GP: GUIDE POST OPTION
(QMSS-052-11-X-D-A-GP SHOWN)

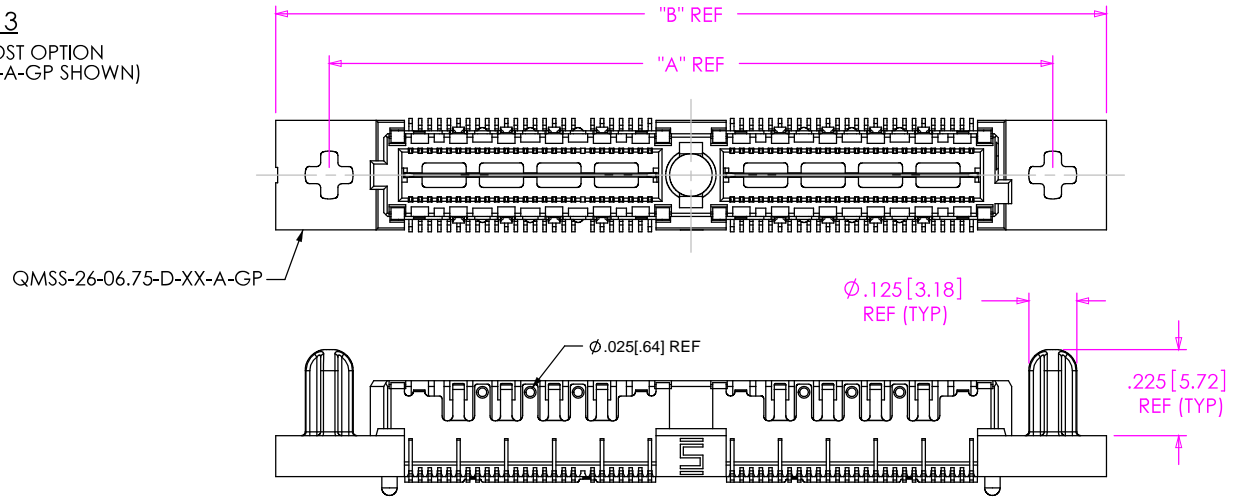


FIG. 2

-K: KAPTON PAD OPTION (USE K-500-300)
(QMSS-052-11-X-D-A-K SHOWN)

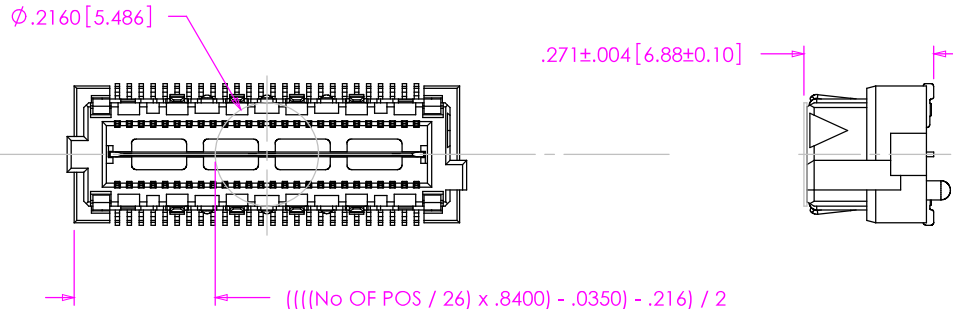


TABLE 2

ASSEMBLY	"A"	"B"
QMSS-026-11-X-D-GP	1.050[26.67]	1.330[33.78]
QMSS-052-11-X-D-GP	1.890[48.00]	2.170[55.12]
QMSS-078-11-X-D-GP	2.730[69.34]	3.010[76.45]
QMSS-104-11-X-D-GP	3.570[90.68]	3.850[97.79]
QMSS-130-11-X-D-GP	4.410[112.01]	4.690[119.13]

PROPRIETARY NOTE

THIS DOCUMENT CONTAINS INFORMATION CONFIDENTIAL AND PROPRIETARY TO SAMTEC, INC. AND SHALL NOT BE REPRODUCED OR TRANSFERRED TO OTHER DOCUMENTS OR DISCLOSED TO OTHERS OR USED FOR ANY PURPOSE OTHER THAN THAT WHICH IT WAS OBTAINED WITHOUT THE EXPRESSED WRITTEN CONSENT OF SAMTEC, INC.

DO NOT SCALE DRAWING

SHEET SCALE: 2.5:1



520 PARK EAST BLVD, NEW ALBANY, IN 47150
PHONE: 812-944-6733 FAX: 812-948-5047
e-Mail: info@SAMTEC.com code: 55322

DESCRIPTION:
.635mm DOUBLE ROW SHIELDED TERMINAL STRIP

DWG. NO.
QMSS-XXX-XX-X-D-X-XXX-XX

BY: CHAD F 05/23/2002 SHEET 2 OF 3

FIG. 5 -PCX OPTION
 POWER COMBO OPTIONS
 QMSS-052-11-X-D-PC4 SHOWN
 (SAME AS FIG. 1, UNLESS OTHERWISE STATED)
 [NOT AVAILABLE WITH -GP OPTION, AVAILABLE ON LEAD STYLE -11 ONLY]
 [AVAILABLE ON -026, -052 & -078 POSITIONS ONLY]

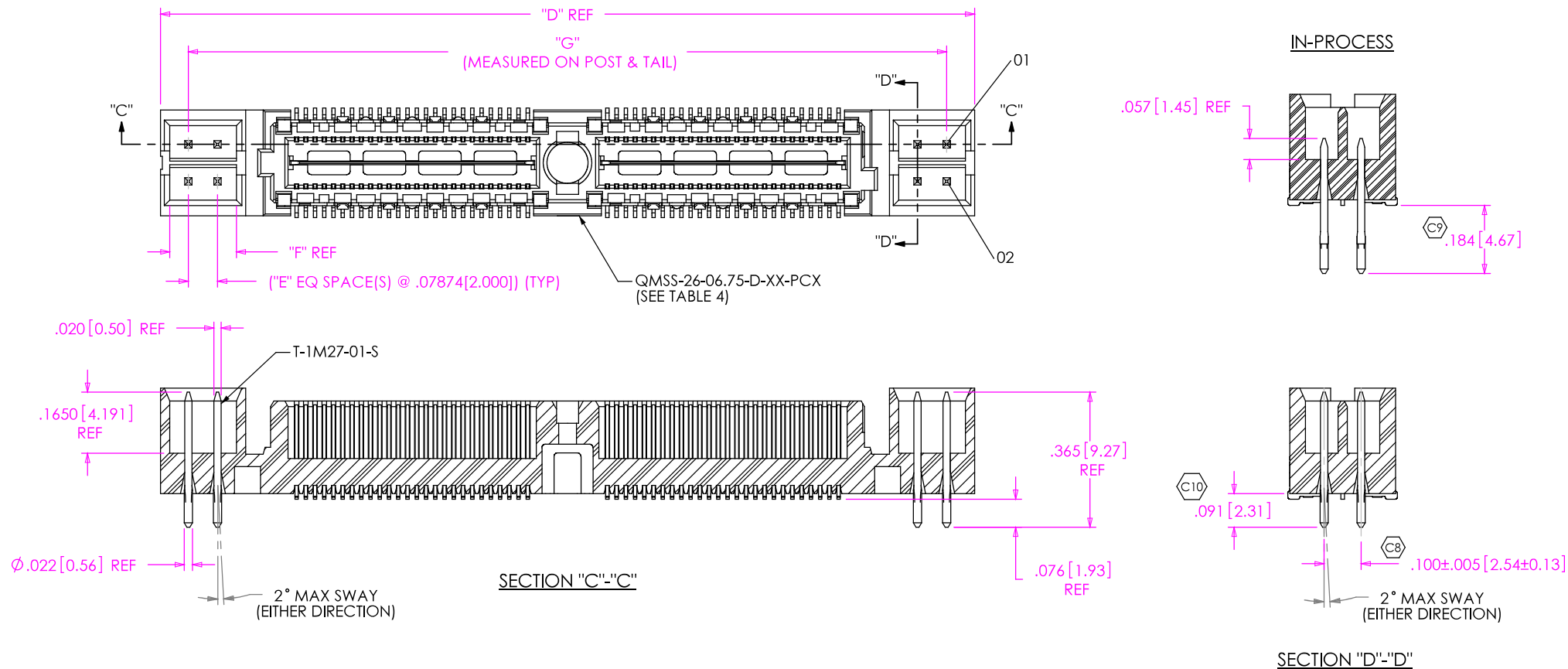


TABLE 4

ASSEMBLY	QMSS-26-06.75-D-XX-X-PCX	"D"	"E"	"F"	"G"
QMSS-026-11-X-D-X-PC4	QMSS-26-06.75-D-01-X-PC4	1.360[34.54]	1	.180[4.57]	1.209[30.71]
QMSS-026-11-X-D-X-PC8	QMSS-26-06.75-D-01-X-PC8	1.675[42.55]	3	.337[8.56]	1.524[38.71]
QMSS-052-11-X-D-X-PC4	QMSS-26-06.75-D-02-X-PC4	2.200[55.88]	1	.180[4.57]	2.049[52.04]
QMSS-052-11-X-D-X-PC8	QMSS-26-06.75-D-02-X-PC8	2.515[63.88]	3	.337[8.56]	2.364[60.05]
QMSS-078-11-X-D-X-PC4	QMSS-26-06.75-D-03-X-PC4	3.040[77.22]	1	.180[4.57]	2.889[73.38]
QMSS-078-11-X-D-X-PC8	QMSS-26-06.75-D-03-X-PC8	3.355[85.22]	3	.337[8.56]	3.204[81.38]

PROPRIETARY NOTE
 THIS DOCUMENT CONTAINS INFORMATION CONFIDENTIAL AND PROPRIETARY TO SAMTEC, INC. AND SHALL NOT BE REPRODUCED OR TRANSFERRED TO OTHER DOCUMENTS OR DISCLOSED TO OTHERS OR USED FOR ANY PURPOSE OTHER THAN THAT WHICH IT WAS OBTAINED WITHOUT THE EXPRESSED WRITTEN CONSENT OF SAMTEC, INC.

DO NOT SCALE DRAWING
 SHEET SCALE: 2.5:1



520 PARK EAST BLVD, NEW ALBANY, IN 47150
 PHONE: 812-944-6733 FAX: 812-948-5047
 e-Mail: info@SAMTEC.com code: 55322

DESCRIPTION:
 .635mm DOUBLE ROW SHIELDED TERMINAL STRIP
 DWG. NO.
 QMSS-XXX-XX-X-D-X-XXX-XX
 BY: CHAD F 05/23/2002 SHEET 3 OF 3