

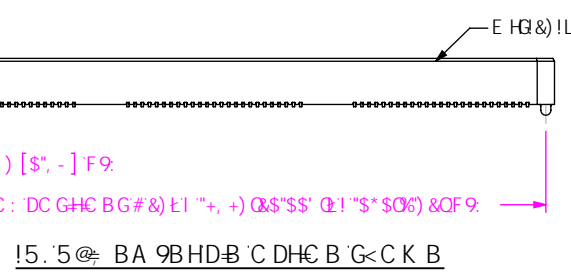
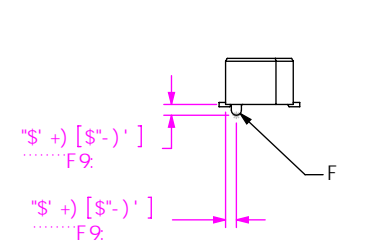
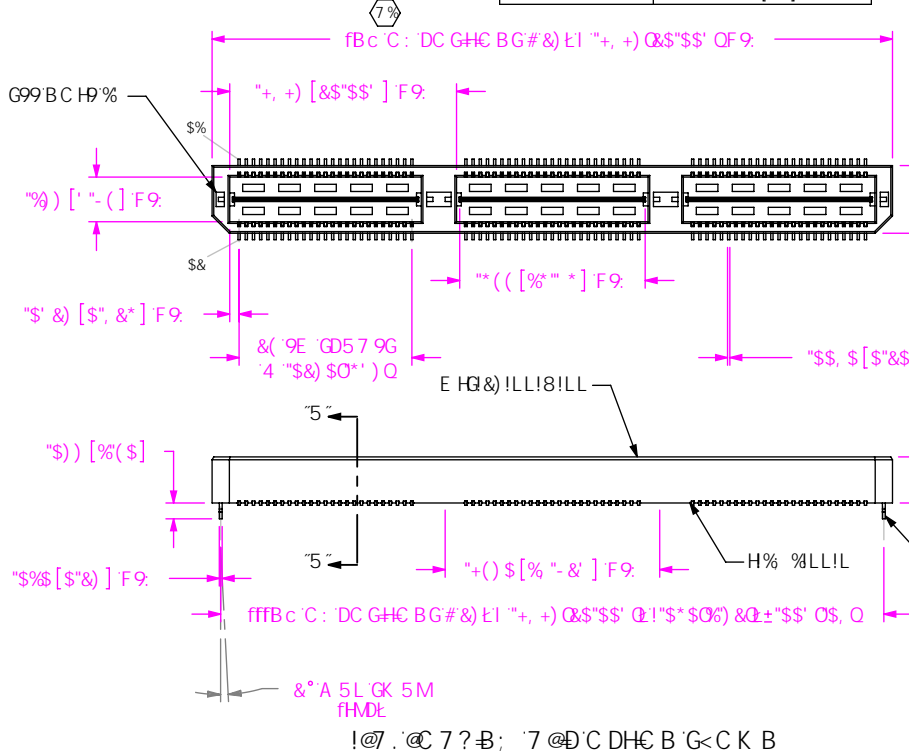
8C B CH  
G7 5@: FCA  
H- GDF BH

TABLE 1

STYLE	"A"	"B"	BODY	GROUND PLANE	TERMINAL	MATED HEIGHT WITH QSS-01
-01	.1680[4.267]	.1600[4.064]	QTS-25-01-D-XX	T-1G1-01-X	T-1S56-01-X	.197[5.00] REF
-02	.2861[7.267]	.2781[7.064]	QTS-25-02-D-XX	T-1G1-02-X	T-1S56-22-X	.315[8.00] REF

TABLE 2

No Of POSITIONS	COPLANARITY (INCLUDES GND PLANE)
-025 THRU -075	.004[.10]
-100 THRU -125	.006[.15]



E H Q L L L ! L L ! ! 8 ! L L

Bc C: DC GHC BG  
1\$&) Z ! \$) S Z ! \$ + ) Z  
!! ! % \$ Z ! ! 1 % & )  
f D 9 F C K L  
!! f B 9 9 B C H 9 % ( L

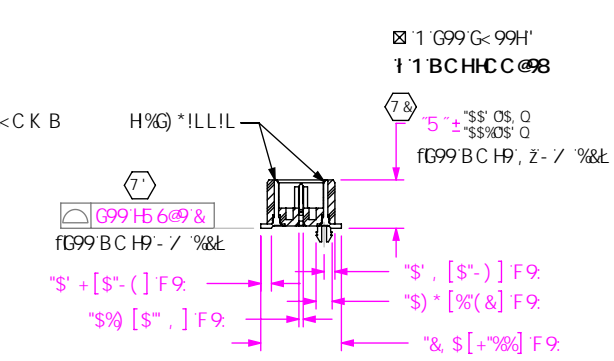
C DHC B  
! @ . @ C ? ? B; ' 7 @ D G F 9 9 B C H 9 % \$ L  
~~~~ fl G 9 @ ! \$ ! H A ! \$ % L  
! 5. ' 5 @ B A 9 B H D B G f C 9 9 B C H 9 % \$ L  
~~~~ fl G 9 E H Q & ) ! L L ! 8 ! L L ! 5 L  
! ? . D C @ A - 8 9 : - A ' D 5 8  
~~~~ fl G 9 ? 1 8 C H' & + \* ! " + ) ! '\$\$) Z G 9 9 : ± " & L  
! : D; 1 - 8 9 D C G F' G 9 9 : ± " ( (   
~~~~ f B 1 5 - 6 @ C B G H 9 ! \$ % C B @ L  
! H . H 5 D 9 / F 9 9 @ f H ' D C G A 5 L L  
~~~~ f B # 5 C B G H 9 ! \$ ) / ! \$ \* L

095 8 G H M @  
! \$ % " % , \$ Q ' & \* + Q  
! \$ & " & , % ' O \$ \* & - Q  
☒ ! \$ . " ( ' O \$ \* & - Q  
☒ ! \$ ( . " \* \$ \$ % ) ' & ( \* Q  
☒ ! \$ ) . " + % ' O % " & \$ Q  
☒ ! \$ : . " , \* % ' O % & + Q

F C K G D 9 7 ± 7 5 H C B  
! 8 . 8 C I 6 @ fl G 9 E H Q & ) ! L L ! 8 ! L L  
~~~~ / E H G < ! & ) ! L L ! 8 ! L L L

D @ H B : G D 9 7 ± 7 5 H C B  
f G 9 9 H 5 6 @ 9 ) L

Bc C: ' 6 5 B ? G



BC H 9 G

%' ( 7 ) ' F 9 D F 9 9 B H G 5 ' 7 F # 7 5 @ 8 - A 9 B G C B "  
& " 8 9 @ H 9 8 "  
" 8 9 @ H 9 8 "  
(\* A - B A I A ' H F A - B 5 @ F 9 H 9 B H C B . \* C N '  
) " A - B A I A ; F C I B 8 D @ 5 B 9 F 9 H 9 B H C B . % @ "  
" 8 9 @ H 9 8 "  
+ " D 5 F H G H C ' 6 9 A C @ 9 8 ' H C ' D C G H C B "  
" A 5 L - A I A ' J 5 F - 5 B 7 9 C ; "\$\$ & OS) Q "  
" 8 - A 9 B G C B ' 5 D D @ 9 G H C ' H F A - B 5 @ 5 B 8 : - F C I B 8 D @ 5 B 9 G - B 8 9 D 9 B 8 9 B H C :  
~~~~ H - 9 ; F C I B 8 D @ 5 B 9 C F H F A - B 5 @ F 9 G D 9 7 H J 9 @ M  
% % @ 5 8 G H M @ G I S ' 5 B 8 ! \$ ) . ! C D 6 C 8 M F E H L 7 5 B B C H < 5 J 9 ! 5 C D H C B ' 5 B 8  
~~~~ ! \$ ( 5 B 8 ! \$ \* 7 5 B 1 G 9 9 H 9 F 1 5 C F ! @ 7 6 C 8 M  
% % H % Q L L ! ! @ 7 5 B 6 9 Q 6 G H H H 9 8 : C F H % Q L L ! L L ! : "  
% & ; F C I B 8 D @ 5 B 9 D 9 F 9 G < 9 > < H A I G H 6 9 "\$\$' OS, O @ 9 G H 5 B H K 9 A 5 L  
~~~~ < 9 > < H C F "\$\$' OS' Q : F 9 5 H F H 5 B H K 9 A - B A I A < 9 > < H C : H K 9 H F A - B 5 @ "  
% " K - B 8 C K . B C H D F 9 G 9 B H C B @ 5 8 G H M @ G I S & H K F ! \$ \* < 9 > < H  
~~~~ D 9 F 9 J " 9 C : H K 9 E H Q & ) ! L L ! 8 ! L L ! L ! L "  
% ( : C F B 9 K 5 D D @ 7 5 H C B G F 9 E 1 F - B ; H K 9 9 D C G H C B G 7 D @ 5 G 9 7 C B H 5 7 H G 5 A H 7  
~~~~ B H 7 F 7 C B B 9 7 H D F C 7 9 G 9 B ; : F C I D "

G 9 7 H C B " 5 ' 1 ' 5 "

TABLE 5: PLATING SPECIFICATION

| OPTION | TERMINAL     |                       | TERMINAL CALLOUT | GROUND PLANE |                       | GROUND PLANE CALLOUT |
|--------|--------------|-----------------------|------------------|--------------|-----------------------|----------------------|
|        | CONTACT AREA | REMAINDER             |                  | CONTACT AREA | REMAINDER             |                      |
| -F     | .000003 GOLD | .000150 MIN MATTE TIN | T-1SXX-XX-F      | .000003 GOLD | .000150 MIN MATTE TIN | T-1G1-XX-F           |
| -L     | .000010 GOLD | .000150 MIN MATTE TIN | T-1SXX-XX-L      | .000010 GOLD | .000150 MIN MATTE TIN | T-1G1-XX-L           |
| -H     | .000030 GOLD | .000003 GOLD          | T-1SXX-XX-H      | .000010 GOLD | .000003 GOLD          | T-1G1-XX-G           |
| -C     | .000050 GOLD | .000150 MIN MATTE TIN | T-1SXX-XX-C      | .000010 GOLD | .000150 MIN MATTE TIN | T-1G1-XX-L           |

1 B @ G C ' C H 9 F K @ 9 G D 9 7 ± 9 8 2  
8 - A 9 B G C B G 5 F 9 - B ' B 7 < 9 C "  
H C @ 9 5 B 7 9 G 5 F 9  
8 9 7 A 5 @ 9 5 8 : 5 B : @ G

D F C D F 9 H F M B C H 9  
H - G 9 C 7 1 A 9 9 H 7 C B H 6 B G - C F A 5 H C B  
7 C B : 8 9 B H 5 @ 5 B 8 D C F 5 6 F M H C  
G 5 A H 7 2 B 7 " 5 B 8 G - 5 @ 9 B C H 6 9 F 9 0 F C 8 1 7 9 8  
C F H 5 B G F 9 9 H C C H 9 F B C 7 1 A 9 8 H C F  
8 9 7 4 8 0 9 H C C H 9 G 9 C F 1 0 9 8 : C F 5 B M  
D I F D C 6 7 C H 9 F H 5 B H 5 H K < 7 < H K 5 G  
C 6 5 8 9 8 K + C 1 H 9 9 L D F 9 0 9 8 K F H 9 8  
7 C B 9 8 H C : G 5 A H 7 2 B 7 "

A 5 H F 5 @ 8 C ' B C H 7 5 @ 9 8 5 K B : G - 9 9 H 7 5 @ 9 % ) . %

B G @ H C F . @ D 2 7 C @ C F . 6 @ 5 7 7  
H F A - B 5 @ D < C G 6 F C B N  
: F C I B 8 D @ 5 B 9 : D < C G 6 F C B N

: : P 8 K ; P A @ 7 P A 7 H P E H Q L L L L L L ! L L ! 8 ! L L ! 7 H @ 8 8 F K

**samtec**

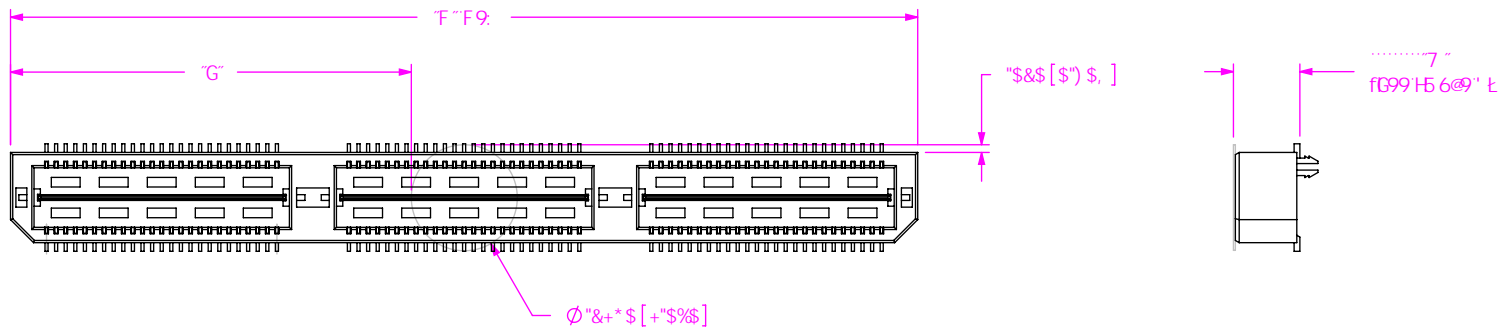
) & S D 5 F ? 9 5 G H 6 @ 8 2 B 9 K 5 @ 6 5 B M B ( + ) \$  
D < C B 9 . % & - ! ! \* + ' : : : 5 L ; % & - ( , ) \$ ( +  
Y I A U J ; b z 4 G 5 A H 7 ' w a ' : : : ' W E X Y ) . ' & "

8 9 7 F 9 H C B .  
< \* \* \* ) a a ' 8 C I 6 @ F C K ' < G H F A - B 5 @ 5 G 9 A 6 @ M  
8 K : " B C "

E H Q L L L ! L L ! ! 8 ! L L

6 M 8 9 5 B D \* # & , # / - - G < 9 9 H % C : ' "

: ≐ "&  
 !? : DC @MA -89: A D58  
 fl G9?!8C H"&+\*" +)!"\$%)

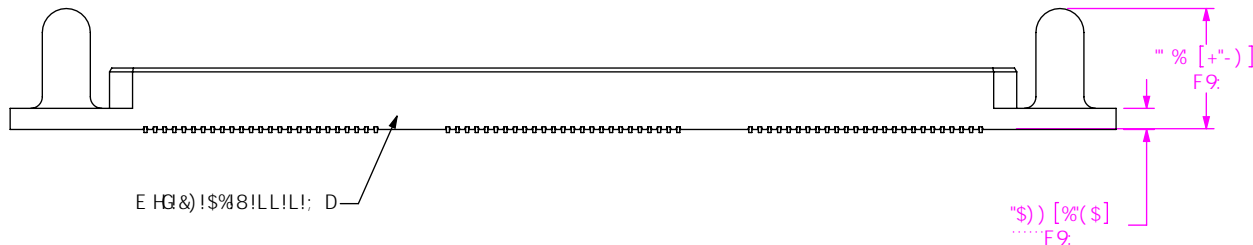
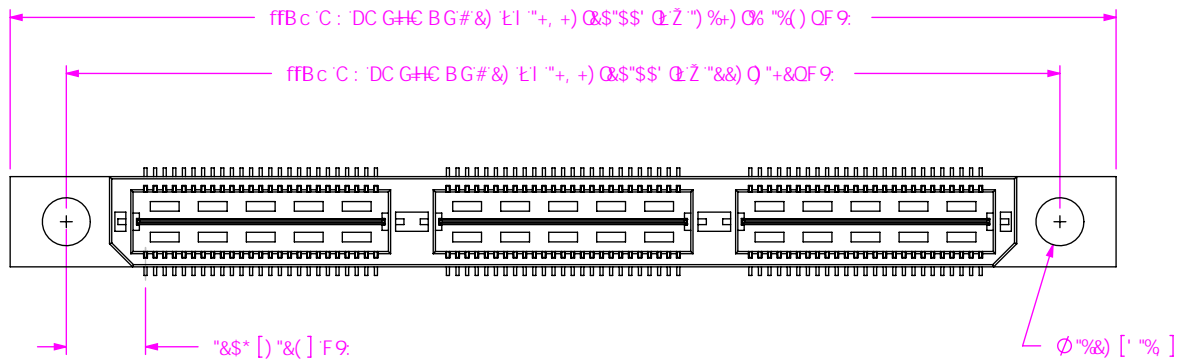


**TABLE 3**

| STYLE | "C"         |
|-------|-------------|
| -01   | .173[4.39]  |
| -02   | .291[7.39]  |
| -03   | .409[10.39] |
| -04   | .605[15.37] |
| -05   | .723[18.36] |
| -06   | .841[21.36] |

BC H9: "F" "1 fBc 'C : DC GHC BG#&) 'L1 "+, +) Q&\$"\$\$' Q  
 .....G"1 fffIF "!"&+\* Q"\$%Q# &L ±"\$&\$O) %Q

: ≐ "(  
 !: D.; I -89'DC GHC DHC B  
 @ ≐: 9F9BH5GG<CK BZC H: 9FK -G9G5A 9'5G: ≐ "%Q  
 f5J 5 -5 6 @ C B 'GHM9!\$%C B @M



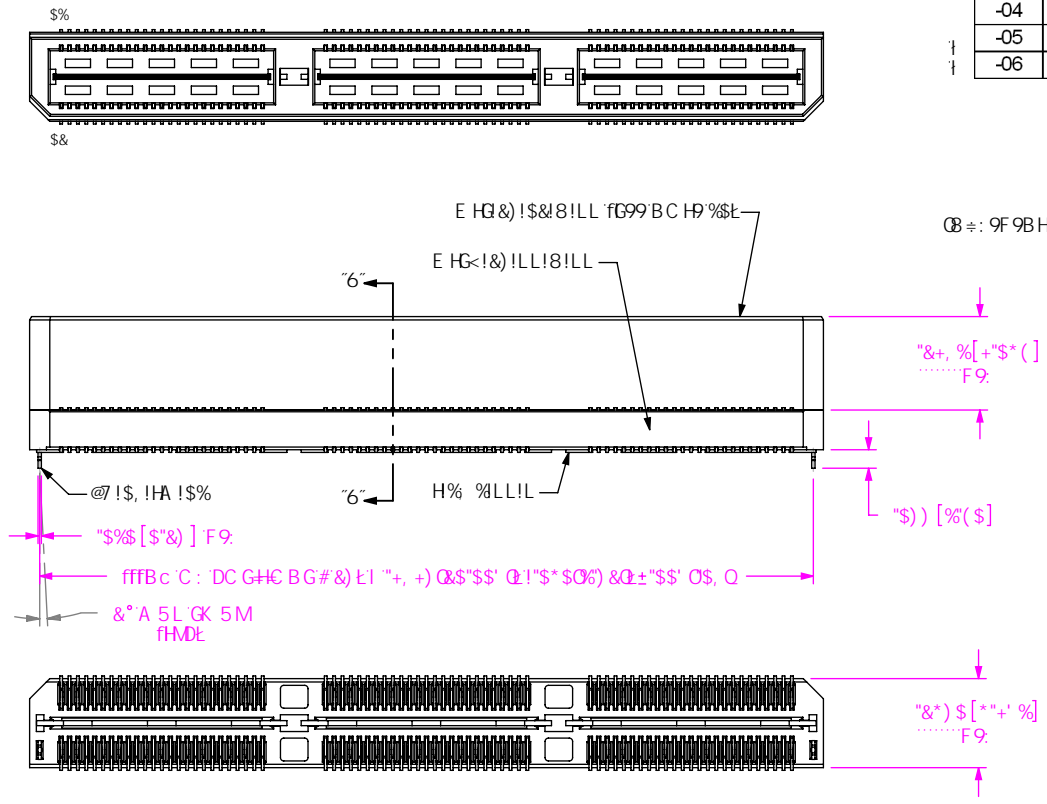
E H Q & ) ! \$ % 8 ! L L ! ! ! ; D

DFC DF 95 F M B C H 9  
 H: 68C 71 A 98H7 C B15 B G B: C F A 5 H C B  
 7 C B: 898 H 5 9 5 B 8 D C D F 9 4 5 F M C  
 G S A H 7 2 4 7 \* 5 B 8 G: 5 8 8 B C H 6 9 F 9 0 F C 8 1 7 9 8  
 C F H F 5 B G 9 F 9 8 H C C H: 9 F 8 C 7 1 A 9 8 H C F  
 8 4 7 @ 9 8 H C C H: 9 F G C F 1 9 8 : C F 5 B M  
 D I F D C 9 C H: 9 F H: 5 B H: 5 H K < 7 < H K 5 G  
 C 6 1 5 B 9 8 K H: C I H H: 9 9 L D F 9 0 9 8 K F H 9 8  
 7 C B G 9 8 H C: G S A H 7 2 4 7 \*  
 8 C ' B C H G 7 5 @ 9 8 F 5 K - B:  
 G: 9 9 H G 7 5 @ 9 & %

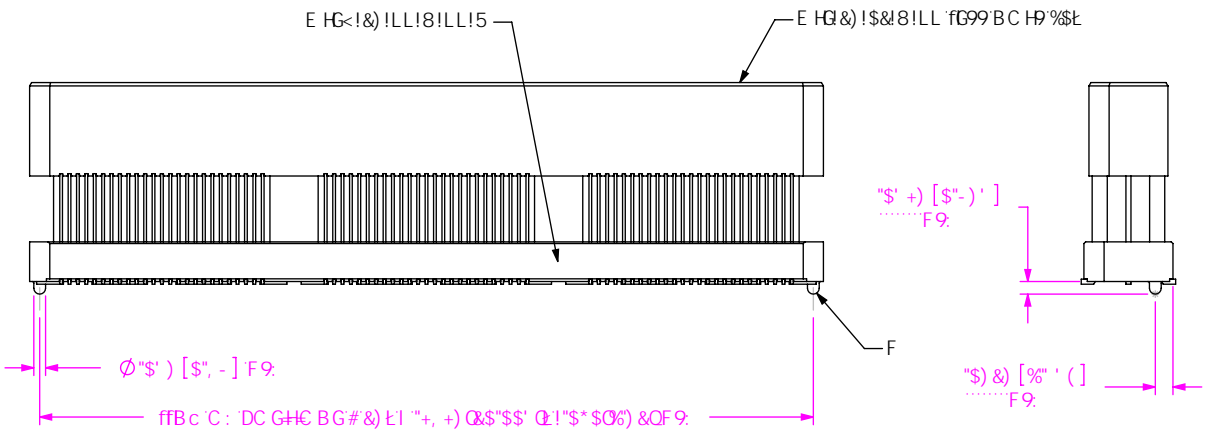
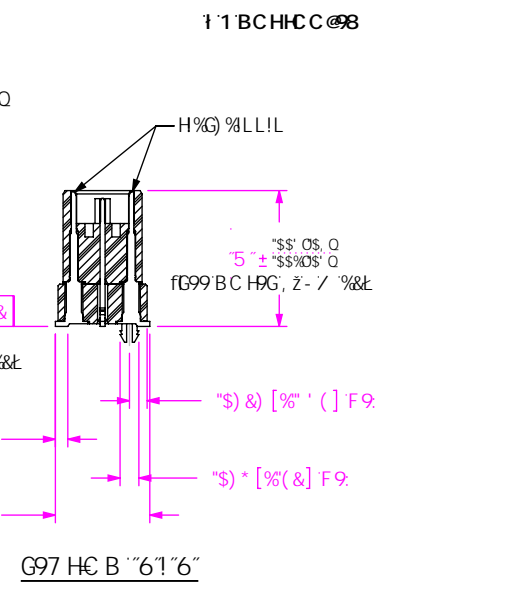


) & \$ D 5 F ? 9 5 G H 6 @ 8 2 B 9 K 5 @ 5 B M B ( + ) \$  
 D < C B 9 ; % & L - ( ( ! \* + ' : ; : S L ; % & L - ( , ) \$ ( +  
 Y I A U J ; ) b z : 4 G S A H 7 \* W c a ..... W E X Y . ) ' & &  
 8 9 6 7 F @ H C B:  
 < " \* ' ) a a ' 8 C I 6 @ 9 F C K ' < G H F A B 5 @ 5 G 9 A 6 @ M  
 8 K : " B C \*  
**E H Q L L L ! L L ! ! 8 ! L L**  
 6 M 8 9 5 B D \* # & , # % - - - G < 9 9 H & C : ' "

| TABLE 4 |                |              |             |                    | MATED HEIGHT WITH QSS-01 |
|---------|----------------|--------------|-------------|--------------------|--------------------------|
| STYLE   | "A"            | GROUND PLANE | TERMINAL    | BOTTOM SPACER BODY |                          |
| -03     | .4043 [10.269] | T-1G1-03-X   | T-1S51-03-X | QTSH-25-01-D-XX-X  | .433 [11.00] REF         |
| -04     | .6001 [15.246] | T-1G1-04-X   | T-1S51-04-X | QTSH-25-01-D-XX-X  | .630 [16.00] REF         |
| -05     | .7181 [18.240] | T-1G1-05-X   | T-1S51-05-X | QTSH-25-02-D-XX-X  | .748 [19.00] REF         |
| -06     | .8361 [21.237] | T-1G1-06-X   | T-1S51-06-X | QTSH-25-02-D-XX-X  | .866 [22.00] REF         |



≅ ""  
E HG<)!\$' !L!8!@' G<CK B  
Q8 : 9F9BH5GG<C K B ZC H 9FK -G9 G5A 9'5G: ± "" Q



!5. 5@ BA 9BHD-B 'C DHC B  
Q8 : 9F9BH5GG<C K B ZC H 9FK -G9 G5A 9'5G: ± "" Q  
fGHM@!'\$' Z!(Z!\$) / '!'\*\$' L

:.PBK : PA 67 PA 7H PE HGLLLLLLLL!8!LLIA ?HG88FK

DFC DF 9H5 FMBC H9  
H: 6BC 71A 9B H7 C B H B G B : C FA 5HC B  
7 C B : 89B H 5 B 8 D F C D F 9H F M C  
GSA H 7 Z B 7 5 B 8 G 5 M B C H 9 F 9 D C 81 7 9 B  
C F H F 5 B G 9 F 9 B H C H 9 F 8 C 7 1 A 9 B H C F  
B 47 @ 9 8 H C H 9 F G C F 1 9 B : C F 5 B M  
D F D C 9 C H 9 F H 5 B H 5 H K < 7 < H K 5 G  
C 6 H 5 B 9 K H C 1 H H 9 9 L D F 9 C 9 B K F H 9 B  
7 C B 9 9 B H C : GSA H 7 Z B 7 \*



8967 F DHC B.  
<"\*!) a a '8C I 6@ FCK ' <GH F A -B 5 @ 5 G 9 A 6 @ M  
8K : "BC"  
**E HG L L L ! L L ! 8 ! L L**  
6M 895 B D \* # &, # % - - - G<99H''' C: ' "