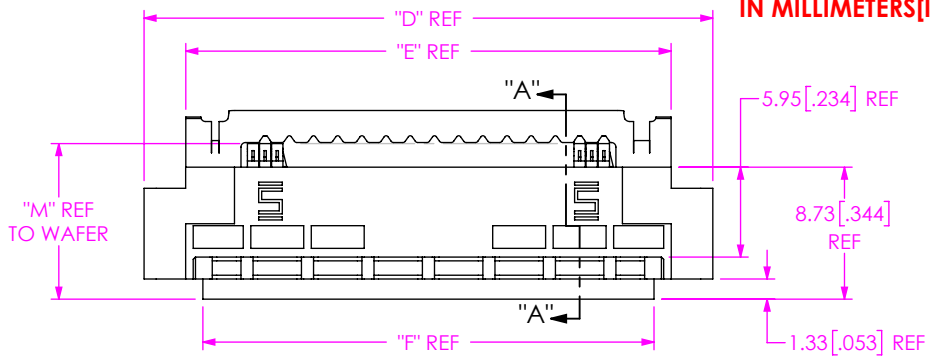


DO NOT SCALE FROM THIS PRINT

DESIGNED & DIMENSIONED IN MILLIMETERS [INCHES]

SEAF8-XX-X-X-XX-X-RA-XX



- No. OF POSITIONS**
 *-10, -20, -30, -40, -50 (PER ROW)
- LEAD STYLE**
 -1
- PLATING SPECIFICATION**
 -S: 30μ" SELECTIVE GOLD IN CONTACT AREA, MATTE TIN ON TAIL (USE SUB-IM-C-293-XX-XX-S-X)
- OPTION**
 -GP: GUIDE POST
- RIGHT ANGLE**
 -RA
- SOLDER COMPOSITION & STYLE**
 2: 95.5% TIN / 3.8% SILVER / 0.7% COPPER LEAD FREE CHARGE TAIL (USE SUB-IM-C-293-XX-XX-X-2)
- No. OF ROWS**
 -04: 4 ROWS (ONLY AVAILABLE IN 50 POSITION)
 *-06: 6 ROWS
 -08: 8 ROWS (SEE NOTE 8)
 -10: 10 ROWS (SEE NOTE 8)
- (* = NOT TOOLED)

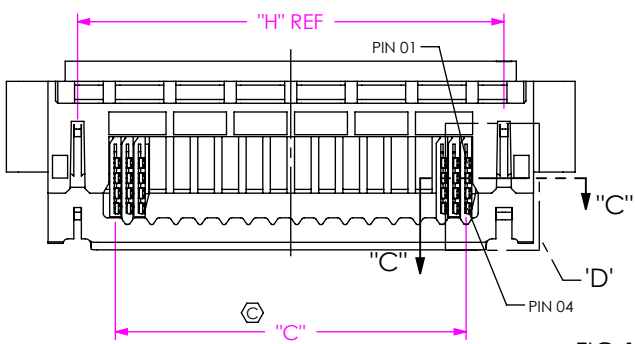
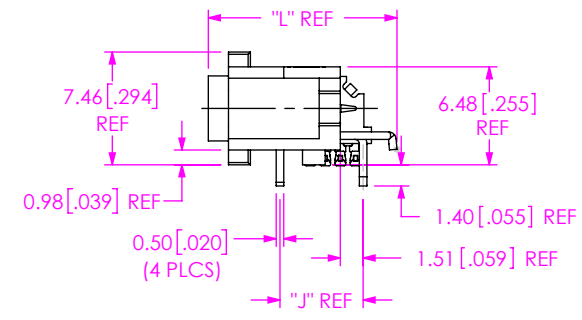
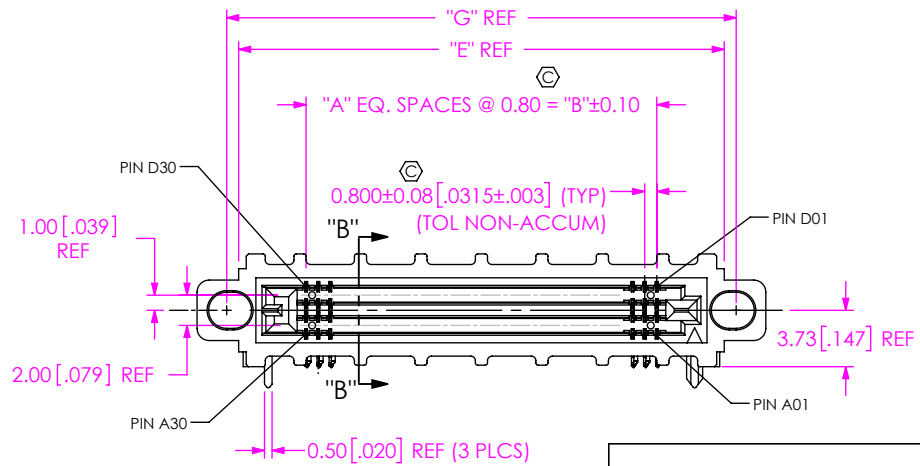


FIG 1 (SEAF8-30-1-X-04-X-RA-GP SHOWN) (SOME CENTER FEATURES REMOVED FOR CLARITY (NOT TOOLED))

- NOTES:
1. REPRESENTS A CRITICAL DIMENSION.
 2. MINIMUM PUSHOUT FORCE: 2.22N [5 LB].
 3. NOTE DELETED.
 4. TAPE & REEL IS STANDARD PACKAGING.
 5. FOR QUANTITIES UP TO 49 PCS., NO LEADER, TRAILER OR REEL WILL BE SUPPLIED, FOR QUANTITIES OF 50-124 PCS., NO LEADER OR TRAILER WILL BE SUPPLIED, SPLICES MAY BE PRESENT.
 6. ATTACH LABEL "SEAX-0001" TO EACH TAPE & REEL PACKAGE.
 7. MINIMUM PUSHOUT FORCE: 8.9N [2.0 LB.]
 8. -08 & -10 ROW ARE RELEASED FOR NITROGEN ENVIRONMENT PROCESSING ONLY. NOT RECOMMENDED FOR AIR ONLY PROCESSING

TABLE 2

ROWS	"J"	"K"	"L"	"M"	"N"	"P"	"Q"	"R"
-04	5.50 [0.217]	9.42 [0.371]	12.48 [0.491]	10.29 [0.405]	10.24 [0.403]	0.55 [0.022]	0.21 [0.008]	0.71 [0.028]
*-06	7.50 [0.295]	11.42 [0.450]	14.48 [0.570]	12.29 [0.484]	12.24 [0.482]	0.65 [0.026]	0.22 [0.009]	0.72 [0.028]
-08	9.50 [0.374]	13.42 [0.528]	16.48 [0.649]	14.29 [0.563]	14.24 [0.561]	0.65 [0.026]	0.22 [0.009]	0.72 [0.028]
-10	11.50 [0.453]	15.42 [0.607]	18.48 [0.728]	16.29 [0.641]	16.24 [0.639]	0.65 [0.026]	0.22 [0.009]	0.72 [0.028]

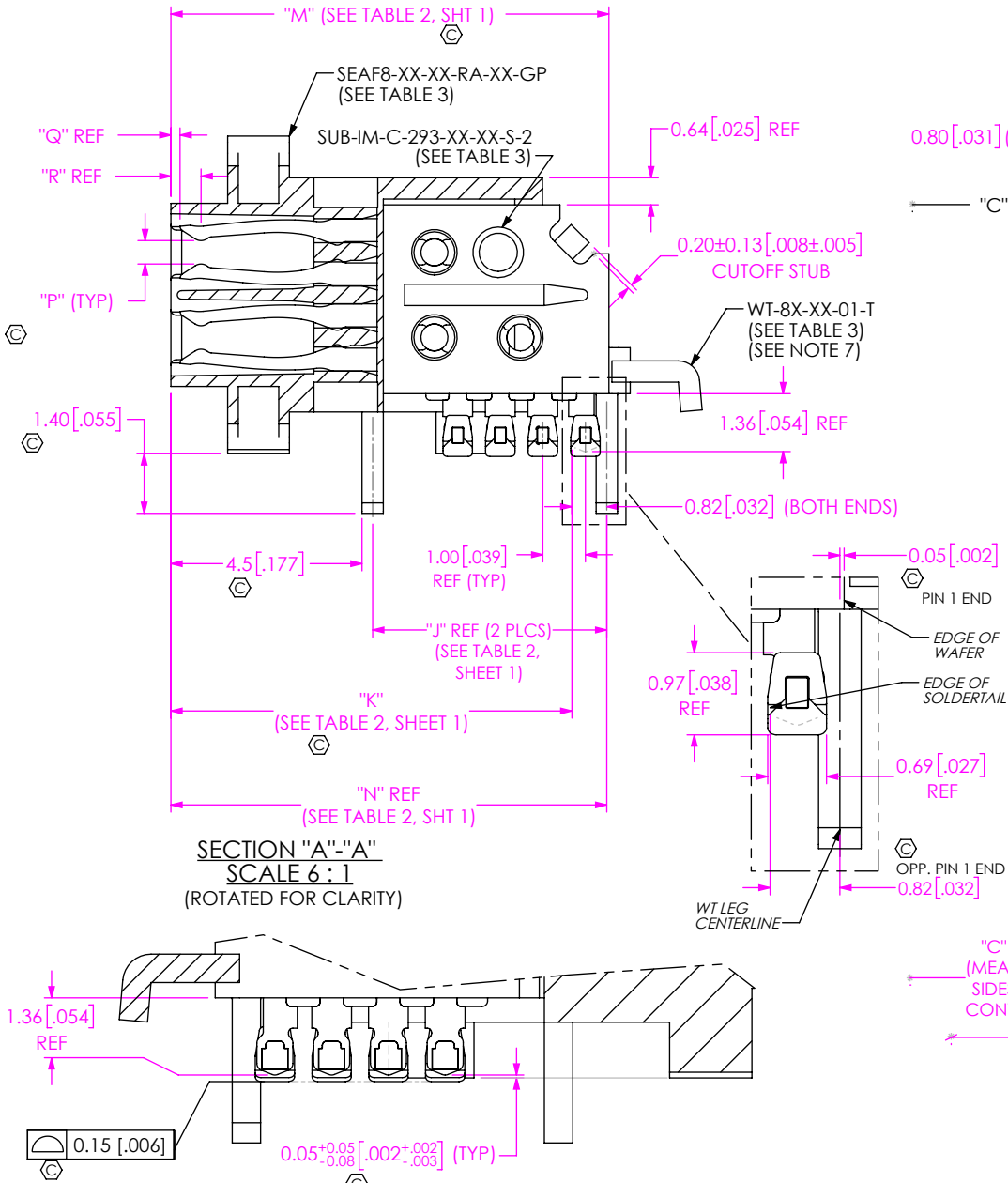
(* = NOT TOOLED)

TABLE 1

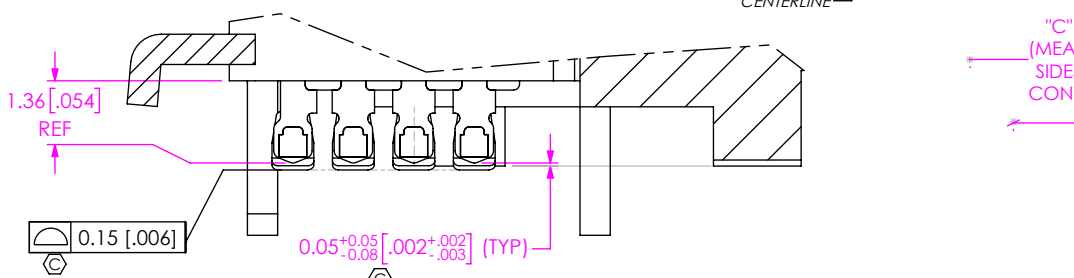
No. OF POS	"A"	"B"	"C"	"D"	"E"	"F"	"G"	"H"
*-10	9	7.200 [0.2835]	7.20 [0.283]	21.62 [0.851]	16.12 [0.635]	13.84 [0.545]	17.70 [0.697]	12.20 [0.487]
-20	19	15.200 [0.5984]	15.20 [0.598]	29.62 [1.166]	24.12 [0.950]	21.84 [0.860]	25.70 [1.012]	20.20 [0.802]
-30	29	23.200 [0.9134]	23.20 [0.913]	37.62 [1.481]	32.12 [1.265]	29.84 [1.175]	33.70 [1.327]	28.20 [1.117]
-40	39	31.200 [1.2283]	31.20 [1.228]	45.62 [1.796]	40.12 [1.580]	37.84 [1.490]	41.70 [1.642]	36.20 [1.432]
-50	49	39.200 [1.5433]	39.20 [1.543]	53.62 [2.111]	48.12 [1.894]	45.84 [1.805]	49.70 [1.957]	44.20 [1.747]

(* = NOT TOOLED)

<p>UNLESS OTHERWISE SPECIFIED, DIMENSIONS ARE IN MILLIMETERS [INCHES].</p> <p>TOLERANCES ARE:</p> <p>DECIMALS ANGLES</p> <p>X.X: ±0.3 [0.1] 2°</p> <p>X.XX: ±0.13 [0.05]</p> <p>X.XXX: ±0.051 [0.020]</p>	<p>PROPRIETARY NOTE</p> <p>THIS DOCUMENT CONTAINS CONFIDENTIAL AND PROPRIETARY INFORMATION AND ALL DESIGN, MANUFACTURING, REPRODUCTION, USE, PATENT RIGHTS AND SALES RIGHTS ARE EXPRESSLY RESERVED BY SAMTEC, INC. THIS DOCUMENT SHALL NOT BE DISCLOSED, IN WHOLE OR PART, TO ANY UNAUTHORIZED PERSON OR ENTITY NOR REPRODUCED, TRANSFERRED OR INCORPORATED IN ANY OTHER PROJECT IN ANY MANNER WITHOUT THE EXPRESS WRITTEN CONSENT OF SAMTEC, INC.</p>	<p>520 PARK EAST BLVD, NEW ALBANY, IN 47150 PHONE: 812-944-6733 FAX: 812-948-5047 e-Mail: info@SAMTEC.com code 53322</p>
<p>DESCRIPTION: 0.80MM PITCH RA SOCKET ARRAY ASSY</p>		<p>DWG. NO. SEAF8-XX-X-X-XX-X-RA-XX</p>
<p>BY: KNOWLDEN 7/9/2013 SHEET 1 OF 4</p>		



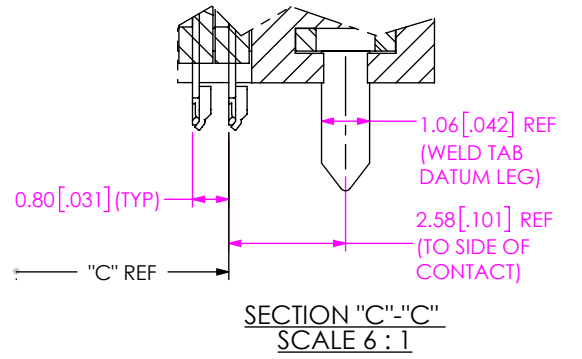
SECTION "A"-"A"
SCALE 6 : 1
(ROTATED FOR CLARITY)



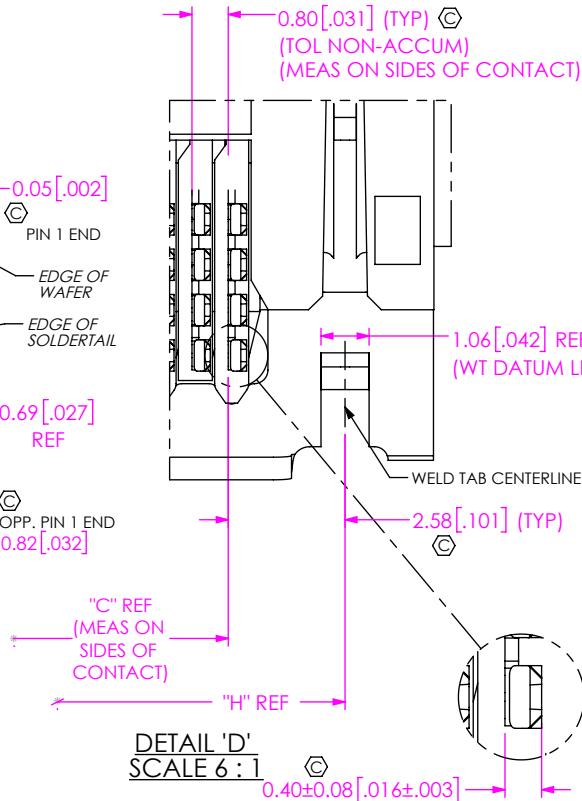
SECTION "B"-"B"
SCALE 8 : 1

TABLE 3			
ROWS	"BODY CALLOUT"	"CONTACT WAFER"	"WELD TAB"
-04	SEAF8-XX-XX-RA-04-XX	SUB-IM-C-293-XX-04-X-X	WT-82-XX-01-T
*-06	SEAF8-XX-XX-RA-06-XX	SUB-IM-C-293-XX-06-X-X	WT-82-XX-02-T
-08	SEAF8-XX-XX-RA-08-XX	SUB-IM-C-293-XX-08-X-X	WT-85-XX-01-T
-10	SEAF8-XX-XX-RA-10-XX	SUB-IM-C-293-XX-10-X-X	WT-85-XX-02-T

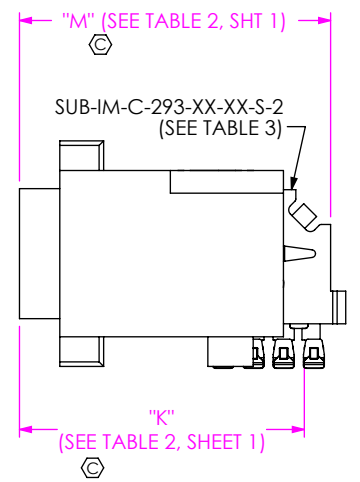
(* = NOT TOOLED)



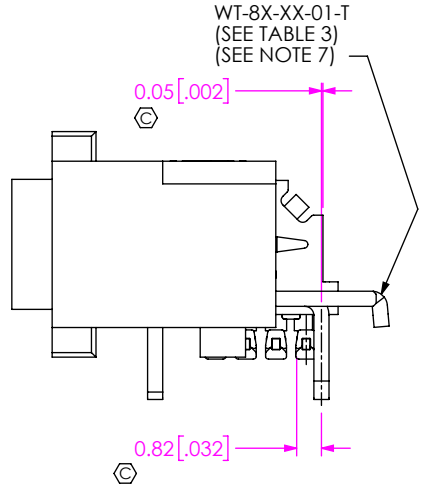
SECTION "C"-"C"
SCALE 6 : 1



DETAIL "D"
SCALE 6 : 1



IN-PROCESS 1
(FILL SUB-IM-C-293)
(TYPICAL ALL WAFERS)



IN-PROCESS 2
(FILL WT-8X-XX-T)

PROPRIETARY NOTE
THIS DOCUMENT CONTAINS CONFIDENTIAL AND PROPRIETARY INFORMATION AND ALL DESIGN, MANUFACTURING, REPRODUCTION, USE, PATENT RIGHTS AND SALES RIGHTS ARE EXPRESSLY RESERVED BY SAMTEC, INC. THIS DOCUMENT SHALL NOT BE DISCLOSED, IN WHOLE OR PART, TO ANY UNAUTHORIZED PERSON OR ENTITY NOR REPRODUCED, TRANSFERRED OR INCORPORATED IN ANY OTHER PROJECT IN ANY MANNER WITHOUT THE EXPRESS WRITTEN CONSENT OF SAMTEC, INC.

DO NOT SCALE DRAWING
SHEET SCALE: 2:1



520 PARK EAST BLVD, NEW ALBANY, IN 47150
PHONE: 812-944-6733 FAX: 812-948-5047
e-Mail info@SAMTEC.com code 55322

DESCRIPTION:
0.80MM PITCH RA SOCKET ARRAY ASSY

DWG. NO.
SEAF8-XX-X-X-XX-X-RA-XX

BY: KNOWLDEN 7/9/2013 SHEET 2 OF 4

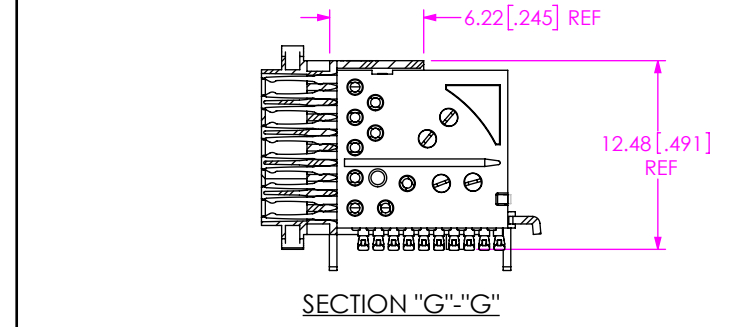
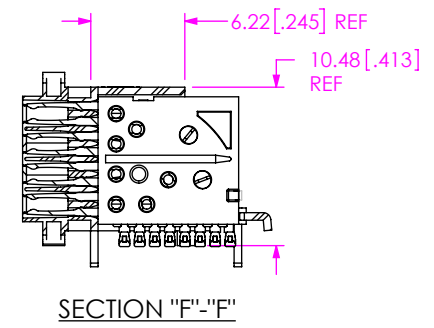
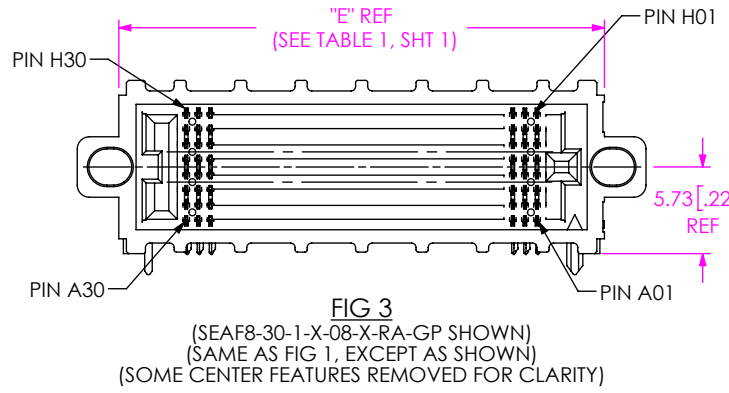
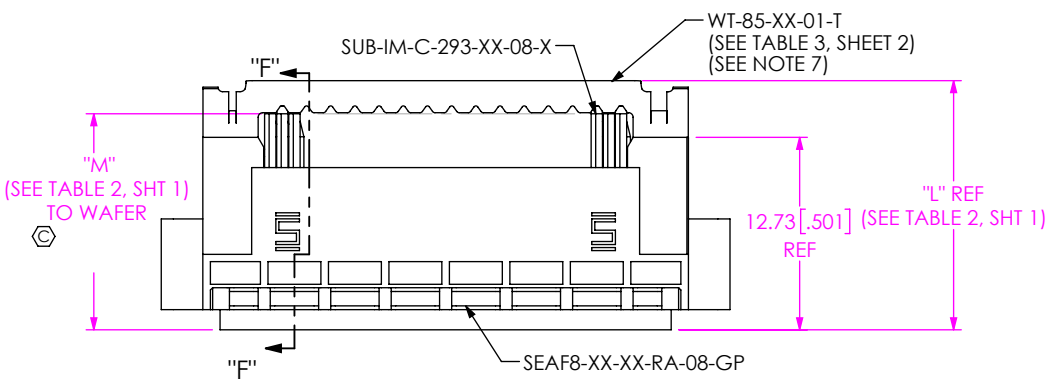
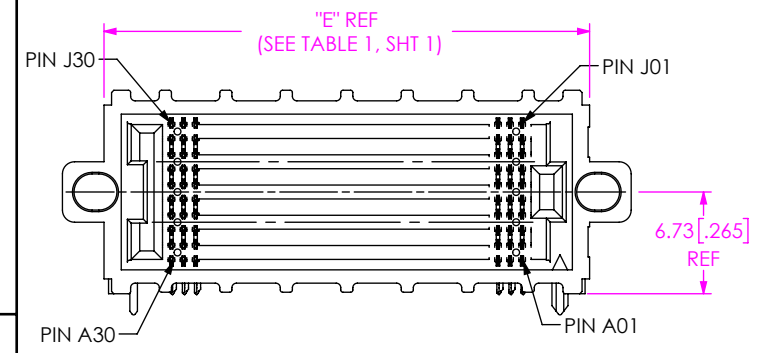
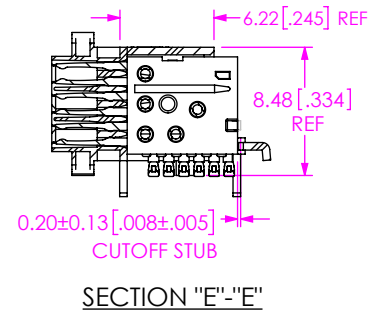
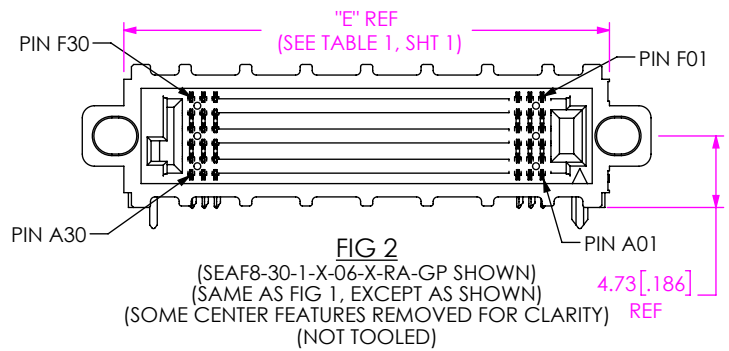
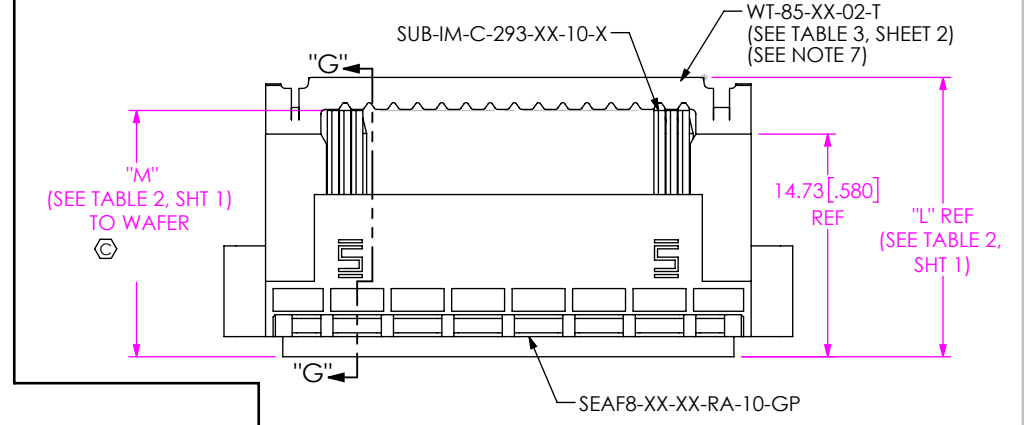
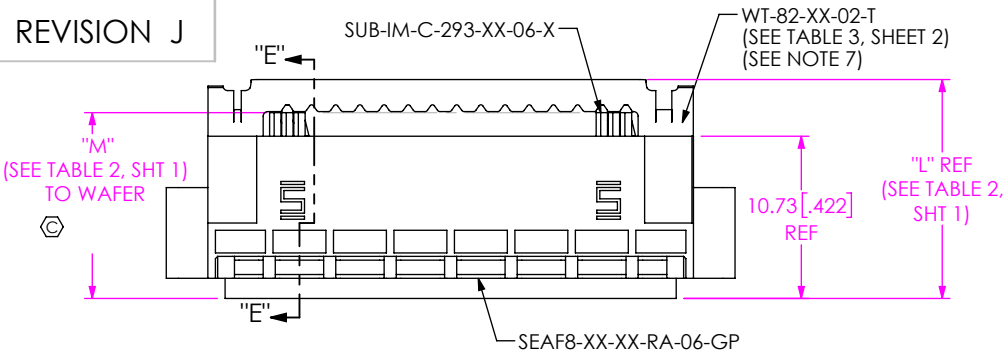


FIG 4
(SEAF8-30-1-X-10-X-RA-GP SHOWN)
(SAME AS FIG 1, EXCEPT AS SHOWN)
(SOME CENTER FEATURES REMOVED FOR CLARITY)

PROPRIETARY NOTE
THIS DOCUMENT CONTAINS CONFIDENTIAL AND PROPRIETARY INFORMATION AND ALL DESIGN, MANUFACTURING, REPRODUCTION, USE, PATENT RIGHTS AND SALES RIGHTS ARE EXPRESSLY RESERVED BY SAMTEC, INC. THIS DOCUMENT SHALL NOT BE DISCLOSED, IN WHOLE OR PART, TO ANY UNAUTHORIZED PERSON OR ENTITY NOR REPRODUCED, TRANSFERRED OR INCORPORATED IN ANY OTHER PROJECT IN ANY MANNER WITHOUT THE EXPRESS WRITTEN CONSENT OF SAMTEC, INC.

DO NOT SCALE DRAWING
SHEET SCALE: 2:1

samtec
520 PARK EAST BLVD, NEW ALBANY, IN 47150
PHONE: 812-944-6733 FAX: 812-948-5047
e-Mail info@SAMTEC.com code 55322

DESCRIPTION:
0.80MM PITCH RA SOCKET ARRAY ASSY
DWG. NO.
SEAF8-XX-X-XX-X-RA-XX
BY: KNOWLDEN 7/9/2013 SHEET 3 OF 4

NO GUIDE POST VERSION

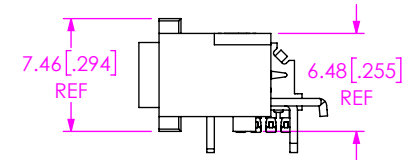
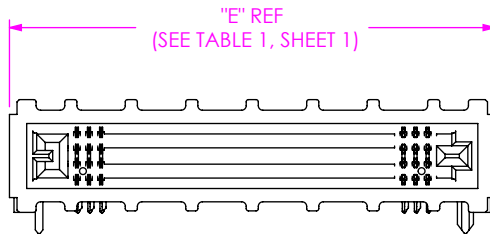
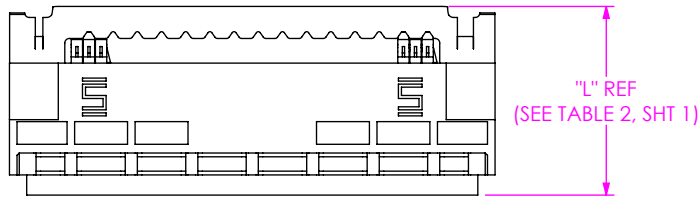


FIG 5
 (SEAF8-30-1-X-04-X-RA SHOWN)
 (SAME AS FIG 1, EXCEPT AS SHOWN)
 (SOME CENTER FEATURES REMOVED FOR CLARITY)
 (NOT TOOLED)

• PROPRIETARY NOTE •
 THIS DOCUMENT CONTAINS CONFIDENTIAL AND PROPRIETARY INFORMATION AND ALL DESIGN, MANUFACTURING, REPRODUCTION, USE, PATENT RIGHTS AND SALES RIGHTS ARE EXPRESSLY RESERVED BY SAMTEC, INC. THIS DOCUMENT SHALL NOT BE DISCLOSED, IN WHOLE OR PART, TO ANY UNAUTHORIZED PERSON OR ENTITY NOR REPRODUCED, TRANSFERRED OR INCORPORATED IN ANY OTHER PROJECT IN ANY MANNER WITHOUT THE EXPRESS WRITTEN CONSENT OF SAMTEC, INC.

DO NOT SCALE DRAWING

SHEET SCALE: 2:1



520 PARK EAST BLVD. NEW ALBANY, IN 47150
 PHONE: 812-944-6733 FAX: 812-948-5047
 e-Mail info@SAMTEC.com code 55322

DESCRIPTION:
 0.80MM PITCH RA SOCKET ARRAY ASSY

DWG. NO.
 SEAF8-XX-X-X-XX-X-RA-XX

BY: KNOWLDEN 7/9/2013 SHEET 4 OF 4