

DO NOT SCALE FROM THIS PRINT

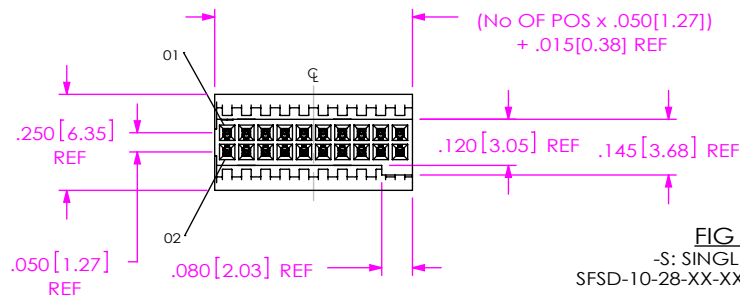


FIG 1  
-S: SINGLE END  
SFSFD-10-28-XX-XX.XX-S SHOWN

SFSFDX-XX-XXX-XX-XX.XX-XX-XXX

FEP CABLE OPTION  
-T: FEP (LEAVE BLANK FOR STANDARD PVC INSULATION)

No OF POSITIONS  
-02 THRU -50 (PER ROW)

WIRE GAUGE (AWG)  
-28, -30

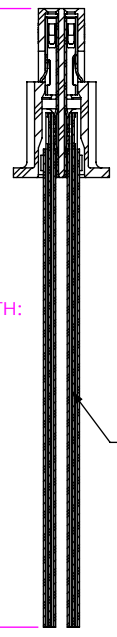
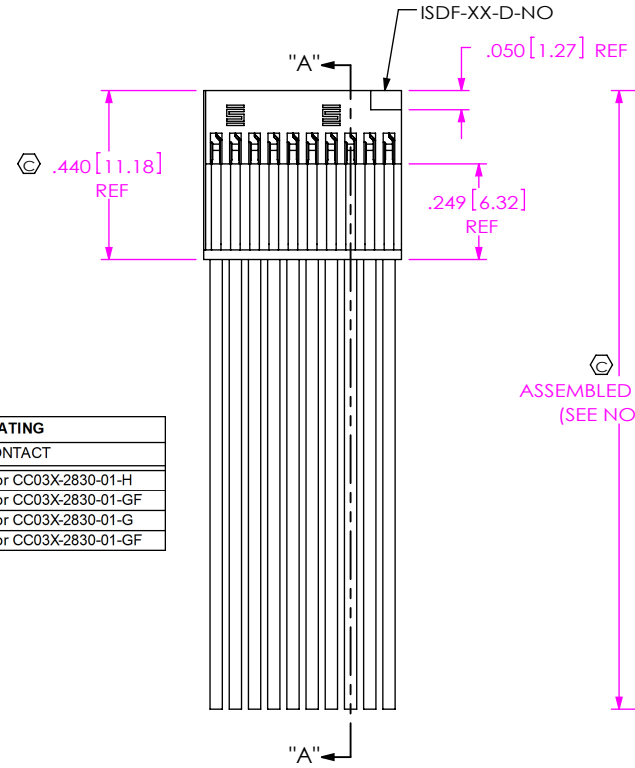
COLOR CODE:  
LEAVE BLANK FOR ALL BLACK WIRE  
C: COLOR CODED WIRE (SEE TABLE 4, SHEET 3)  
(NOT AVAILABLE FOR TEFLON OPTION, TEFLON CABLE ONLY AVAILABLE IN BLUE)

PLATING SPECIFICATION  
-H: 30µ" HEAVY GOLD IN CONTACT AREA, 3µ" GOLD ON TAIL  
-G: 10µ" LIGHT GOLD IN CONTACT AREA, 3µ" GOLD ON TAIL  
-F: 3µ" FLASH GOLD IN CONTACT AREA, 3µ" GOLD ON TAIL  
-GF: 3µ" FLASH SELECTIVE IN CONTACT AREA, 3µ" GOLD ON TAIL (ONLY AVAILABLE TO EXISTING CUSTOMERS; SEE -F PLATING) (SEE TABLE 3, SHEET 1)

ASSEMBLED LENGTH SPECIFY IN INCHES  
(SINGLE END: 03.00 INCH [76.2mm] MINIMUM, DOUBLE END: 03.25 INCH [82.6mm] MINIMUM)

-NXX OPTION (END 2)  
(ONLY AVAILABLE WITH -D, -DL, -DR & -DS)  
-NUS: NOTCH UP, STRAIGHT (PIN 1 TO PIN N-1)  
-NDS: NOTCH DOWN, STRAIGHT (PIN 1 TO PIN 2)  
-NUX: NOTCH UP, CROSSED (PIN 1 TO PIN N)  
-NDX: NOTCH DOWN, CROSSED (PIN 1 TO PIN 1)

END OPTION  
(END OPTION COMBINATIONS NOT AVAILABLE)  
-S: SINGLE END  
-D: DOUBLE END (MUST CHOOSE FROM -NXX OPTIONS)  
-SL: SINGLE ENDED WITH FRICTION LOCK (SEE SHEET 2, FIG 3)(ONLY AVAILABLE ON \*5,\*7, 10 THRU 50 POSITION)  
-DL: DOUBLE ENDED WITH FRICTION LOCK (SEE SHEET 2, FIG 4) (ONLY AVAILABLE ON \*5,\*7, 10 THRU 50 POSITION) (MUST CHOOSE FROM -NXX OPTIONS)  
-SR: SINGLE ENDED WITH RETENTION LATCH (SEE SHEET 3, FIG 5)  
-DR: DOUBLE ENDED WITH RETENTION LATCH (SEE SHEET 3, FIG 6) (ONLY AVAILABLE ON -02 THRU -50 POS) (MUST CHOOSE FROM -NXX OPTIONS)  
-SS: DUAL SCREW DOWN, SINGLE ENDED CABLE (SEE SHEET 4, FIG 7) (NOT AVAILABLE WITH OPTIONS SL, DL, SR & DR USES ISDF-XX-D-DS, CPS-RR-XX-XX-X & ACCRT-01)  
-DS: DUAL SCREW DOWN, DOUBLE ENDED CABLE (SEE SHEET 4, FIG 8) (NOT AVAILABLE WITH OPTIONS SL, DL, SR & DR USES ISDF-XX-D-DS, CPS-RR-XX-XX-X & ACCRT-01, MUST CHOOSE FROM NXXX OPTIONS)



SECTION "A"-"A"

TABLE 3: PLATING

PLATING	CONTACT
-H	C-203-2830-H or CC03X-2830-01-H
-GF	C-203-2830-GF or CC03X-2830-01-GF
-G	C-203-2830-G or CC03X-2830-01-G
-F	C-203-2830-GF or CC03X-2830-01-GF

(\* = NOT AVAILABLE WITH POLARIZATION KEY)

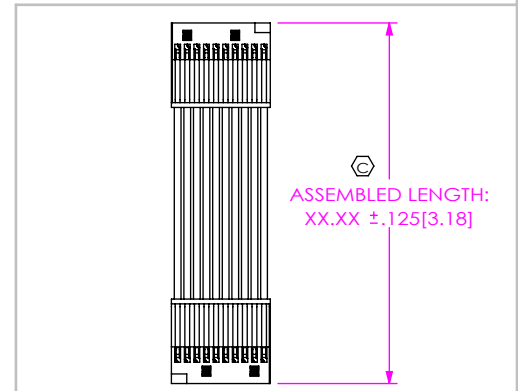
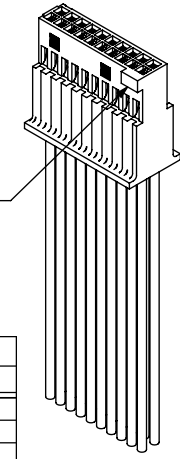


FIG 2  
-D: DOUBLE END  
SFSFD-10-28-XX-XX.XX-D-NUS SHOWN (SAME AS FIG 1, UNLESS OTHERWISE STATED)

NOTES:

1. Ⓢ REPRESENTS A CRITICAL DIMENSION.
2. MINIMUM PULLOUT FORCE: 3.0 LBS [13.3 N].
3. CONTACT MUST BE INSERTED UNTIL RETENTION FEATURE LOCKS INTO PLACE.
4. ALL FINISHED GOODS ARE TO BE ELECTRICAL TESTED INCLUDING HI-POT TEST AT 1000 VOLTS DC. AFTER FINAL ELECTRICAL TEST, LABEL EACH ASSEMBLY WITH 1 LABEL-ET STAMP ON THE BODY.
5. TINNED COPPER WIRE IS ROHS COMPLIANT.
6. NOTE DELETED.
7. NOTE DELETED.
8. FOR LENGTHS LESS THAN 12 in, TOLERANCE SHALL BE +/- .125.
9. FOR OTHER LENGTHS, TOLERANCE SHALL BE +/- 2%.
10. REFER TO CRIMP SPECIFICATIONS PRINT FOR CRIMP AND STRIP DIMENSIONS, TOLERANCES, TOOLING AND ITS REQUIREMENTS.
11. 3LB MIN WIRE CRIMP STRENGTH FOR -30 AWG AND 4.5LB MIN WIRE CRIMP STRENGTH FOR -28 AWG.
12. NOTE DELETED.
13. -TC TEFLON USE FOR DOUBLE ENDED ASSEMBLIES ONLY, ALL SINGLE ENDED ASSEMBLIES USE SILVER PLATED DWCT-XX-01.
14. CUT LENGTH IS ASSEMBLY LENGTH MINUS OVERALL LENGTH SUBTRACTOR.
15. NOTE DELETED.
16. SEE PACKAGING MANUAL FOR PACKAGING DETAILS.

TABLE 1

SERIES	WIRE GAUGE	CABLE
SFSFD	28 AWG	DWC-28-XX-300
SFSFD	30 AWG	DWC-30-XX-300
SFSDT (SEE NOTE 13)	28 AWG	DWCT-28-XX-TC
SFSDT (SEE NOTE 13)	30 AWG	DWCT-30-XX-TC

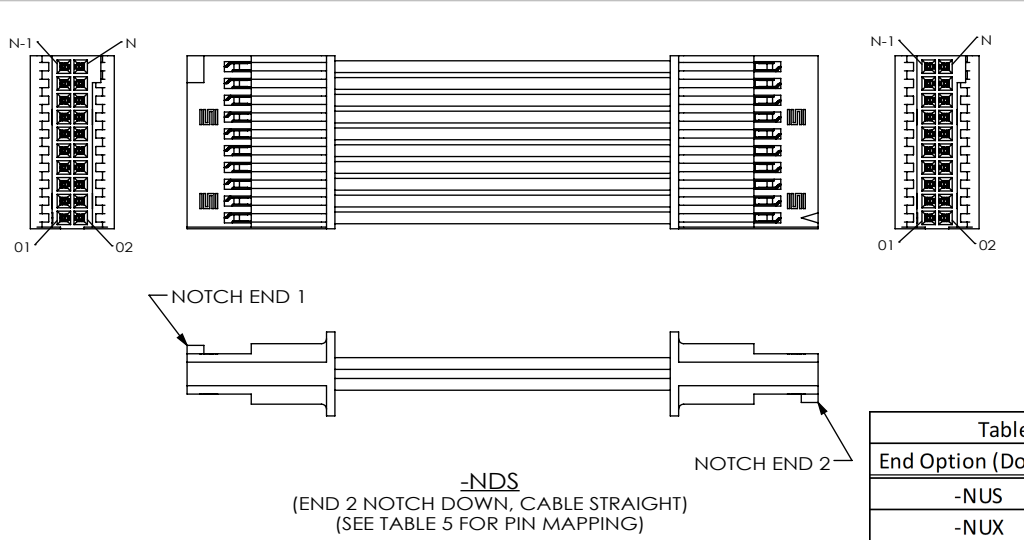
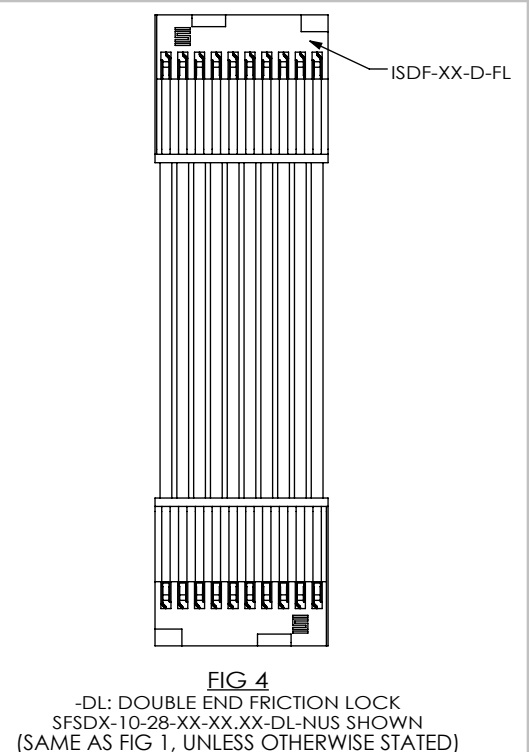
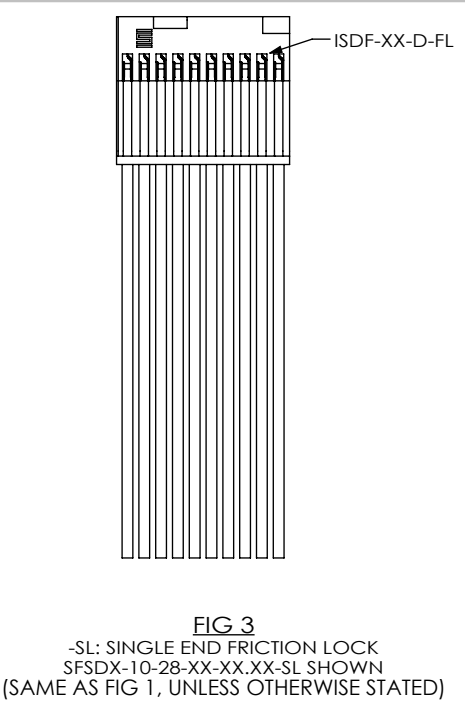
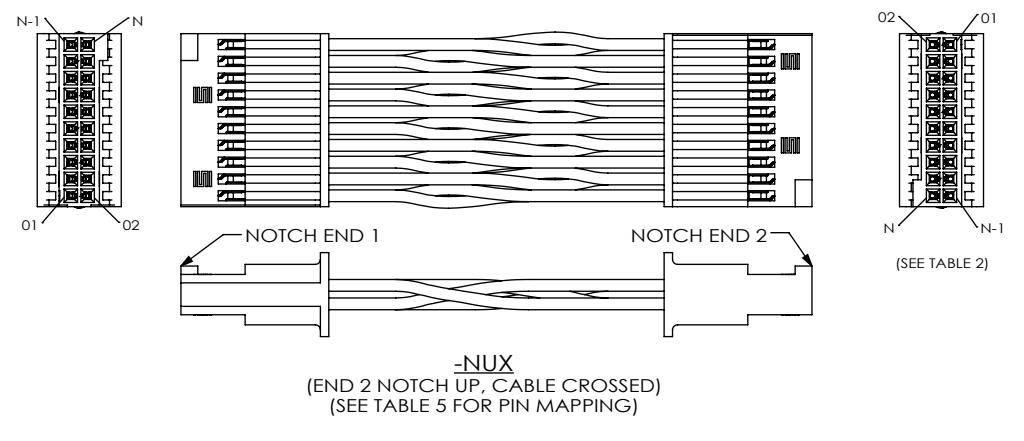
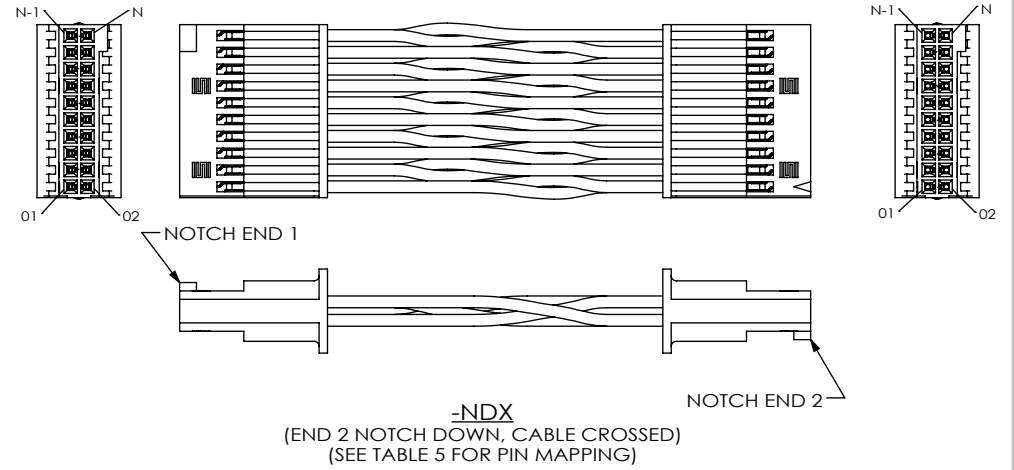
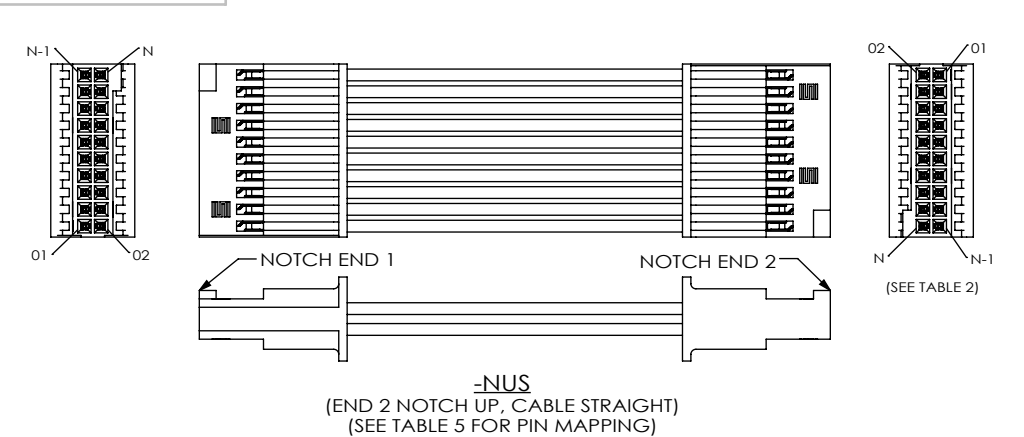
UNLESS OTHERWISE SPECIFIED, DIMENSIONS ARE IN INCHES.  
TOLERANCES ARE:  
DECIMALS ANGLES  
.XX: ±.01 [.3] 2°  
.XXX: ±.005 [.13]  
.XXXX: ±.0020 [.051]

PROPRIETARY NOTE  
THIS DOCUMENT CONTAINS CONFIDENTIAL AND PROPRIETARY INFORMATION AND ALL DESIGN, MANUFACTURING, REPRODUCTION, USE, PATENT RIGHTS AND SALES RIGHTS ARE EXPRESSLY RESERVED BY SAMTEC, INC. THIS DOCUMENT SHALL NOT BE DISCLOSED, IN WHOLE OR PART, TO ANY UNAUTHORIZED PERSON OR ENTITY NOR REPRODUCED, TRANSFERRED OR INCORPORATED IN ANY OTHER PROJECT IN ANY MANNER WITHOUT THE EXPRESS WRITTEN CONSENT OF SAMTEC, INC.

MATERIAL: DO NOT SCALE DRAWING SHEET SCALE: 2:1  
INSULATOR: LCP UL 94V-0, COLOR: BLACK  
CONTACT: BeCu  
CABLE INSULATION: PVC OR FEP  
WIRE: DWC: TINNED COPPER.

**samtec**  
520 PARK EAST BLVD, NEW ALBANY, IN 47150  
PHONE: 812-944-6733 FAX: 812-948-5047  
e-Mail info@SAMTEC.com code 55322

DESCRIPTION:  
.050[1.27] SOCKET DISCRETE CABLE ASSEMBLY  
DWG. NO. SFSFDX-XX-XXX-XX-XX.XX-XX-XXX  
BY: BRATCHER 5/5/2005 SHEET 1 OF 5



**Table 5- Pin Mapping**

End Option (Double)	END 1	END 2
-NUS	01	N-1
-NUX	01	N
NDS	01	2
-NDX	01	1

**PROPRIETARY NOTE**  
THIS DOCUMENT CONTAINS CONFIDENTIAL AND PROPRIETARY INFORMATION AND ALL DESIGN, MANUFACTURING, REPRODUCTION, USE, PATENT RIGHTS AND SALES RIGHTS ARE EXPRESSLY RESERVED BY SAMTEC, INC. THIS DOCUMENT SHALL NOT BE DISCLOSED, IN WHOLE OR PART, TO ANY UNAUTHORIZED PERSON OR ENTITY NOR REPRODUCED, TRANSFERRED OR INCORPORATED IN ANY OTHER PROJECT IN ANY MANNER WITHOUT THE EXPRESS WRITTEN CONSENT OF SAMTEC, INC.

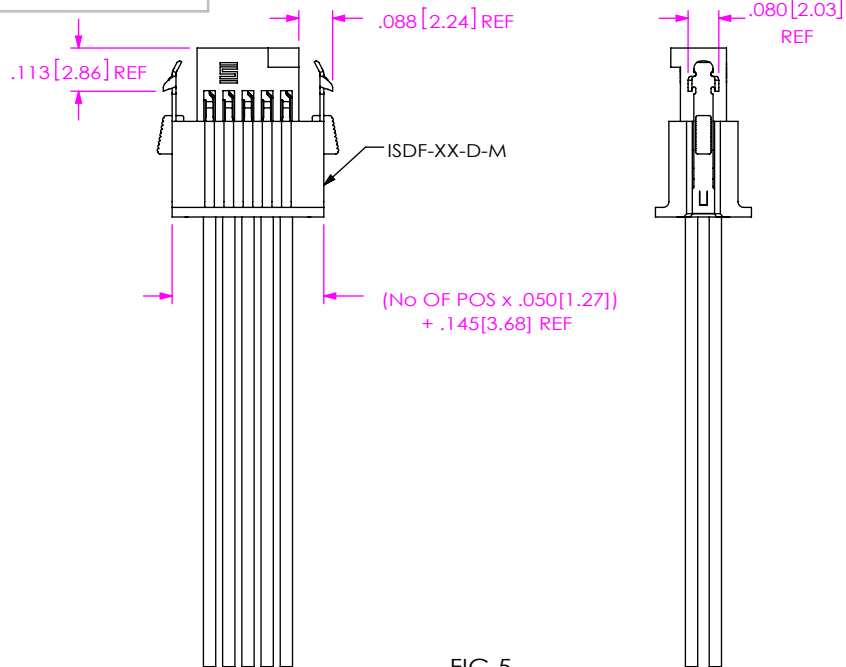
DO NOT SCALE DRAWING  
SHEET SCALE: 1:0.571429

520 PARK EAST BLVD, NEW ALBANY, IN 47150  
PHONE: 812-944-6733 FAX: 812-948-5047  
e-Mail info@SAMTEC.com code 55322

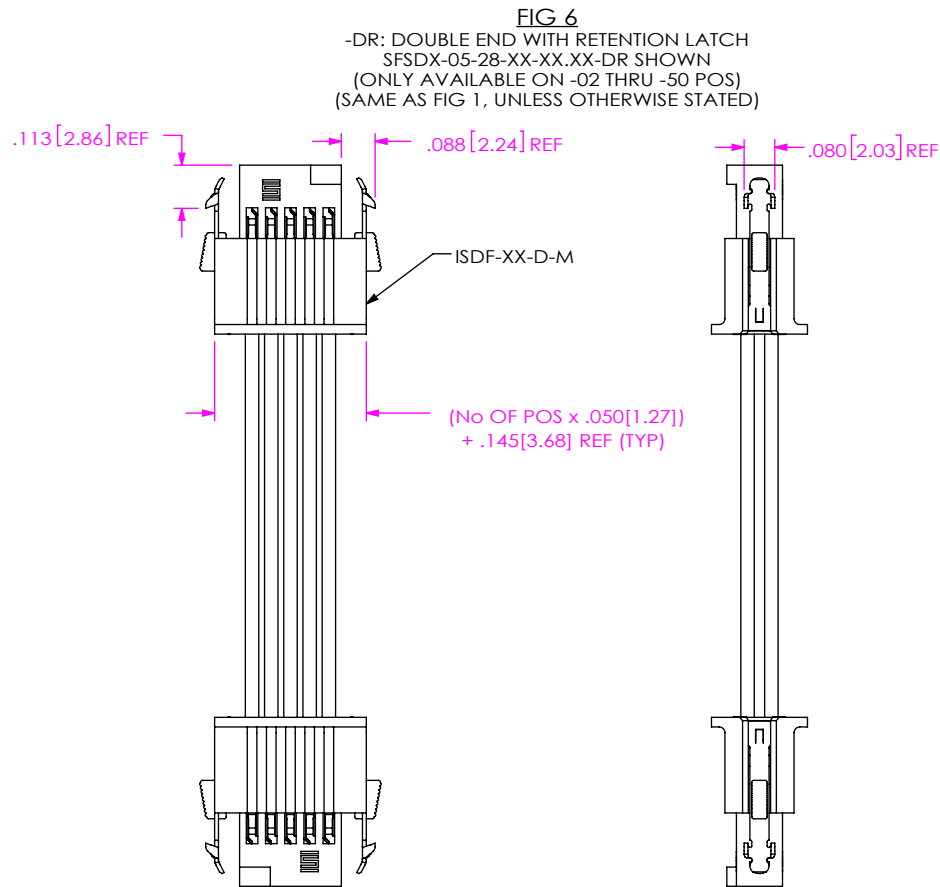
DESCRIPTION:  
.050[1.27] SOCKET DISCRETE CABLE ASSEMBLY

DWG. NO.  
**SFSDX-XX-XXX-XX-XX.XX-XX-XXX**

BY: BRATCHER 5/5/2005 SHEET 2 OF 5



**FIG 5**  
 -SR: SINGLE END WITH RETENTION LATCH  
 SFSDX-05-28-XX-XX.XX-SR SHOWN  
 (ONLY AVAILABLE ON -02 THRU -50 POS)  
 (SAME AS FIG 1, UNLESS OTHERWISE STATED)



**FIG 6**  
 -DR: DOUBLE END WITH RETENTION LATCH  
 SFSDX-05-28-XX-XX.XX-DR SHOWN  
 (ONLY AVAILABLE ON -02 THRU -50 POS)  
 (SAME AS FIG 1, UNLESS OTHERWISE STATED)

**TABLE 4**

**SFSD color coded wire sequence**

	<b>COLOR</b>									
	<b>brown</b>	<b>red</b>	<b>orange</b>	<b>yellow</b>	<b>green</b>	<b>violet</b>	<b>gray</b>	<b>white</b>	<b>black</b>	<b>blue</b>
	DWC-XX-01-300	DWC-XX-02-300	DWC-XX-03-300	DWC-XX-04-300	DWC-XX-05-300	DWC-XX-07-300	DWC-XX-08-300	DWC-XX-09-300	DWC-XX-10-300	DWC-XX-13-300
<b>pin #</b>	1	2	3	4	5	6	7	8	9	10
	11	12	13	14	15	16	17	18	19	20
	21	22	23	24	25	26	27	28	29	30
	31	32	33	34	35	36	37	38	39	40
	41	42	43	44	45	46	47	48	49	50
	51	52	53	54	55	56	57	58	59	60
	61	62	63	64	65	66	67	68	69	70
	71	72	73	74	75	76	77	78	79	80
	81	82	83	84	85	86	87	88	89	90
	91	92	93	94	95	96	97	98	99	100

**PROPRIETARY NOTE**  
 THIS DOCUMENT CONTAINS CONFIDENTIAL AND PROPRIETARY INFORMATION AND ALL DESIGN, MANUFACTURING, REPRODUCTION, USE, PATENT RIGHTS AND SALES RIGHTS ARE EXPRESSLY RESERVED BY SAMTEC, INC. THIS DOCUMENT SHALL NOT BE DISCLOSED, IN WHOLE OR PART, TO ANY UNAUTHORIZED PERSON OR ENTITY NOR REPRODUCED, TRANSFERRED OR INCORPORATED IN ANY OTHER PROJECT IN ANY MANNER WITHOUT THE EXPRESS WRITTEN CONSENT OF SAMTEC, INC.

DO NOT SCALE DRAWING

SHEET SCALE: 4:1



520 PARK EAST BLVD, NEW ALBANY, IN 47150  
 PHONE: 812-944-6733 FAX: 812-948-5047  
 e-Mail info@SAMTEC.com code 55322

DESCRIPTION:  
 .050 [1.27] SOCKET DISCRETE CABLE ASSEMBLY

DWG. NO.  
**SFSDX-XX-XXX-XX-XX.XX-XX-XXX**

BY: BRATCHER 5/5/2005 SHEET 3 OF 5

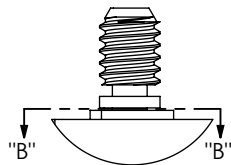
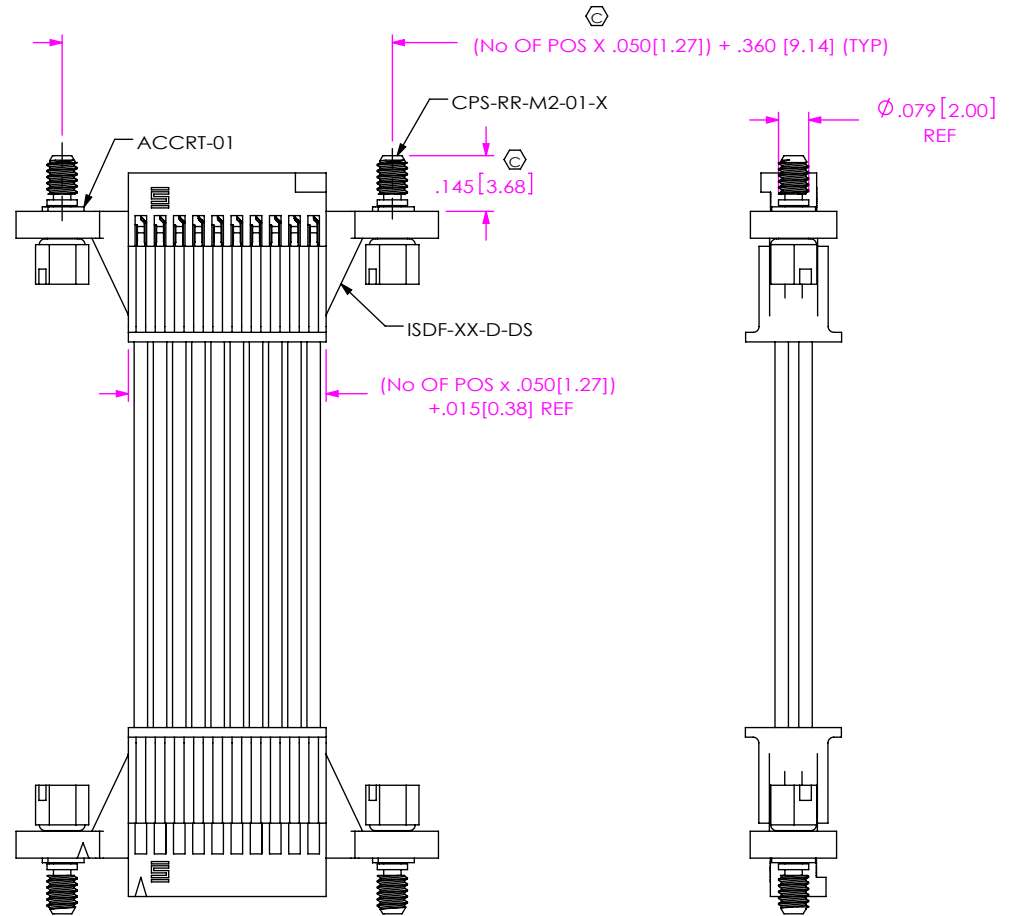
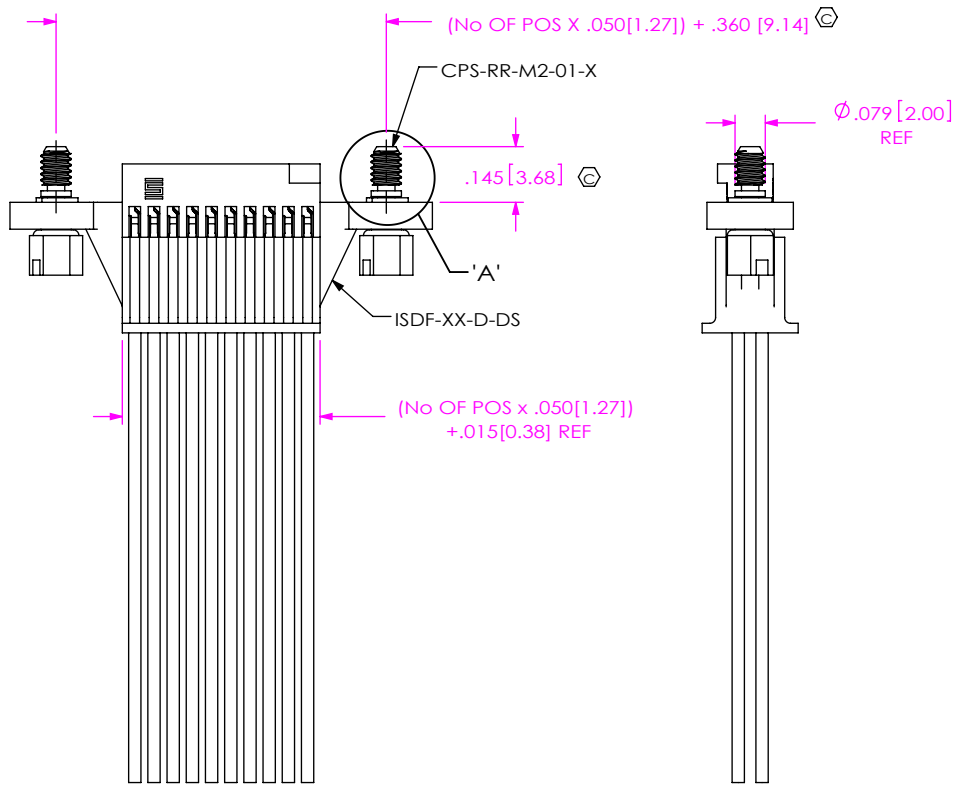
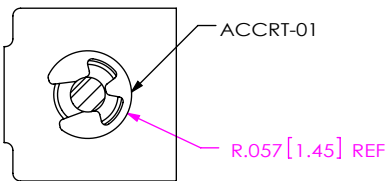


FIG 7  
-SS: SINGLE END WITH SCREW DOWN  
SFSDX-10-XXX-XX-XX.XX-SS SHOWN  
(SAME AS FIG 1, UNLESS OTHERWISE STATED)

FIG 8  
-DS: DOUBLE END WITH SCREW DOWN  
SFSDX-10-XXX-XX-XX.XX-DS-NDS SHOWN  
MUST CHOOSE FROM -NXXX OPTIONS)  
(SAME AS FIG 1, UNLESS OTHERWISE STATED)



SECTION "B"-"B"  
SCALE 4:1

**PROPRIETARY NOTE**  
THIS DOCUMENT CONTAINS CONFIDENTIAL AND PROPRIETARY INFORMATION AND ALL DESIGN, MANUFACTURING, REPRODUCTION, USE, PATENT RIGHTS AND SALES RIGHTS ARE EXPRESSLY RESERVED BY SAMTEC, INC. THIS DOCUMENT SHALL NOT BE DISCLOSED, IN WHOLE OR PART, TO ANY UNAUTHORIZED PERSON OR ENTITY NOR REPRODUCED, TRANSFERRED OR INCORPORATED IN ANY OTHER PROJECT IN ANY MANNER WITHOUT THE EXPRESS WRITTEN CONSENT OF SAMTEC, INC.

DO NOT SCALE DRAWING

SHEET SCALE: 2:1



520 PARK EAST BLVD, NEW ALBANY, IN 47150  
PHONE: 812-944-6733 FAX: 812-948-5047  
e-Mail info@SAMTEC.com code 55322

DESCRIPTION:  
.050[1.27] SOCKET DISCRETE CABLE ASSEMBLY

DWG. NO.  
SFSDX-XX-XXX-XX-XX.XX-XX-XXX

BY: BRATCHER 5/5/2005 SHEET 4 OF 5

CABLE CUT IN-PROCESS

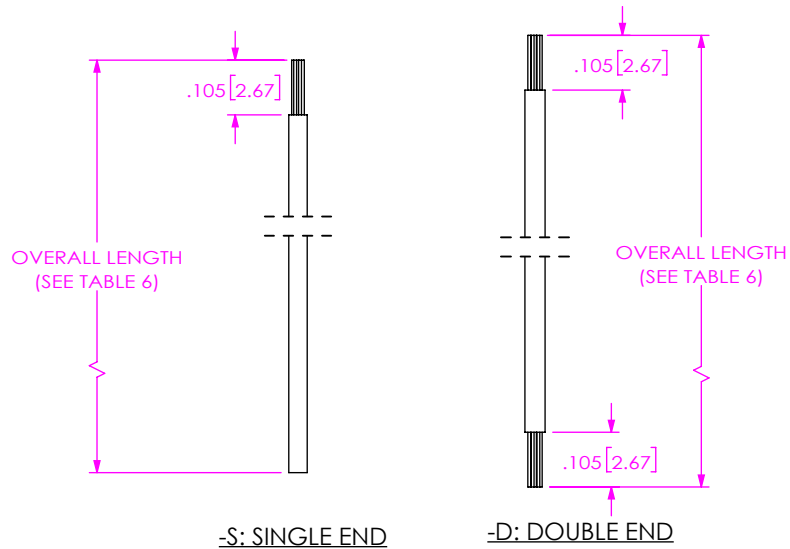


TABLE 6 ( OVERALL LENGTH SUBTRACTORS) (SEE NOTE 14)	
	LENGTH
-S: SINGLE END	.249 [6.325]
-D: DOUBLE END	.498 [12.649]

\* PROPRIETARY NOTE \*

THIS DOCUMENT CONTAINS CONFIDENTIAL AND PROPRIETARY INFORMATION AND ALL DESIGN, MANUFACTURING, REPRODUCTION, USE, PATENT RIGHTS AND SALES RIGHTS ARE EXPRESSLY RESERVED BY SAMTEC, INC. THIS DOCUMENT SHALL NOT BE DISCLOSED, IN WHOLE OR PART, TO ANY UNAUTHORIZED PERSON OR ENTITY NOR REPRODUCED, TRANSFERRED OR INCORPORATED IN ANY OTHER PROJECT IN ANY MANNER WITHOUT THE EXPRESS WRITTEN CONSENT OF SAMTEC, INC.



520 PARK EAST BLVD, NEW ALBANY, IN 47150  
 PHONE: 812-944-6733 FAX: 812-948-5047  
 e-Mail info@SAMTEC.com code 55322

SHEET SCALE: 2:1

DESCRIPTION:  
 .050[1.27] SOCKET DISCRETE CABLE ASSEMBLY

DWG. NO.  
 SFSDX-XX-XXX-XX-XX.XX-XX-XXX

BY: BRATCHER                      5/5/2005                      SHEET 5 OF 5