

REV. D

DIMENSIONS ARE IN INCHES
 UNLESS OTHERWISE NOTED TOLERANCES ARE:
 ONE PLACE DECIMALS ± .1[2.54] THREE PLACE DECIMALS ± .005[.13]
 TWO PLACE DECIMALS ± .01[.25] FOUR PLACE DECIMALS ± .0020[.051]
 ANGLES ± 1°

TITLE: .050 [1.27] X
 .100 [2.54] Q
 SHUNT ASSEMBLY

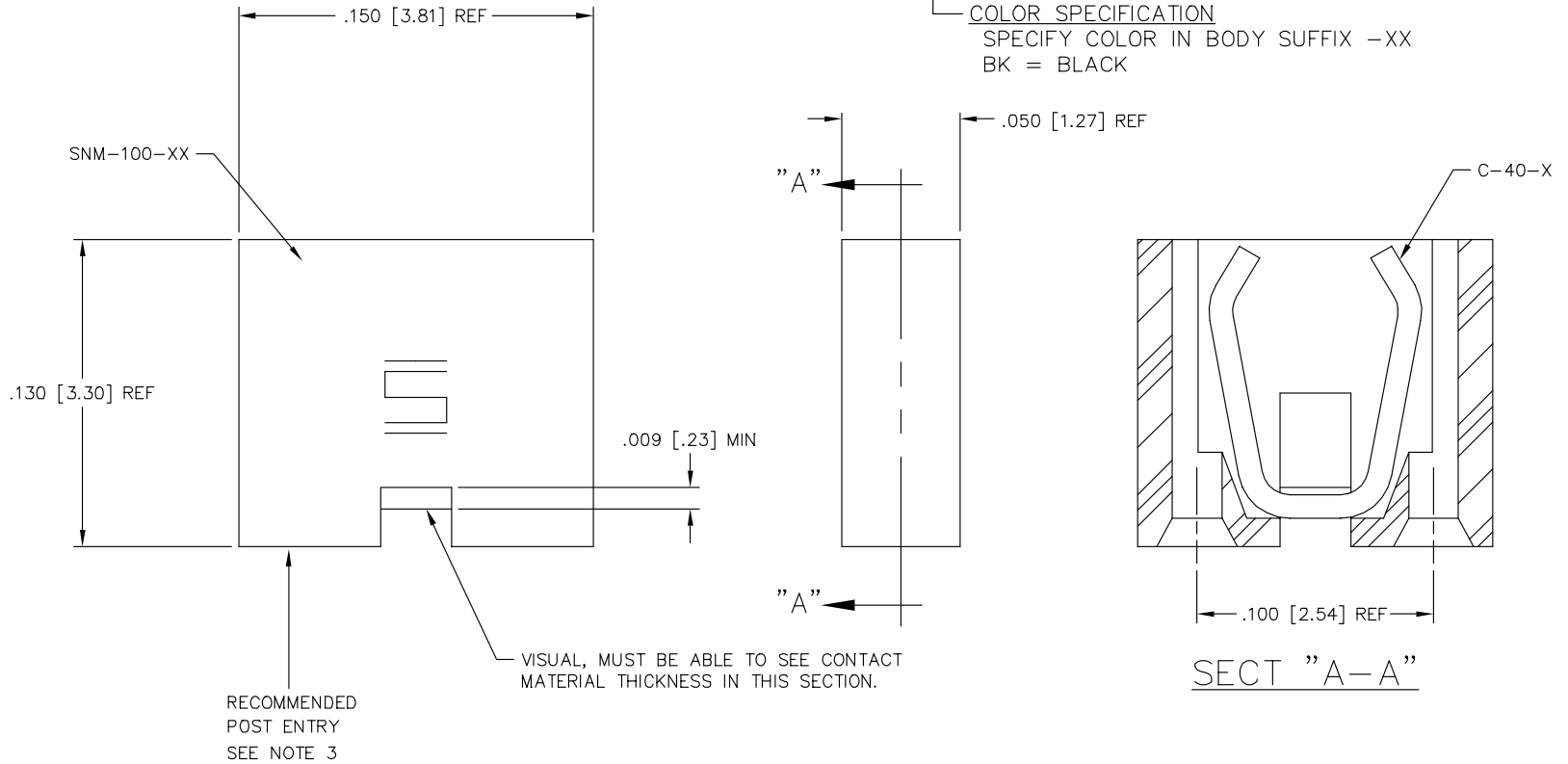
DWG NO: SNM-100-XX-X
 SHEET 1 OF 1

SNM-100-XX-X

BODY SPECIFICATION
 -100

PLATING SPECIFICATION
 -T = TIN: SPECIFY -T IN CONTACT SUFFIX -X
 -G = GOLD: SPECIFY -G IN CONTACT SUFFIX -X

COLOR SPECIFICATION
 SPECIFY COLOR IN BODY SUFFIX -XX
 BK = BLACK



Do not scale
 from this print

NOTES:

1. INSERTION FORCE USING (2) .018 SQ. PINS = 7 oz. AVG.
2. WITHDRAWAL FORCE USING (2) .018 SQ. PINS = 3 oz. AVG.
3. MINIMUM POST HEIGHT .135" [3.43] FOR PROPER MATE

PROPRIETARY NOTE
 THIS DOCUMENT CONTAINS INFORMATION
 CONFIDENTIAL AND PROPRIETARY TO
 SAMTEC INC. AND SHALL NOT BE
 REPRODUCED OR TRANSFERRED TO
 OTHER DOCUMENTS OR DISCLOSED TO
 OTHERS OR USED FOR ANY PURPOSE
 OTHER THAN THAT FOR WHICH IT WAS
 OBTAINED WITHOUT THE EXPRESSED
 WRITTEN CONSENT OF SAMTEC INC.

MATERIAL:
 BODY:
 VALOX DR-48
 COLOR: SPECIFIED IN PART NO.
 TERMINAL:
 PHOSPHOR BRONZE, CA510
 EXTRA HARD TEMPER

samtec

MISC\MKTG
 SNM-ASM

520 PARK EAST BLVD. NEW ALBANY, INDIANA 47150
 PHONE (812) 944-6733 P.O. BOX 1147
 CODE 55322

MADE BY:
 KOLB 7-20-89

ENG.
 APPROVAL

SNM-100-XX-X
 SHEET 1 OF 1

PLOT SCALE: 1=.04