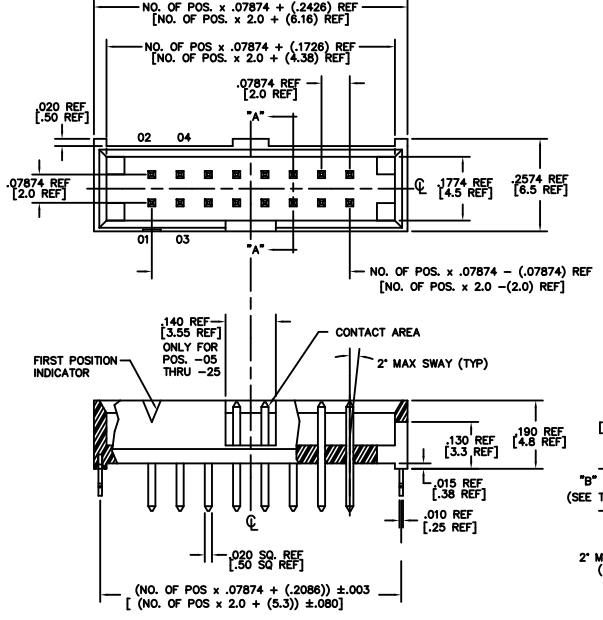


REVISION BR

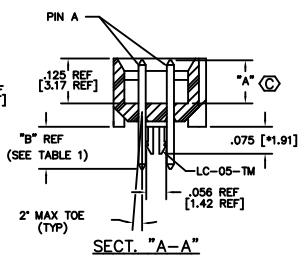
DO NOT SCALE FROM THIS PRINT

UNLESS OTHERWISE NOTED
 DIMENSIONS ARE IN INCHES TOLERANCES ARE:
 ONE PLACE DECIMALS ± .1 [2.5] THREE PLACE DECIMALS ± .005 [.13] ANGLES ± 1°
 TWO PLACE DECIMALS ± .01 [.3] FOUR PLACE DECIMALS ± .0010 [.025]

TITLE: 2mm C.L. SHROUDED TERMINAL STRIP TO MATE WITH CABLE
 DWG NO: STMM-1XX-XX-XX-D-XX-XX
 SHEET 1 OF 3



THROUGH HOLE
 FIG. 1



STMM-1XX-XX-XX-D-XX-XX

NO. OF POSITIONS
 -02 THRU -25

TERMINAL STYLE
 LEAD STYLE -01 IS STANDARD (.100 [2.54] POST HEIGHT). LEAD STYLE -02 IS FOR MATING WITH TCSD ONLY (.120 [3.05] POST HEIGHT) (SEE TABLE 1)

PLATING SPECIFICATIONS
 -G: 20μ" GOLD IN CONTACT AREA, 3μ" GOLD ON TAIL
 -T: MATTE TIN CONTACT AND TAIL
 -S: 30μ" SELECTIVE GOLD IN CONTACT AREA, MATTE TIN ON TAIL
 -L: 15μ" SELECTIVE GOLD IN CONTACT AREA, MATTE TIN ON TAIL
 -F: 3μ" SELECTIVE GOLD IN CONTACT AREA, MATTE TIN ON TAIL
 -H: 30μ" GOLD IN CONTACT AREA, 3μ" GOLD ON TAIL
 -SM: 30μ" SELECTIVE GOLD IN CONTACT AREA, MATTE TIN ON TAIL
 -TM: MATTE TIN CONTACT AND TAIL
 -LM: 15μ" SELECTIVE GOLD IN CONTACT AREA, MATTE TIN ON TAIL
 -FM: 3μ" SELECTIVE GOLD IN CONTACT AREA, MATTE TIN ON TAIL

POLARIZED OPTION
 XX = PIN NO TO BE OMITTED

OPTION
 -RA: RIGHT ANGLE (SEE FIG. 1 -RA & TABLE 1 SHT. 1)
 -SM: SURFACE MOUNT (SEE TABLE 1 SHT. 1 & TABLE 2 SHT. 2)
 -LC: LOCKING CLIP (SEE NOTE 9)
 (USE LC-05-TM FOR THROUGH HOLE STYLE, SEE FIG. 1, * DIMS)
 (USE LC-07-TM FOR -SM STYLE, SEE FIG. 3, SHT. 2 * DIMS)
 NOT AVAILABLE FOR -RA STYLE
 LEAVE BLANK FOR THROUGH HOLE (SEE FIG. 1 & TABLE 1 SHT. 1)
 -P: PICK AND PLACE PAD (USE PPP-24, SEE FIG. 4 SHT. 2)
 (3 POSITION MINIMUM) (NOT AVAILABLE WITH -RA OPTION)
 -M: METAL PICK AND PLACE PAD (USE MPP-07, SEE FIG. 5 SHT. 2)
 (-SM OPTION ONLY) (3 POSITION MINIMUM) (SEE NOTE 8)
 (NOT AVAILABLE WITH -RA OPTION)
 -TR: TAPE & REEL (SEE FIG. 7 SHT. 3), FOR SM OPTION ONLY.
 -K: POLYIMIDE FILM PAD (SEE FIG. 6, SHT. 2)
 (USE K-DOT-285-406-.005) AVAILABLE WITH -RA OPTION)
 (NOT AVAILABLE WITH -RA OPTION)

ROW SPECIFICATION
 -D: DOUBLE (USE STMM-XX-D-LC)

NOTES:
 1. MAX PIN ROTATION IN BODY TO BE 2°.
 2. PUSHOUT FORCE TO BE 1 LB. MIN.
 3. (C) REPRESENTS CRITICAL DIMS.
 4. DIMENSIONS IN [] ARE IN MILLIMETERS.
 5. FOR LOCKING CLIPS: 12 OZ. MIN RETENTION
 6. MEASURE AT BEND.
 7. ORIENTATE PINS TO REDUCE THE NUMBER OF BANDOLIER MARKS IN THE POST AREA. (SEE TABLE 4)
 8. -M OPTION NOT RECOMMENDED WITH -T OR -TM PLATING OPTIONS FOR LEAD FREE PROCESSING.
 9. DUE TO THE HIGH AMOUNT OF INSERTION FORCE NEEDED, THE -LC OPTION IS NOT COMPATIBLE WITH AUTO PLACEMENT. SAMTEC RECOMMENDS MANUAL PLACEMENT FOR ALL ASSEMBLIES WITH THE -LC OPTION.

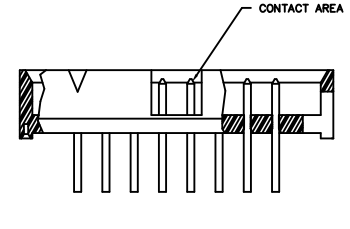
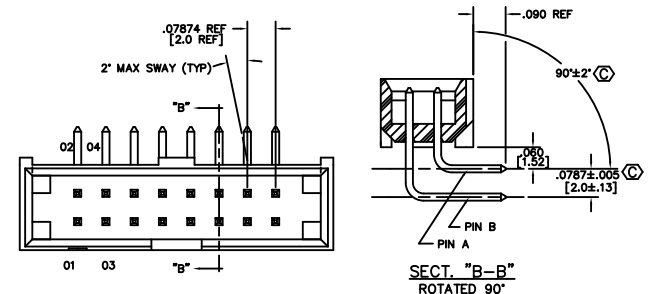
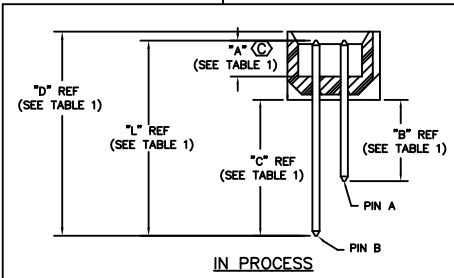


FIG. 2
 -RA: RIGHT ANGLE

DIFFERENT AS SHOWN OTHERWISE SAME AS FIG. 1

	LEAD STYLE	"A"	"B"	"C" REF	PIN A	"L" REF TERMINAL LENGTH	"D" REF	PIN B	"L" REF TERMINAL LENGTH	"D" REF
THROUGH HOLE (SEE FIG. 1)	-01	.100 [2.54]	.092 [2.3]	N/A	T-1S13-04-XX-2	.255 [6.48]	.280 [7.11]	N/A	.255 [6.48]	N/A
	-02	.120 [3.05]	.117 [3.0]	N/A	T-1S13-07-XX-2	.302 [7.67]	.307 [7.80]	N/A	.302 [7.67]	N/A
RIGHT ANGLE (SEE FIG. 2)	-01	.100 [2.5]	.232 [5.9]	.390 [9.9]	T-1S13-05-XX-2	.397 [10.08]	.422 [10.71]	T-1S13-08-X-2	.555 [14.10] REF	.580 [14.73]
	-02	.120 [3.0]	.228 [5.8]	.386 [9.8]	T-1S13-19-XX-2	.413 [10.49]	.438 [11.13]	T-1S13-22-X-2	.571 [1.50] REF	.576 [14.63]
SURFACE MOUNT (SEE FIG. 3)	-01	.100 [2.54]	.172 [4.4]	N/A	T-1S13-07-XX-2	.302 [7.67]	.327 [8.31]	N/A	SEE TABLE 2	N/A
	-02	.120 [3.05]	.173 [4.4]	N/A	T-1S13-20-XX-2	.323 [8.20]	.328 [8.33]	N/A	SEE TABLE 2	N/A



MATERIAL:
 BODY: LCP
 COLOR: BLACK

TERMINAL:
 PHOSPHOR BRONZE

PLOT SCALE: 1=.25

EXISPROD ASSEMBLY 2MM STMMASM

samtec

520 PARK EAST BLVD. NEW ALBANY, INDIANA 47150
 PHONE (812) 944-6733 P.O. BOX 1147
 CODE 55322

MADE BY: KOLB 1-28-92

STMM-1XX-XX-XX-D-XX-XX
 SHEET 1 OF 3

PROPRIETARY NOTE
 THIS DOCUMENT CONTAINS INFORMATION CONFIDENTIAL AND PROPRIETARY TO SAMTEC INC. AND SHALL NOT BE REPRODUCED OR TRANSMITTED IN ANY FORM OR BY ANY MEANS, ELECTRONIC OR MECHANICAL, INCLUDING PHOTOCOPYING, RECORDING, OR BY ANY INFORMATION STORAGE AND RETRIEVAL SYSTEM, WITHOUT THE WRITTEN CONSENT OF SAMTEC INC.