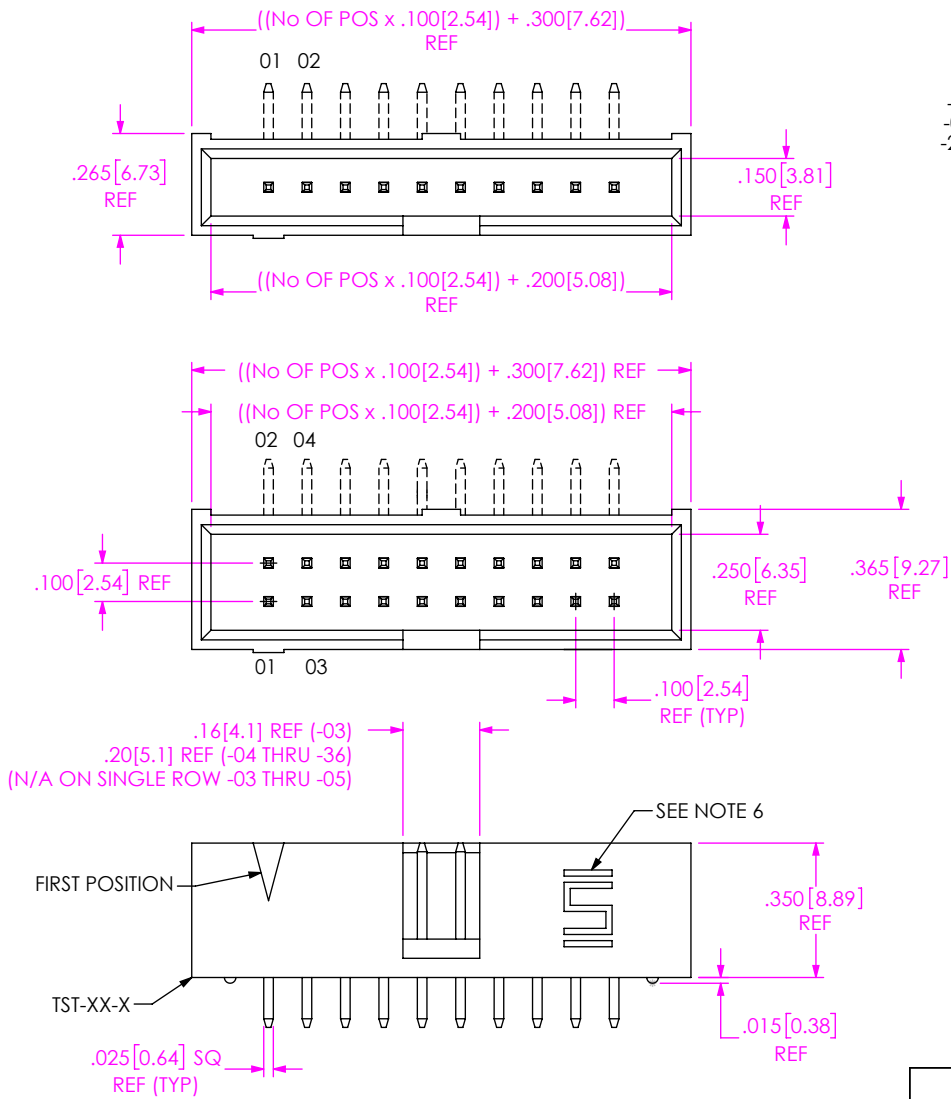


DO NOT SCALE FROM THIS PRINT



TST-1XX-XX-X-X-XX-XX

NO OF POSITIONS
 -02 (STRAIGHT ONLY)
 -03 THRU -18, -20, -24, -25, -28, -30, -32 & -36

LEAD STYLE
 SEE TABLE 1

POLARIZE OPTION
 -XX INDICATES POSITION OMITTED

OPTION
 BLANK: STRAIGHT (STYLES -04 & -05 N/A)
 -RA: RIGHT ANGLE (STYLES -01, -02 & -03 N/A)
 (SEE NOTE 5)
 -LL: LOCKING LEAD
 -LA: -RA OPTION WITH -LL OPTION

ROW SPECIFICATION
 -D: DOUBLE
 -S: SINGLE

PLATING SPECIFICATION
 -G: GOLD, 10 Au / 50 Ni ON CONTACT,
 3 Au / 50 Ni ON TAIL
 -T: MATTE TIN, CONTACT AND TAIL
 -S: SELECTIVE, 30 Au / 50 Ni MIN ON CONTACT,
 MATTE TIN TAIL
 -L: LIGHT SELECTIVE, 10 Au / 50 Ni MIN ON CONTACT,
 MATTE TIN TAIL
 -H: HEAVY GOLD, 30 Au / 50 Ni MIN ON CONTACT,
 3 Au / 50 Ni ON TAIL
 -F: FLASH SELECTIVE, 3 Au / 50 Ni ON CONTACT,
 MATTE TIN TAIL

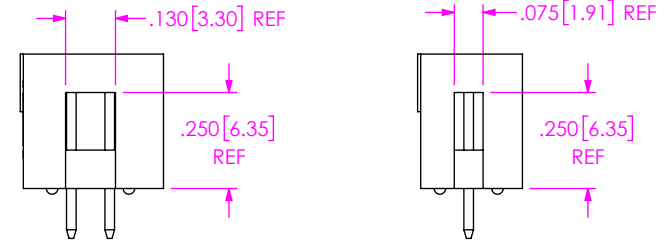


TABLE 1

LEAD STYLE	"A"	"B"	"C"	"D"	TERMINAL 1	TERMINAL 2
-01	.480 [12.19]	----	----	----	T-1S6-17-X-2	-----
-02	.530 [13.46]	----	----	----	T-1S6-08-X-2	-----
-03	.930 [23.62]	----	----	----	T-1S6-11-X-2	-----
-04	----	.130 [3.30]	.280 [7.11]	.830 [21.08]	T-1S6-15-X-2	T-1S6-10-X-2
-05	----	.230 [5.84]	.380 [9.65]	.930 [23.62]	T-1S6-09-X-2	T-1S6-11-X-2

NOTES:

- REPRESENTS A CRITICAL DIMENSION
- TERMINAL PUSHOUT FORCE: 3 LB
- ASSEMBLE GOLD PLATED END AS SHOWN.
- TERMINALS TO BE FLUSH TO .010[0.25] BELOW TOP OF SHROUD.
- TST-1XX-04-X-D-RA-XX ASSEMBLIES ARE TO BE PACKAGED IN A PT-1-24-01-40, TUBE WITH TWO TP-13 PLUGS PER TUBE(ALL POSITIONS).
- SAMTEC LOGO MAY VARY IN LOCATION.

UNLESS OTHERWISE SPECIFIED, DIMENSIONS ARE IN INCHES.

TOLERANCES ARE:
 DECIMALS ANGLES
 .XX: ±.01[0.3] 2°
 .XXX: ±.005[0.13]
 .XXXX: ±.0020[0.051]

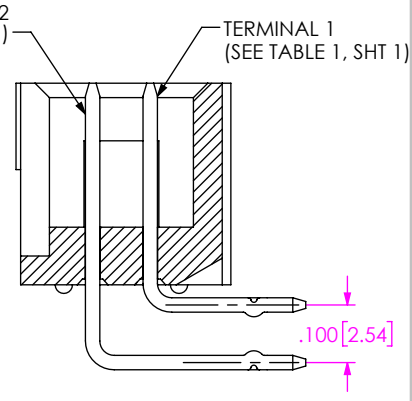
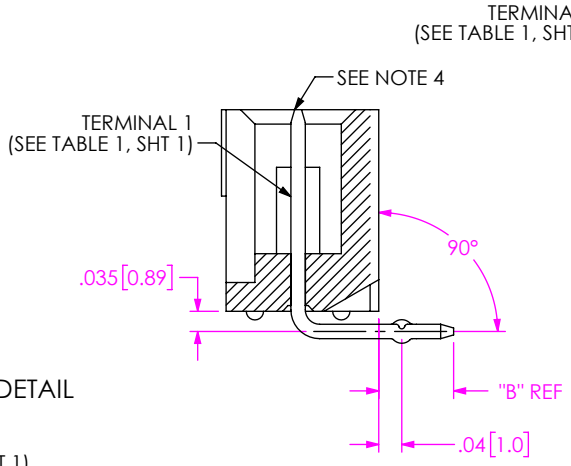
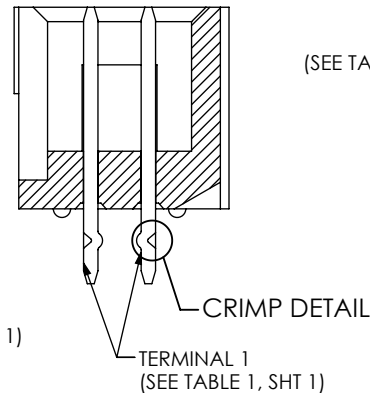
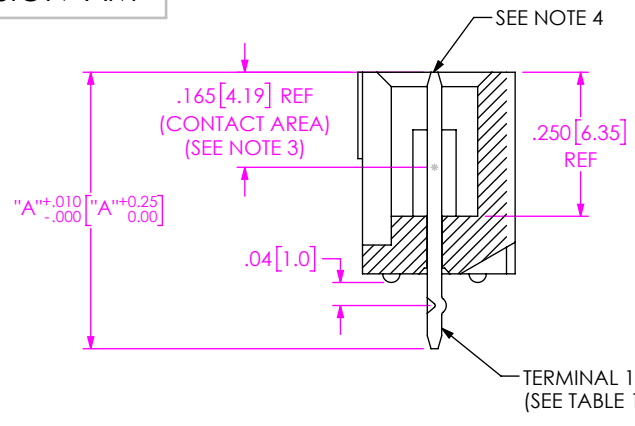
PROPRIETARY NOTE
 THIS DOCUMENT CONTAINS CONFIDENTIAL AND PROPRIETARY INFORMATION AND ALL DESIGN, MANUFACTURING, REPRODUCTION, USE, PATENT RIGHTS AND SALES RIGHTS ARE EXPRESSLY RESERVED BY SAMTEC, INC. THIS DOCUMENT SHALL NOT BE DISCLOSED, IN WHOLE OR PART, TO ANY UNAUTHORIZED PERSON OR ENTITY NOR REPRODUCED, TRANSFERRED OR INCORPORATED IN ANY OTHER PROJECT IN ANY MANNER WITHOUT THE EXPRESS WRITTEN CONSENT OF SAMTEC, INC.



520 PARK EAST BLVD, NEW ALBANY, IN 47150
 PHONE: 812-944-6733 FAX: 812-948-5047
 e-Mail: info@SAMTEC.com code: 53322

MATERIAL: DO NOT SCALE DRAWING SHEET SCALE: 2:1
 INSULATOR: VALOX SE0 OR 553, OR CELANEX 3316
 COLOR: BLACK
 TERMINAL: PHOS BRONZE, ALLOY No 10, GRADE A, FEDERAL SPEC. QQ-B-750, 3/4 HARD, 95-105 KPSI TENSILE.
 MATERIAL THICKNESS: .0250±.0003[0.635±.0076]
 F:\DWG\MISC\MKTG\TST-1XX-XX-X-X-XX-MKT.SLDDRW

DESCRIPTION:
 TOP SHROUD TERMINAL STRIP
 DWG. NO.
TST-1XX-XX-X-X-XX-XX
 BY: JORDAN 02/18/1987 SHEET 1 OF 2

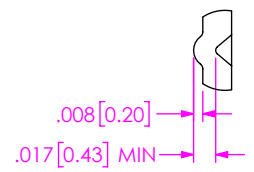


-S
(-LL SHOWN FOR DIMENSIONAL AND LOCATION PURPOSES)

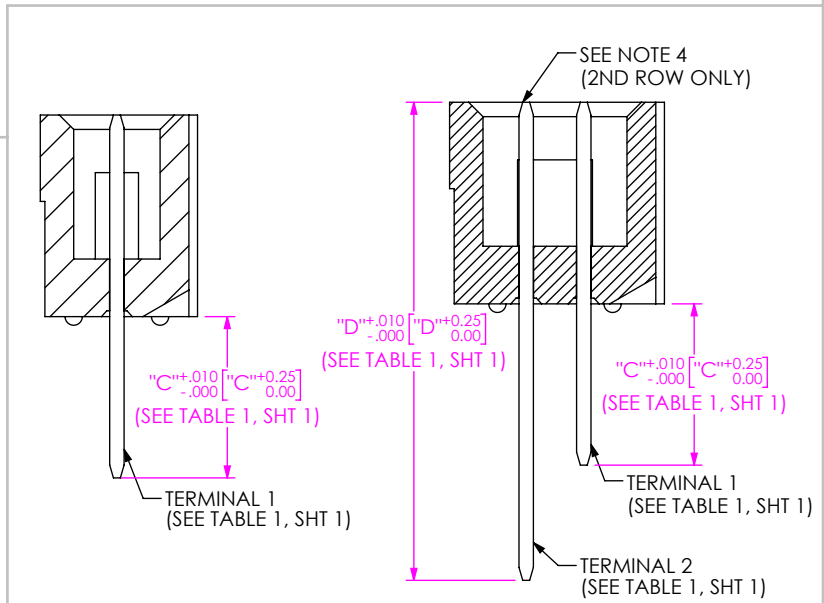
-D
(SAME AS -S, EXCEPT AS SHOWN)

-S-RA
(-LA SHOWN FOR DIMENSIONAL AND LOCATION PURPOSES)

-D-RA
(SAME AS -S-RA, EXCEPT AS SHOWN)



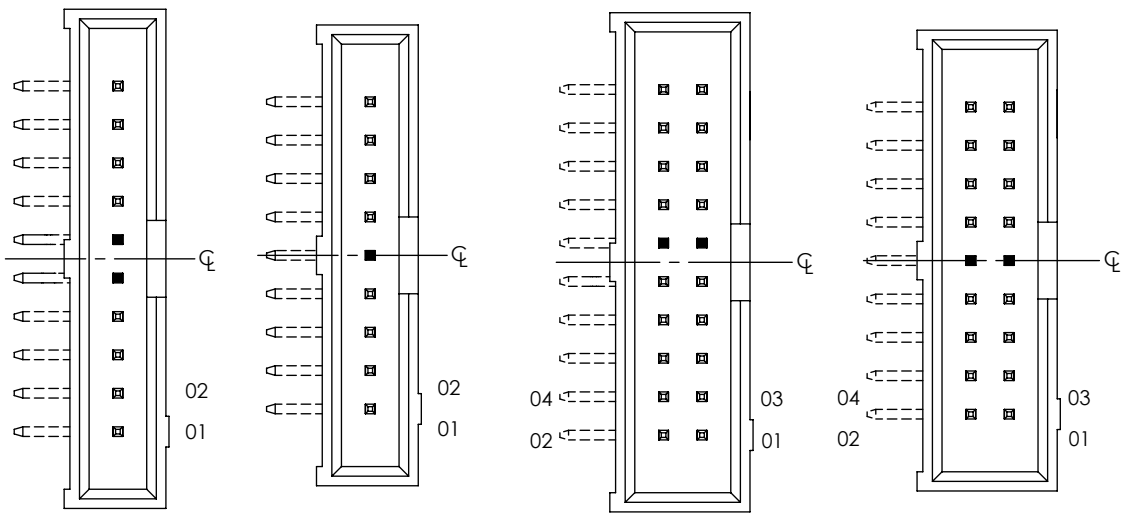
CRIMP DETAIL
SCALE 6 : 1



-S-RA/-S-LA

-D-RA/-D-LA

-RA IN-PROCESS



CRIMP LOCATION

PROPRIETARY NOTE
THIS DOCUMENT CONTAINS CONFIDENTIAL AND PROPRIETARY INFORMATION AND ALL DESIGN, MANUFACTURING, REPRODUCTION, USE, PATENT RIGHTS AND SALES RIGHTS ARE EXPRESSLY RESERVED BY SAMTEC, INC. THIS DOCUMENT SHALL NOT BE DISCLOSED, IN WHOLE OR PART, TO ANY UNAUTHORIZED PERSON OR ENTITY NOR REPRODUCED, TRANSFERRED OR INCORPORATED IN ANY OTHER PROJECT IN ANY MANNER WITHOUT THE EXPRESS WRITTEN CONSENT OF SAMTEC, INC.



520 PARK EAST BLVD. NEW ALBANY, IN 47150
PHONE: 812-944-6733 FAX: 812-948-5047
e-Mail: info@SAMTEC.com code: 55322

SHEET SCALE: 3:1

DESCRIPTION:
TOP SHROUD TERMINAL STRIP

DWG. NO.
TST-1XX-XX-X-X-XX-XX

BY: JORDAN 02/18/1987 SHEET 2 OF 2