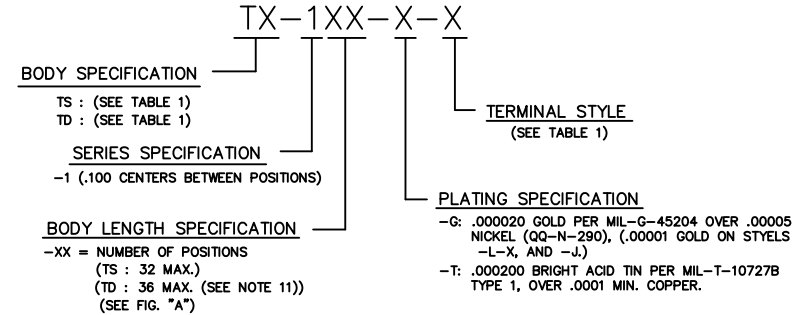
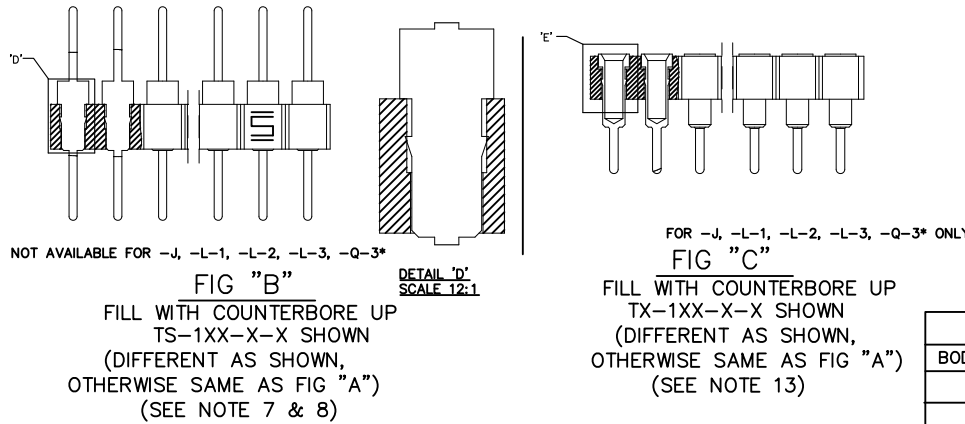
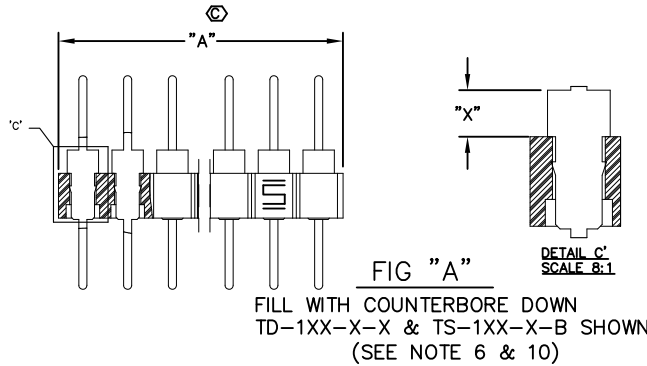


REVISIONS BH

DO NOT SCALE FROM THIS PRINT

DIMENSIONS ARE IN INCHES		UNLESS OTHERWISE NOTED		TOLERANCES ARE:		TITLE:	DWG NO:
ONE PLACE DECIMALS ±	TWO PLACE DECIMALS ±	THREE PLACE DECIMALS ±	FOUR PLACE DECIMALS ±	ANGLES ± 2°		TERMINAL STRIP ASSEMBLY	TX-1XX-X-X
							SHEET 1 OF 5



BODY SPEC.	LEAD STYLE	TUBE	PLUG	FIG
TS	A-1, A-2, A, AA, B, C, H, G-1	PT-1-24-01-24	TP-24	30
	J	PT-1-24-01-23	TP-12	31
	D-1-2	PT-1-24-02-03	TP-24	32
	D-1-1	PT-1-24-10-03	TP-03	33
TD	A-1	PT-1-24-05-17	TP-07	34
	A-2	PT-1-24-02-46		35
	A, AA	PT-1-24-01-22	TP-03	36
	J	PT-1-24-01-14		37

BODY SPEC.	"A"
TS	[(.100 X NO. OF POS)+.008]±.015
TD	[(.100 X NO. OF POS)-.008]±.015

TABLE 1

TERMINAL STYLE	TERMINAL SPEC	BODY SPECIFICATION		FILL ORIENTATION	FIG	SHEET
		TS BODY	"X" MIN MAX			
-AA	T-1R5-X	SEE NOTE 7	.049[1.24] .063[1.60]	FIG B, DET 'D'	1	2
-A	T-1R0-X	SEE NOTE 7	.047[1.19] .065[1.65]	FIG B, DET 'D'	2	2
-A-1	T-1R7-1-X	SEE NOTE 7	.047[1.19] .065[1.65]	FIG B, DET 'D'	3	2
-A-2	T-1R7-2-X	SEE NOTE 7	.047[1.19] .065[1.65]	FIG B, DET 'D'	4	2
-B	T-1R1-X	SEE NOTE 10	.227[5.77] .245[6.22]	FIG A, DET 'C'	5	2
-B-2	T-1R8-2-X	SEE NOTE 7	.227[5.77] .245[6.22]	FIG B, DET 'D'	7	2
-C	T-1R2-X	SEE NOTE 7	.052[1.32] .070[1.78]	FIG B, DET 'D'	8	2
-C-1	T-1R9-1-X	SEE NOTE 7	.052[1.32] .070[1.78]	FIG B, DET 'D'	9	2
-C-2	T-1R9-2-X	SEE NOTE 7	.052[1.32] .070[1.78]	FIG A, DET 'C'	10	2
-D-1-1	T-1S4-1-1-X	SEE NOTE 7	.047[1.19] .062[1.57]	FIG B, DET 'D'	11	3
-D-1-2	T-1S4-1-2-X	SEE NOTE 7	.047[1.19] .082[2.08]	FIG B, DET 'D'	12	3
-E	T-1R12-X	SEE NOTE 7	.047[1.19] .062[1.57]	FIG B, DET 'D'	17	3
-G-1	T-1R5-1-X	SEE NOTE 7	.017[0.43] .028[0.71]	FIG B, DET 'D'	19	3
-J	S-1P1-X	SEE NOTE 8	.000[0.00] .008[0.20]	FIG C, DET 'E'	21	4
-K	T-1R12-X	SEE NOTE 7	.047[1.19] .062[1.57]	FIG B, DET 'D'	22	4
-L-1	S-1W1-1-X	SEE NOTE 8	.000[0.00] .005[0.13]	FIG C, DET 'E'	23	4
-L-2	S-1W1-2-X	SEE NOTE 8	.000[0.00] .005[0.13]	FIG C, DET 'E'	24	4
-L-3	S-1W1-3-X	SEE NOTE 8	.000[0.00] .005[0.13]	FIG C, DET 'E'	25	4
-N	T-1R5-1-X	SEE NOTE 7	.017[0.43] .028[0.71]	FIG B, DET 'D'	27	4
-Q-3 *	S-1W1-3-X	SEE NOTE 7	.000[0.00] .005[0.13]	FIG C, DET 'E'	29	4

N/A = NOT AVAILABLE * STYLE -Q-3 AVAILABLE ONLY AS A COMPONENT OF CSP/25 CABLE ASSEMBLIES.

NOTE:

- SEE COMPONENT PRINT FOR MAXIMUM ALLOWABLE BOW.
- MINIMUM PUSHOUT FORCE = 5 LBS.
- MAXIMUM ALLOWABLE TOE IN/OUT OF TERMINALS = ± 2°.
- MAX ALLOWABLE FLASH AFTER REMOVAL OF CROSS BARS: .005 [.13]
- ⊙ REPRESENTS A CRITICAL DIMENSION.
- USE DSB-36 AND FILL WITH COUNTERBORE DOWN.
- USE TBS-32 AND FILL WITH COUNTERBORE UP.
- USE SSB-XX AND FILL WITH COUNTERBORE UP.
- FOR LEAD STYLES PACKAGED IN TUBES: PACKAGE -05 THRU -36 POSITIONS IN TUBES.
- USE SSB-XX AND FILL WITH COUNTERBORE DOWN.
- FOR 1 POSITION TD ASSEMBLY, USE A TS-132 AND CUT TO A 2 POSITION.
- BULK PACKAGE ALL POSITIONS LESS THAN 5.
- USE DSB-36 AND FILL WITH COUNTERBORE UP.

PROPRIETARY NOTE
THIS DOCUMENT CONTAINS CONFIDENTIAL AND PROPRIETARY INFORMATION AND ALL DESIGN, MANUFACTURING, REPRODUCTION, USE, PATENT RIGHTS AND SELLER RIGHTS ARE EXPRESSLY RESERVED BY SAMTEC, INC. THIS DOCUMENT SHALL NOT BE DISCLOSED, IN WHOLE OR IN PART, TO ANY UNAUTHORIZED PERSON OR ENTITY NOR REPRODUCED, TRANSMITTED OR INCORPORATED IN ANY OTHER PROJECT BY ANY BANNER, WITHOUT THE EXPRESS WRITTEN CONSENT OF SAMTEC, INC.

MATERIAL:
INSULATOR:
GLASS FILLED POLYESTER
COLOR: BLACK

TERMINAL:
BRASS, EXCEPT STYLE G
IS PHOSPHOR BRONZE



EXISPROD\ASSEMBLY\100
TX-ASM1
520 PARK EAST BLVD. NEW ALBANY, INDIANA 47150
PHONE (812) 944-6733 P.O. BOX 1147
CODE 55322

MADE BY: L.W. 12/05/84

PLOT SCALE: 1=1

TX-1XX-X-X
SHEET 1 OF 5