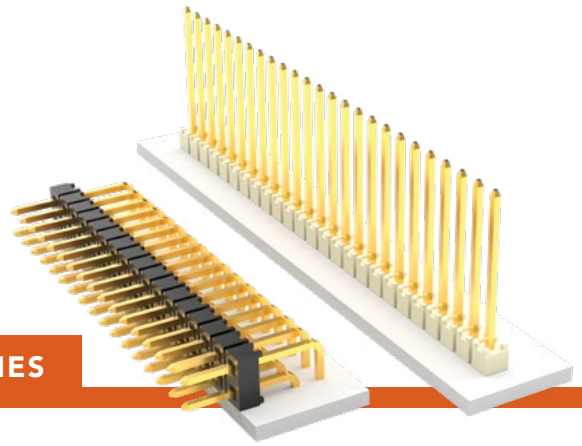




MODIFIED .025" SQ POST HEADERS

(2.54 mm) .100" PITCH • A-MTSW/A-HMTSW SERIES



A-MTSW/A-HMTSW Board Mates:

A-SSW, A-SSQ, A-SSM

FLEX STACK

SPECIFICATIONS

Insulator Material:

A-MTSW: Black Glass Filled Polyester
A-HMTSW: Natural Liquid Crystal Polymer

Terminal Material:

Phosphor Bronze

Plating:

Au or Sn over 50 μ" (1.27 μm) Ni

Operating Temp Range:

-55 °C to +125 °C with Gold
-55 °C to +105 °C with Tin

PROCESSING

Lead-Free Solderable:

A-MTSW: No, Lead Wave Only
A-HMTSW: Yes

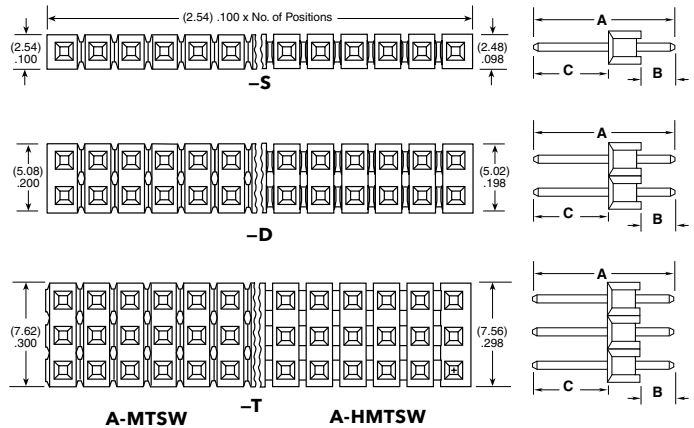
SERIES	PIN CENTERS	NO. PINS PER ROW	LEAD STYLE	PLATING OPTION	ROW OPTION	POST HEIGHT	END OPTION
--------	-------------	------------------	------------	----------------	------------	-------------	------------

A-MTSW = Modified Strip	-1 = (2.54 mm) .100" Pitch (All positions filled)	01 thru 50 = .100" (2.54 mm) Center Version	Specify LEAD STYLE from chart	-L = 10 μ" (0.25 μm) Gold on post, Matte Tin on tail	-S = Single Row	"XXXX" = "C" Dimension (Specify post height in INCHES .005" (0.13 mm) increments)	-RA = Right-Angle
A-HMTSW = Hi-Temp Modified Strip	-2 = (5.08 mm) .200" Pitch (Every other position filled)	02 thru 25 = .200" (5.08 mm) Center Version		-T = Matte Tin	-D = Double Row		-RE = Right-Angle Elevated (Single row only)
					-T = Triple Row		

LEAD STYLE	A
-06	(7.62) .300
-07	(10.92) .430
-08	(13.46) .530
-09	(18.54) .730
-10	(21.08) .830
-11	(23.62) .930
-12	(26.16) 1.030
-13	(31.24) 1.230
-21	(36.32) 1.430
-22	(16.00) .630
-23	(11.30) .445
-24	(12.19) .480
-27	(33.78) 1.330
-28	(28.70) 1.130

FOR "B" = (2.29) .090	
LEAD STYLE	C MAXIMUM STRAIGHT
-06	(2.79) .110
-07	(6.10) .240
-08	(8.64) .340
-09	(13.72) .540
-10	(16.26) .640
-11	(18.80) .740
-12	(21.34) .840
-21	(26.42) 1.040
-22	(31.50) 1.240
-22	(11.18) .440
-23	(6.48) .255
-24	(7.37) .290
-27	(28.96) 1.140
-28	(23.88) .940

STRAIGHT PIN VERSIONS



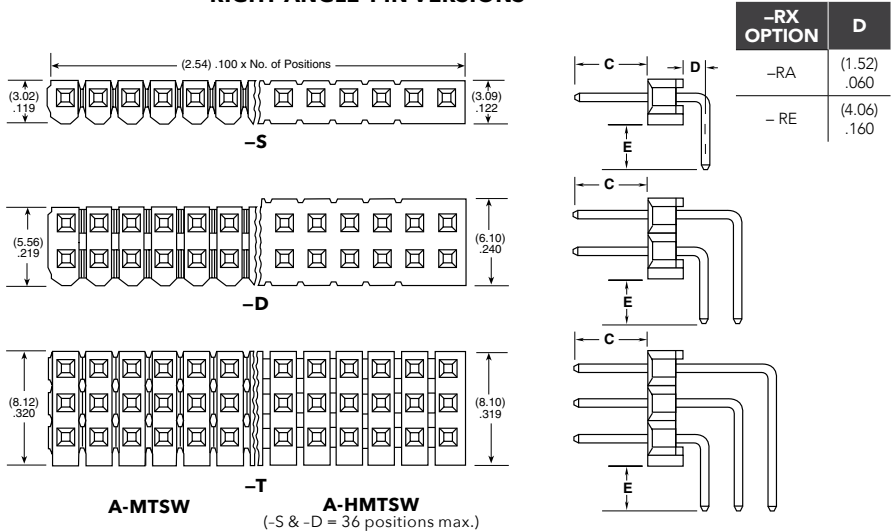
FOR "E" = (2.29) .090 MIN FOR -RA & -RE		
LEAD STYLE	C MAXIMUM with/-RA	C MAXIMUM with/-RE
-06	Not Available	Not Available
-07	(3.30) .130	Not Available
-08	(5.84) .230	(3.30) .130
-09	(10.92) .430	(8.38) .330
-10	(13.46) .530	(10.92) .430
-11	(16.00) .630	(13.46) .530
-12	(18.54) .730	(16.00) .630
*-13	(23.62) .930	(21.08) .830
*-21	(28.70) 1.130	(26.16) 1.030
-22	(8.38) .330	(5.84) .230
*-23	(3.68) .145	Not Available
*-24	(4.57) .180	Not Available
*-27	(26.16) 1.030	(23.62) .930
*-28	(21.08) .830	(18.54) .730

* Styles -21, -23, -24, -27 not available with -D Right-angle
Styles -13, -21, -23, -24, -27, -28 not available with -T or Right-angle

Note:

These Series are non-standard, non-returnable.

RIGHT-ANGLE PIN VERSIONS



-RX OPTION	D
-RA	(1.52) .060
-RE	(4.06) .160

Due to technical progress, all designs, specifications and components are subject to change without notice.

samtec.com/Automotive