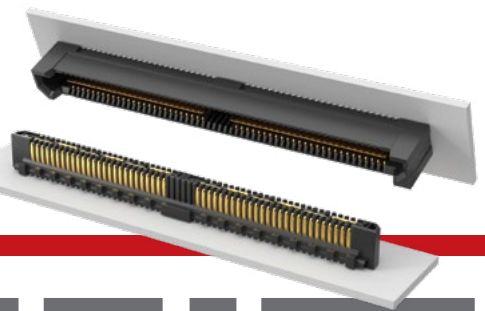




NRZ
28
Gbps



(0.80 mm) .0315" PITCH • A-QRM8/A-QRF8 SERIES

A-QRM8
Board Mates:
A-QRF8

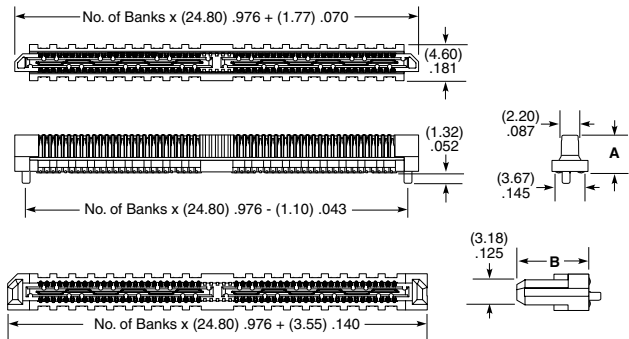
A-QRF8
Board Mates:
A-QRM8



SPECIFICATIONS

Insulator Material:
Black LCP
A-QRM8 Terminal Material:
Phosphor Bronze
A-QRF8 Contact Material:
BeCu
Ground Plane Material:
Phosphor Bronze
Plating:
Au or Sn over
50 μ" (1.27 μm) Ni
Current Rating:
2.2 A per pin (2 pins powered)
Ground:
8.5 A per ground plane
(1 ground plane powered)
Operating Temp Range:
-55 °C to +125 °C
Voltage Rating:
215 VAC
Max Cycles:
100

A-QRM8	PINS PER ROW NO. OF PAIRS	LEAD STYLE	PLATING OPTION	TYPE	A	OTHER OPTIONS
	-026, -052, -078 (52 total pins per bank = -D)	-02.0 = 2 mm Body Height (N/A -054 & -078 Positions)	-L = 10 μ" (0.25 μm) Gold on contact, Matte Tin on tail	-D = Single-Ended -D-DP = Differential Pair		-GP = Guide Post -K = (5.00 mm) .197" DIA Polyimide Film Pick & Place Pad -TR = Tape & Reel (-018, -026, -036, -052 only)
	-018, -036, -054 (18 pairs per bank = -D-DP)	-05.0 = 5 mm Body Height -07.0 = 7 mm Body Height				



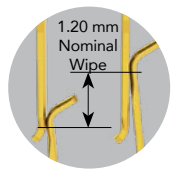
LEAD STYLE	A	B
-02	(4.81) .189	(6.12) .241
-05	(7.81) .307	(9.12) .359
-07	(9.78) .385	(11.12) .438

-GP OPTION

PROCESSING

Lead-Free Solderable:
Yes
SMT Lead Coplanarity:
(0.10 mm) .004" max
(018-026)
(0.15 mm) .006" max
(036-078)*
*(.004" stencil solution may be available; contact ipg@samtec.com)
Board Stacking:
For applications requiring more than two connectors contact ipg@samtec.com

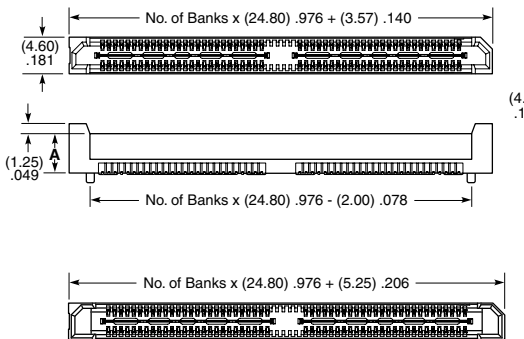
A-QRF8	PINS PER ROW NO. OF PAIRS	LEAD STYLE	PLATING OPTION	TYPE	A	OTHER OPTIONS
	-026, -052, -078 (52 total pins per bank = -D)	-05.0 = 5 mm Body Height -07.0 = 7 mm Body Height	-L = 10 μ" (0.25 μm) Gold on contact, Matte Tin on tail	-D = Single-Ended -D-DP = Differential Pair		-GP = Guide Post -K = (5.00 mm) .197" DIA Polyimide Film Pick & Place Pad -TR = Tape & Reel (-018, -026, -036, -052 only)
	-018, -036, -054 (18 pairs per bank = -D-DP)					



Note:
Some lengths, styles and options are non-standard, non-returnable.

MATED HEIGHT*			
A-QRF8 LEAD STYLE	A-QRM8 LEAD STYLE		
	-02.0	-05.0	-07.0
-05	(7.00) .276	(10.00) .394	(12.00) .472
-07	(9.00) .354	(12.00) .472	(14.00) .551

*Processing conditions will affect mated height. See SO Series for board space tolerances.



LEAD STYLE	A
-05	(5.01) .197
-07	(7.01) .276

-GP OPTION

Due to technical progress, all designs, specifications and components are subject to change without notice.