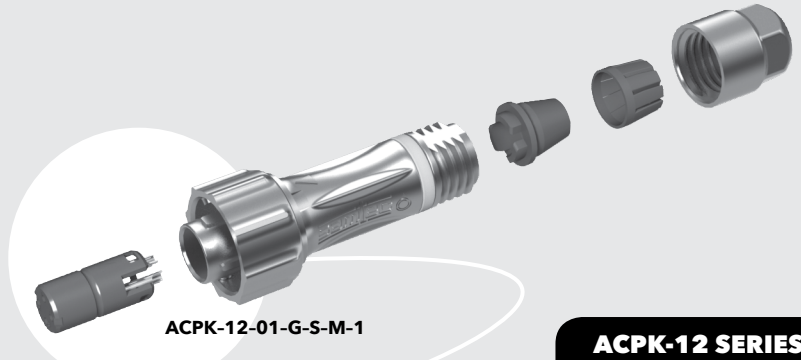


ACCLIMATE™



ACPK-12-01-G-S-M-1

ACPK-12 SERIES

12 mm IP68 FIELD TERMINATION KIT

SPECIFICATIONS

For complete specifications and processing guidelines see www.samtec.com?ACPK-12

Insulator Material: Thermoplastic

Terminal Material: Brass

Contact Material: Brass/BeCu

Plating: Au over

50 μ" (1.27 μm) Ni

Operating Temp Range: -10 °C to +80 °C

Housing: -P: Black Nylon

-M: Zinc Alloy

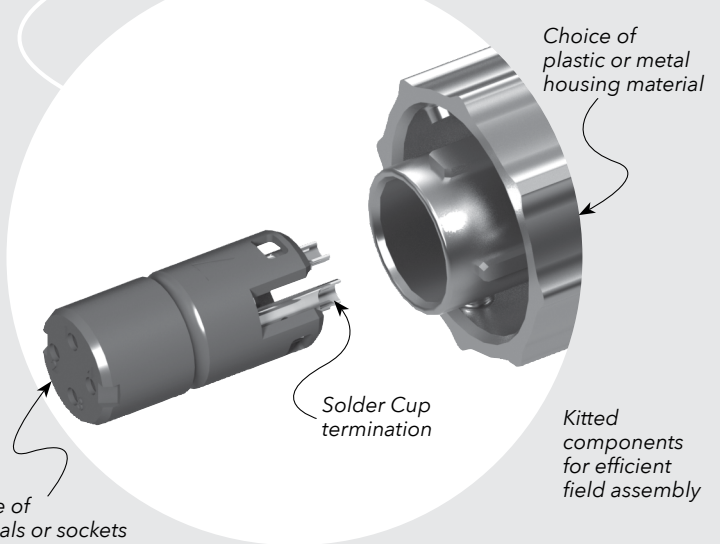
RoHS Compliant: Yes

Mates with:

ACR-12, ACRK-12

CURRENT RATING		
LEAD STYLE	PINS POWERED	CCC per PIN
-01	4	3.8 A
-02	5	3.6 A
-05	2 (plus 4 signal pins powered @ 1.2 A)	5.0 A

For general reference only. See www.samtec.com?ACPK-12 for complete test data or contact AccliMate@samtec.com for applications requiring higher current carrying capacity.



DUST CAPS

- DCA-ACP-12-M-X (Metal)
- DCA-ACP-12-P-X (Plastic)

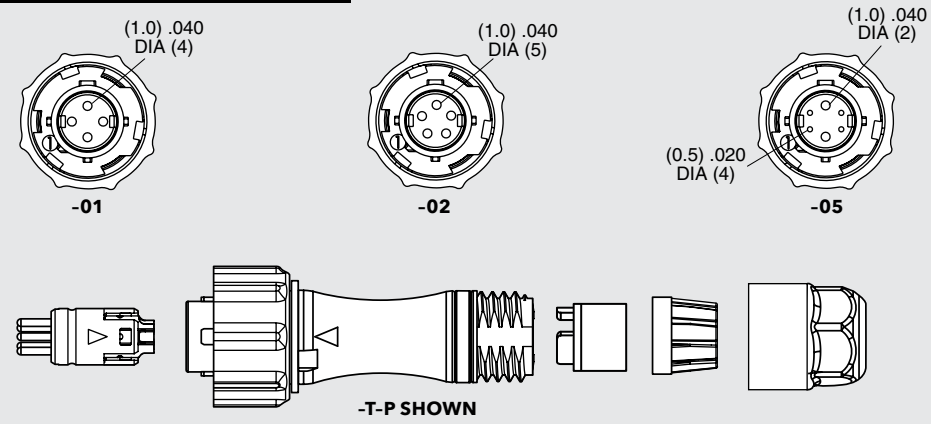


- Visit sealedio.samtec.com for a complete list of sealed systems

NOTE

For complete specifications and processing guidelines see www.samtec.com?ACPK-12

ACPK	12	LEAD STYLE	PLATING	GENDER	HOUSING MATERIAL	KEYING OPTIONS
		-01 = 1.0 mm DIA (4) terminals or sockets (20-24 AWG)	-G = 10 μ" (0.25 μm) Gold over 50 μ" (1.27 μm) Ni on contact	-T = Terminal -S = Socket	-P = Plastic -M = Metal	-1 = Orange, 45°
		-02 = 1.0 mm DIA (5) terminals or sockets (20-24 AWG)				
		-05 = 1.0 mm DIA (2) terminals or sockets (20-24 AWG) + 0.5 mm DIA (4) terminals or sockets (26-30 AWG)				



Note: Some lengths, styles and options are non-standard, non-returnable.