

# ACCELERATE<sup>®</sup>HP

## EXTREME DENSITY CABLE SYSTEM

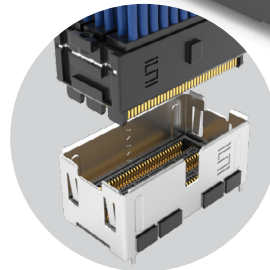
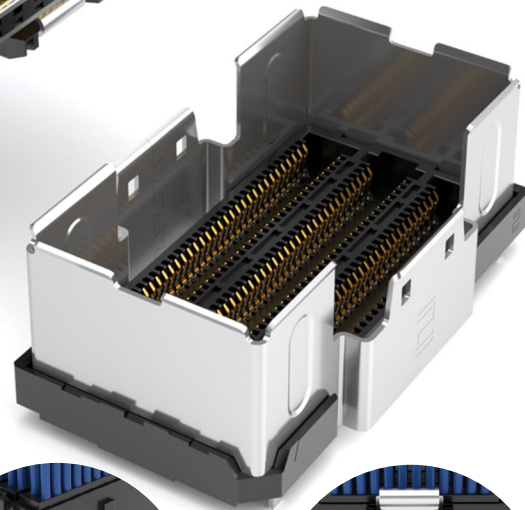
(0.635 mm) .025" PITCH

PAM4

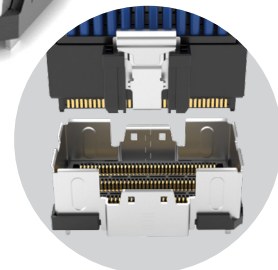
112  
G b p s

### FEATURES & BENEFITS

- Industry's highest density 112G PAM4 cable system
- Cable-to-board and cable-to-cable solutions
- 0.635 mm contact pitch; 2.20 x 2.40 mm row-to-row pitch
- 4, 6 and 8 rows; 8 or 12 pairs per row
- Up to 96 Thinax™ ultra low skew twinax cable
- Single-ended micro coax configuration
  - 34 AWG ThinSE™ micro coax cables
  - 12 or 18 coax per row
  - Dedicated G-S-G-S-G layout for reduced crosstalk
- Right-angle mating connector
- 112 Gbps PAM4 double density direct-to-chip package solution with up to 144 differential pairs and Eye Speed Thinax™ ultra low skew twinax cable (ART6/ATF6); contact [HDR@samtec.com](mailto:HDR@samtec.com) for information



Locking for maximum density  
(removal tool required)



Squeeze latching  
for quick disconnect

### KEY SPECIFICATIONS (ARP6)

CABLE	INSULATOR MATERIAL	CONTACT MATERIAL	PLATING	OPERATING TEMP RANGE	CURRENT RATING	VOLTAGE RATING
34 AWG, 92 Ω Thinax™ ultra skew twinax cable	Black LCP	Copper Alloy	Au or Sn over 50 μ" (1.27 μm) Ni	-40 °C to +125 °C	1.3 A (6 pins powered)	165 VAC/233 VDC
34 AWG, 50 Ω ThinSE™ micro coax cable						

**(0.635 mm) .025" • HIGH-DENSITY/PERFORMANCE CABLE**

ARJ6	STYLE	NO. OF POSITIONS	NO. OF ROWS	CABLE LENGTH	END 2 OPTION
------	-------	------------------	-------------	--------------	--------------

**-DP**  
= 92 Ω  
Thinax™ ultra low skew twinax cable

**-025**  
  
**-037**

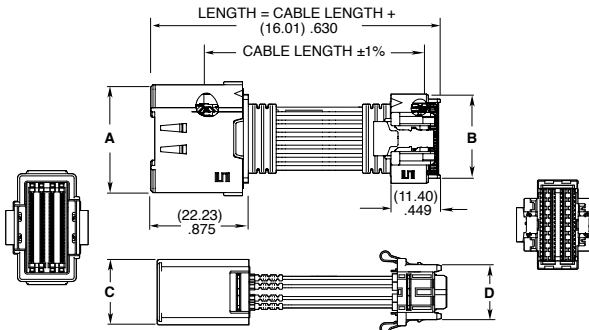
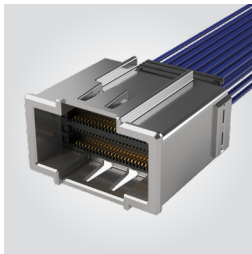
**-04**  
= Four Rows  
  
**-06**  
= Six Rows

**-"XX.X"**  
= Length in Inches  
05.0" (127 mm)  
minimum

**-L**  
= Squeeze Latch  
  
**-T**  
= Locking Tool

NO. OF POSITIONS PER ROW	A	B
-025	(24.58) .968	(20.34) .801
-037	(32.20) 1.268	(27.96) 1.101

**ARJ6**  
**Cable Mates:**  
End 1: ARP6-L  
End 2: APF6



**ARJ6-DP-025-04-XX.X-L SHOWN**

NO. OF ROWS	C	D
-04	(14.90) .587	(12.54) .494
-06	(19.50) .768	(17.14) .675

STYLE	NO. OF POSITIONS PER ROW	PINOUT ARRANGEMENT
-DP	-025	8 Differential Pairs Per Row
-DP	-037	12 Differential Pairs Per Row

View complete specifications at: [samtec.com?ARJ6](http://samtec.com?ARJ6)

**PANEL RETENTION LATCH**

ARJ6-PB	NO. OF POSITIONS	NO. OF ROWS	NO OF BANKS	MOUNTING OPTIONS
---------	------------------	-------------	-------------	------------------

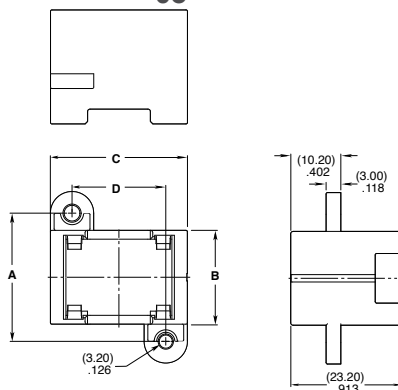
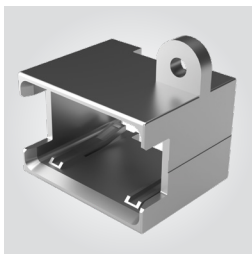
**-025**  
  
**-037**

**-04**  
  
**-06**

**-1**  
  
**-2**

**-S**  
Side Lugs  
(Leave blank for standard)

**ARJ6-PB**  
**Use With:**  
ARJ6, ARP6



**ARJ6-PB-025-04-1 SHOWN**

NO. OF ROWS	A	B
-04	(26.10) 1.028	(19.10) .752
-06	(30.70) 1.209	(23.70) .933

NO. OF POSITIONS PER ROW	C	D
-025	(27.88) 1.098	(19.08) .751
-037	(35.50) 1.398	(26.70) 1.051

View complete specifications at: [samtec.com?ARJ6-PB](http://samtec.com?ARJ6-PB)