



BE23S-35SPP-02-02-0152

BE23S SERIES

BULLS EYE® REPLACEMENT CABLE

SPECIFICATIONS

For complete specifications see www.samtec.com?BE23S

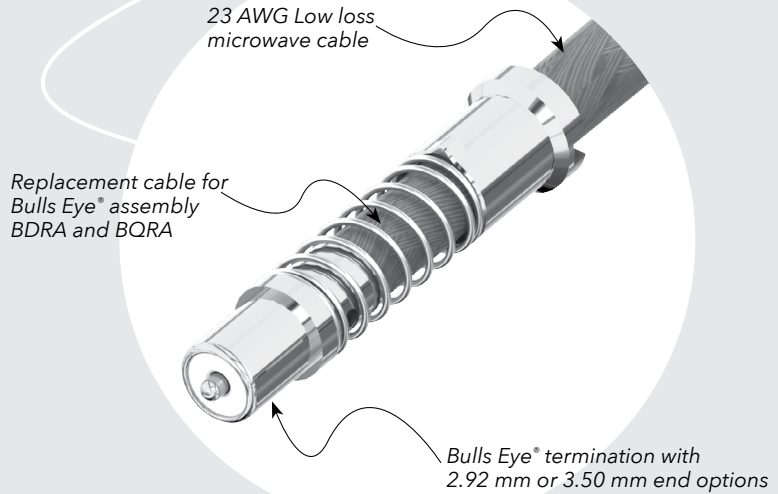
RF Connector:

- Shell Material:** Brass
- Contact Material:** BeCu
- Insulator Material:** Ultem 1000
- Operating Temperature:** -65 °C to +165 °C
- Impedance:** 50 Ω
- Frequency Range:** 20 GHz
- RoHS Compliant:** Yes

MWC-2350-01

- Cable:**
- Type:** Low Loss Microwave Coax
- Gauge:** 23 AWG
- Shield Material:** 1. Flat silver plated copper
2. Silver plated copper braid
- Dielectric:** Solid FEP
- Jacket Material:** FEP
- Bend Radius:** 12 mm
- Impedance:** 50 Ω ±1 Ω
- Propagation Delay:** 4.72 nsec/meter
- Capacitance:** 95.45 pF/meter

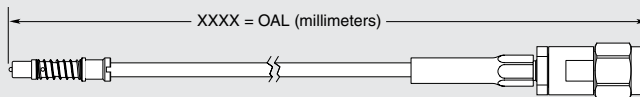
Available with:
BQRA, BDRA



EXTRACTION TOOL

- -SCC31: CAT-EX-SCC-03

CABLE TYPE	END 2 OPTION	PHASE MATCHING	NO. OF CABLES	OVERALL LENGTH
BE23S = MWC-2350-01 Microwave Cable with 23 AWG solid FEP Dielectric	Specify END 2 OPTION from chart	-02 = 2.0 Pico-second -05 = 5.0 Pico-second -10 = 10.0 Pico-second	-02 = 2 phase matched cable assemblies -04 = 4 phase matched cable assemblies -06 = 6 phase matched cable assemblies -08 = 8 phase matched cable assemblies	-“XXXX” = Overall Length in millimeters -0100 (100 mm) 3.94" to -9999 (9999 mm) .393.7"



-SCC31-35SPP SHOWN

END OPTIONS	
-92SJP = 2.92 mm -35SJP = 3.50 mm Straight Jack (30 μ" (0.76 μm) Gold on Center Contact, Passivated Stainless Steel on Shell)	
-92SPP = 2.92 mm -35SPP = 3.50 mm Straight Plug (30 μ" (0.76 μm) Gold on Center Contact, Stainless Steel on Shell)	
-SCC31 = Bulls Eye® Test Point with standard ferrule (30 μ" (0.76 μm) Gold on Center Contact, Gold Flash on Shell)	

Notes:
Cable lengths longer than 40.00" (1 meter) are not supported with S.I. test data.
Some lengths, styles and options are non-standard, non-returnable.