



BE40B-J-M-2-10

BE40B-J-M-2-04



BE40B SERIES

BULLS EYE® REPLACEMENT BLOCK

SPECIFICATIONS

For complete specifications and recommended PCB layouts see www.samtec.com?BE40B

Housing, Cover, & Nuts

Material:

Brass

Screws & Alignment Pin

Material:

Stainless Steel

Available with:

BE40A

TRANSMISSION TYPE



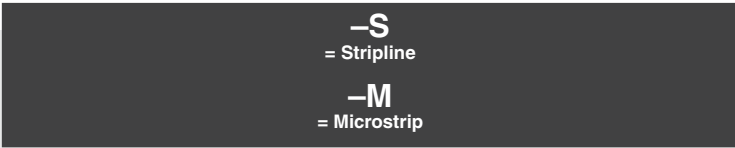
MICROSTRIP



STRIPLINE

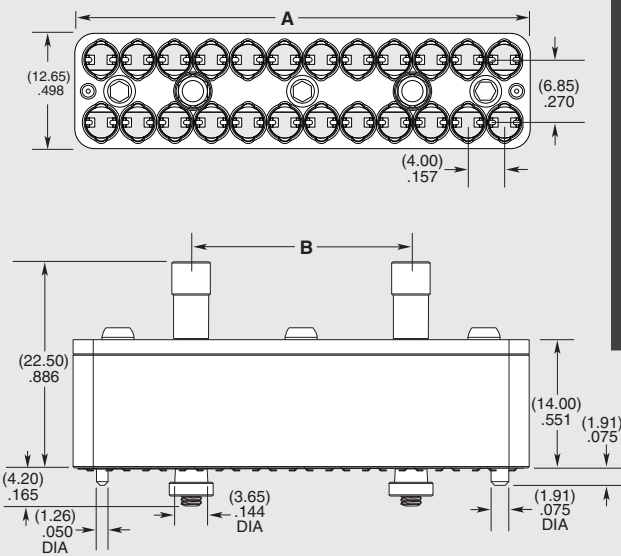


Replacement block for Bulls Eye® assembly BE40A



- 03 = 3 Positions
- 04 = 4 Positions
- 06 = 6 Positions
- 08 = 8 Positions
- 10 = 10 Positions
- 12 = 12 Positions
- 14 = 14 Positions
- 16 = 16 Positions

POSITIONS PER ROW	A	B
-03	(13.80) .543	N/A
-04	(17.80) .701	N/A
-06	(25.80) 1.016	
-08	(33.80) 1.331	(16.00) .630
-10	(41.80) 1.646	
-12	(49.80) 1.961	(24.00) .945
-14	(57.80) 2.276	
-16	(65.80) 2.591	N/A



BE40B-J-S-2-12 SHOWN

Note:
Some sizes, styles and options are non-standard, non-returnable.

Due to technical progress, all designs, specifications and components are subject to change without notice.

WWW.SAMTEC.COM

All parts within this catalog are built to Samtec's specifications. Customer specific requirements must be approved by Samtec and identified in a Samtec customer-specific drawing to apply.