

ACCLIMATE™

CCP-12-1-L-00.3-T-S-M

CCP-12-1-L-00.3-S-S-P

COST-EFFECTIVE

CCP-12 SERIES

IP68 12 mm CRIMP CABLE ASSEMBLY

SPECIFICATIONS

For complete specifications see www.samtec.com?CCP-12

Insulator Material:

PBT

Terminal Material:

Phosphor Bronze

Contact Material:

BeCu

Housing:

-P: Black Nylon

-M: Zinc Alloy

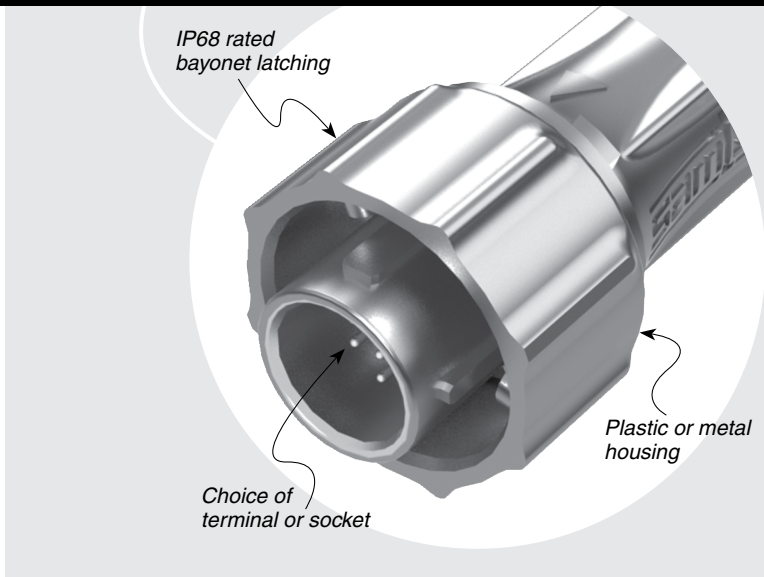
Cable Jacket:

TPU

RoHS Compliant:

Yes

Mates with:
CCR-12, CCRK-12,
CCRB-12



COMPONENTS

- For body, see www.samtec.com?CCPK-12
- For contacts, see www.samtec.com?T1M82-L
www.samtec.com?T1M82-R
www.samtec.com?CC81L
www.samtec.com?CC81R

DUST CAPS

- DCA-ACP-12-M-X (Metal)
- DCA-ACP-12-P-X (Plastic)



- Visit sealedio.samtec.com for a complete list of sealed systems

ALSO AVAILABLE (MOQ Required)

- Other assembly lengths

OTHER SOLUTIONS

- Solder cup version available
- For specifications, see www.samtec.com?ACP-12

Note:
Some lengths, styles and options are non-standard, non-returnable.

CCP	12	LEAD STYLE	PLATING	LENGTH	END 1	END 2	HOUSING MATERIAL
		-1 = 8 Positions, 28 AWG	-L = 10 μm (0.25 μm) Gold in contact area, Matte Tin on tail	-“XX.X” = Length in meters (00.3 m min. to 50.0 m max.) Standard lengths	-T = Terminal -S = Socket (Not available with End 2 -T)	-T = Terminal -S = Socket -B = Blunt Cut	-P = Plastic -M = Metal

