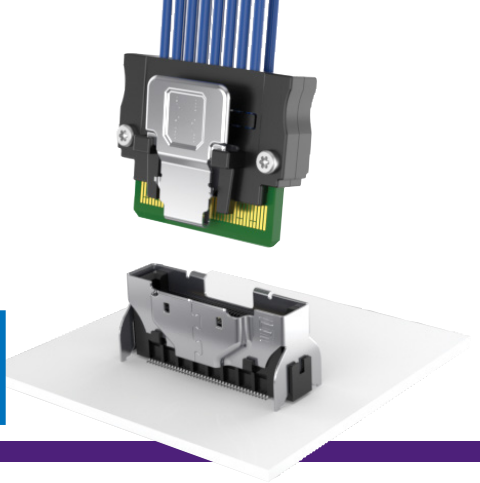


# HIGH-SPEED EDGE CARD CABLE & SOCKET

(0.50 mm) .0197" PITCH • FEDP/FCDP SERIES

16  
Gbps



## FEDP

Mates:  
FCDP-DV, FCDP-RA

### SPECIFICATIONS

**Cable:**  
34 AWG Eye Speed®  
ultra low skew twinax

**Signal Routing:**  
10 Ω

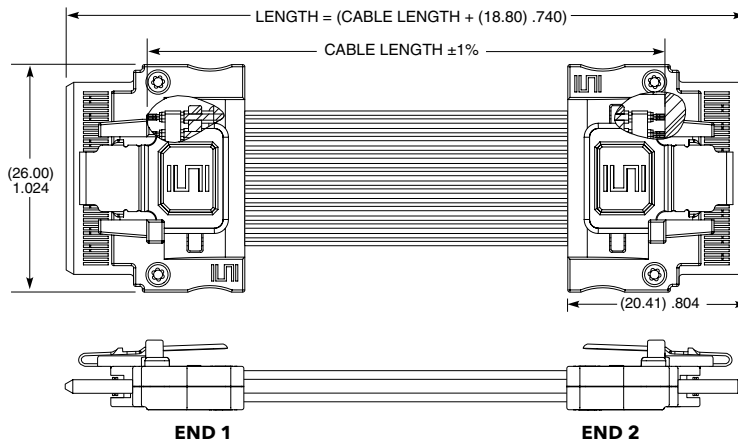
**Operating Temp Range:**  
-40 °C to +125 °C

**Current Rating:**  
1.3 A per pin  
(2 pins powered)



FEDP	NO. OF PAIRS	CABLE LENGTH	END 1	END 2	CABLE TYPE
------	--------------	--------------	-------	-------	------------

-16	- "XX.X" = Length in Inches 06.0" (152.4 mm) minimum	-LU = Latch Up	-LU = Latch Up	-LD = Latch Down	-1 = 34 AWG 100 Ω Eye Speed®
-----	---	-------------------	-------------------	---------------------	---------------------------------------



FEDP-16-XX.X-LU-LU-1 SHOWN

**Note:**  
For speeds up to 28G NRZ/56G PAM4, FEDP must be paired with FQSFP and FQSFP-DD. Contact [hdr@samtec.com](mailto:hdr@samtec.com) for more information.

Some sizes, styles and options are non-standard, non-returnable.

## FCDP

Mates:  
FEDP

### SPECIFICATIONS

**Insulator Material:**  
Black LCP

**Contact Material:**  
Copper Alloy

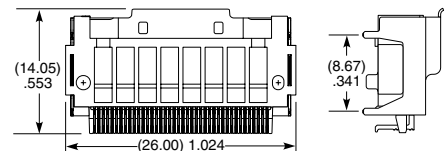
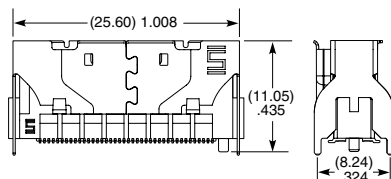
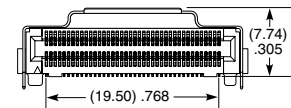
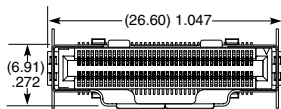
**Plating:**  
Au or Sn over  
50 μ" (1.27 μm) Ni

**Shield Material:**  
Copper Alloy

**Current Rating:**  
1.3 A per pin  
(2 pins powered)

FCDP	NO. OF PAIRS	01	PLATING OPTION	ROW	OPTION	PACKAGING
------	--------------	----	----------------	-----	--------	-----------

-16	-L = 10 μ" (0.25 μm) Gold on contact, Matte Tin on tail	-DV = Double Vertical	(-DV only)	Leave blank for tape and reel packaging
	-S = 30 μ" (0.76 μm) Gold on contact, Matte Tin on tail (Not available with -RA)	-RA = Right- angle	-S1 = Latch opposite pin 1	-FR = Full Reel Tape & Reel (must order max. quantity per reel; contact Samtec for quantity breaks)
			-S2 = Latch toward pin 1	



FCDP-16-01-X-DV-S1 SHOWN

FCDP-16-01-L-RA SHOWN

**Note:**  
Some sizes, styles and options are non-standard, non-returnable.