

## EDGE CARD CABLE ASSEMBLIES

(0.60 mm) .024" PITCH • GC6 SERIES

PAM4  
64  
Gbps



### GC6

**Mates:**  
HSEC6-DV, HSEC6-RA  
(Shield (-S) option  
required for mating)

### SPECIFICATIONS

**Cable:**  
34 AWG Eye Speed®  
ultra low skew twinax

**Signal Routing:**  
100 Ω Differential

**Plating:**  
Au over 50 μ" (1.27 μm) Nickel

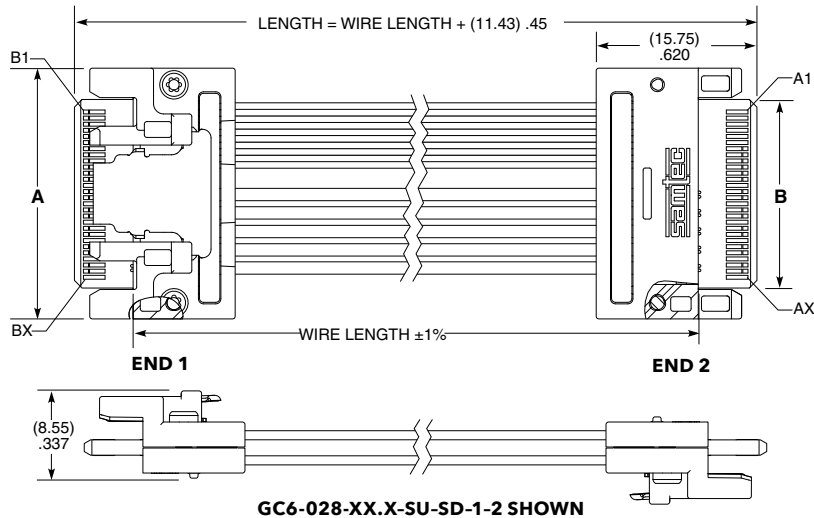
**Operating Temp Range:**  
Testing Now!

**Current Rating:**  
Testing Now!

**Voltage Rating:**  
190 VAC/269 VDC

**Protocols:**  
SFF-TA-1002 Compatible

GC6	NO. OF POSITIONS	WIRE LENGTH	END NO. 1	END NO. 2	WIRE MAPPING	CABLE TYPE
	-028 = 28 positions (1C)	-"XX.X" = Wire Length in Inches 06.0" (152.4 mm) minimum	-SU = Straight, Latch Up	-SD = Straight, Latch Down	-1 = Pin A1 to Pin A1	-2 = 34 AWG 100 Ω ultra low skew twinax cable
	-042 = 42 positions (2C)		-RU = Right- angle, Latch Up	-RD = Right- angle, Latch Down (Not available with -SU option)		
	-070 = 70 positions (4C)					



POSITIONS PER ROW	A	B	X
-028	(24.57) .967	(18.480) .728	28
-042	(36.29) 1.429	(30.170) 1.188	42
-070	(57.71) 2.272	(51.280) 2.019	70

### Notes:

Cable lengths longer than 40.00" (1 meter) are not supported with S.I. test data.

Design your full cable assembly with Samtec's High-Speed Cable Solutionator® at [www.samtec.com/cablebuilder](http://www.samtec.com/cablebuilder)

Some lengths, styles and options are non-standard, non-returnable.

