

GROUNDED GUIDEPOST SYSTEMS



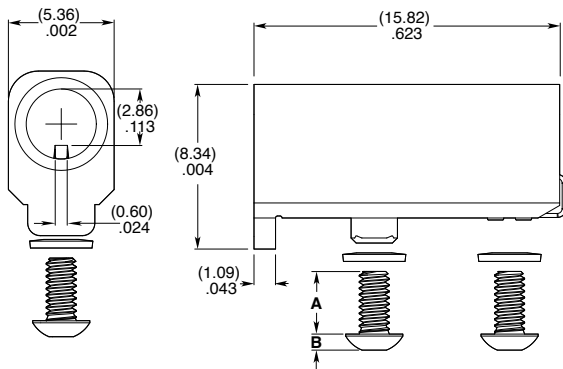
GPKSM - **01** - **01** - **KIT OPTION**

KIT OPTION	A	B
-1	(3.18) .125	(0.81) .032
-2	(4.78) .188	(0.81) .032

-1
= Use with
(1.60 mm) .062" card

-2
= Use with
(2.36 mm) .093" card

-N
= No Hardware



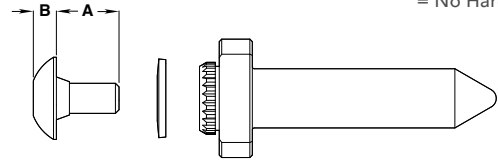
View complete specifications at: samtec.com?GPSKM

GPPKM - **01** - **01** - **KIT OPTION**

-1
= Use with
(1.60 mm) .062" card

-2
= Use with
(2.36 mm) .062" card

-N
= No Hardware



KIT OPTION	A	B
-1	(3.18) .125	(1.17) .046
-2	(4.78) .188	(1.17) .046

View complete specifications at: samtec.com?GPPKM

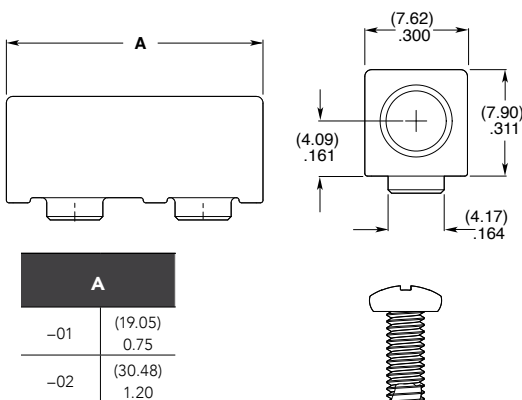
GPSK - **LEAD STYLE** - **01** - **SCREW OPTION**

Specify
**LEAD
STYLE**
from
chart

-1
= Use with
(1.60 mm) .062" card

-2
= Use with
(2.36 mm) .093" card

-N
= No Screw



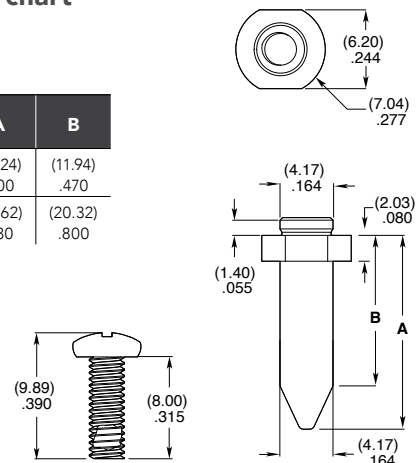
View complete specifications at: samtec.com?GPSK

GPPK - **LEAD STYLE** - **01** - **OPTION**

Specify
**LEAD
STYLE**
from
chart

-N
= No Screw
Included
(Leave blank for kit)

LEAD STYLE	A	B
-01	(15.24) .600	(11.94) .470
-02	(23.62) .930	(20.32) .800



View complete specifications at: samtec.com?GPPK