

**(5.00 mm) .197"**

**GRF7-C SERIES**

# 75 Ω GANGED MICRO-MINI RF CABLE

## SPECIFICATIONS

For complete specifications see [www.samtec.com?GRF7-C](http://www.samtec.com?GRF7-C)

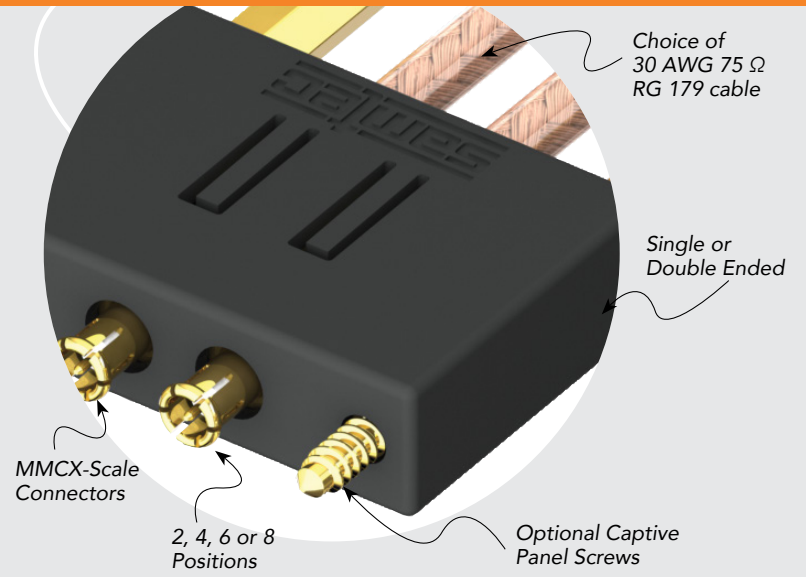
- Housing Material:** ABS
- Shell Material:** Brass
- Insulator Material:** PTFE
- Contact Material:** BeCu
- Pin Material:** Brass
- Operating Temp Range:** -CA3: -50 °C to +165 °C
- Impedance:** 75 Ω
- Frequency Range:** -CA3: 0~3 GHz
- RoHS Compliant:** Yes

- RG 179 Cable:**
- Impedance:** 75 Ω ±3 Ω
- Capacitance:** 64 pF/meter
- Max Attenuation (cable only):** 0.8 dB @ 1 GHz for 1 meter
- Conductor Size:** 30 AWG, (0.31 mm) .012" dia.
- Conductor Material:** Silver Plated Copper
- Insulator Material:** PTFE
- Shield Material:** Silver Plated Copper
- Jacket Material:** FEP
- Jacket Diameter:** (2.54 mm) .100"
- Jacket Color:** Amber
- RoHS Compliant:** Yes

**Mates with:**  
GRF7-J

**TOOLING**  
Application Tooling.  
Contact [atg@samtec.com](mailto:atg@samtec.com) for more information.

**OTHER SOLUTIONS**  
• 75 Ω Board-to-Board system (see GRF7-J & GRF7-P Series)



GRF7	P	C	NO. OF POSITIONS	LENGTH	CABLE TYPE	END OPTION	SCREW OPTION	PLATING
			-02, -04, -06, -08	-"XXXX" = Assembled Length in millimeters -0100 to -1000 (100 mm) 3.94" minimum	-CA3 = RG 179 Cable	-S = Single -D = Double	(Leave blank for no Screw Option) -S = Captive Panel Screws	(Leave blank for -HF (30 μm) (0.76 μm) Gold center contact, 3 μm (0.08 μm) Gold outer contact) -GF = 10 μm (0.25 μm) Gold center contact, 3 μm (0.08 μm) Gold outer contact

## RECOGNITIONS

For complete scope of recognitions see [www.samtec.com/quality](http://www.samtec.com/quality)



**Notes:**  
Cable lengths longer than 40.00" (1 meter) are not supported with S.I. test data.  
This Series is non-standard, non-returnable.

