

GRF7H-4-0500-1-CA3-S-73SP1

(5.00 mm) .197"

75 Ω HYBRID MICRO-MINI RF CABLE

SPECIFICATIONS

For complete specifications see www.samtec.com?GRF7H-C

RF Connector:

Shell Material:
Brass
(GRF, MCX, SMB, DIN, BNC, MMCX7-J)
BeCu
(MMCX7-P)

Insulator Material:
PTFE

Contact Material:
BeCu
(GRF, SMB)
Brass
(MCX, BNC-P, MMCX7)
Copper Alloy
(DIN, BNC-J)

Operating Temp Range:
-40 °C to +90 °C

Impedance:
75 Ω

RoHS Compliant:
Yes

RG 179 Cable:

Impedance:
75 Ω ±3 Ω
Capacitance:
64 pF/meter
Max Attenuation (cable only):
0.8 dB @ 1 GHz for 1 meter
Conductor Size:
30 AWG, (0.31 mm) .012" dia.

Conductor Material:
Silver Plated Copper

Insulator Material:
PTFE

Shield Material:
Silver Plated Copper
Jacket Material:
FEP

Jacket Diameter:
(2.54 mm) .100"

Jacket Color:
Amber
Bend Radius:
10.2 mm

RoHS Compliant:
Yes

RECOGNITIONS

For complete scope of recognitions see www.samtec.com/quality

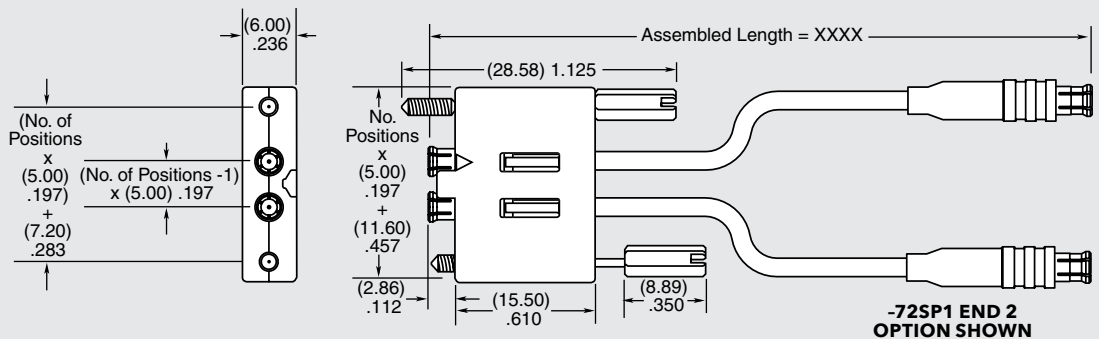
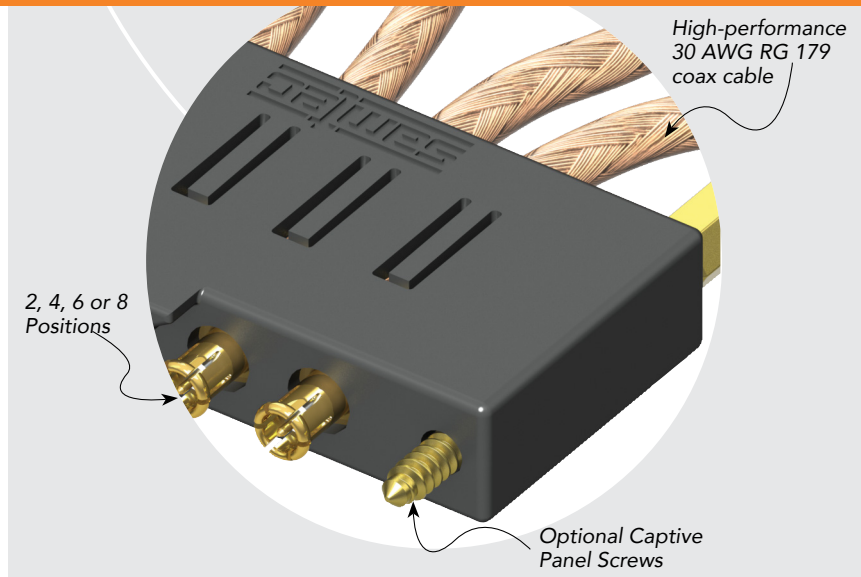


Notes:
Cable lengths longer than 40.00" (1 meter) are not supported with S.I. test data.

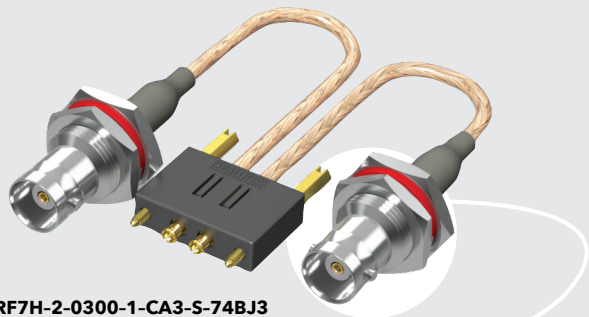
This series is non-standard, non-returnable.

Mates with:
GRF7-J

End 2 Mates:
MCX7, MMCX7, SMB7H, DIN7A, BNC7T



END OPTIONS		END OPTIONS	
-73SP1 = 75 Ω MMCX7 Straight Plug (30 μ" (0.76 μm) Gold on Center Contact, Gold Flash on Shell)		-72SP1 = 75 Ω MCX Straight Plug (30 μ" (0.76 μm) Gold on Center Contact, Gold Flash on Shell)	
-73SJ1 = 75 Ω MMCX7 High Vibration Straight Jack (30 μ" (0.76 μm) Gold on Center Contact, Gold Flash on Shell)		-72RP1 = 75 Ω MCX Right-angle Plug (30 μ" (0.76 μm) Gold on Center Contact, Gold Flash on Shell)	

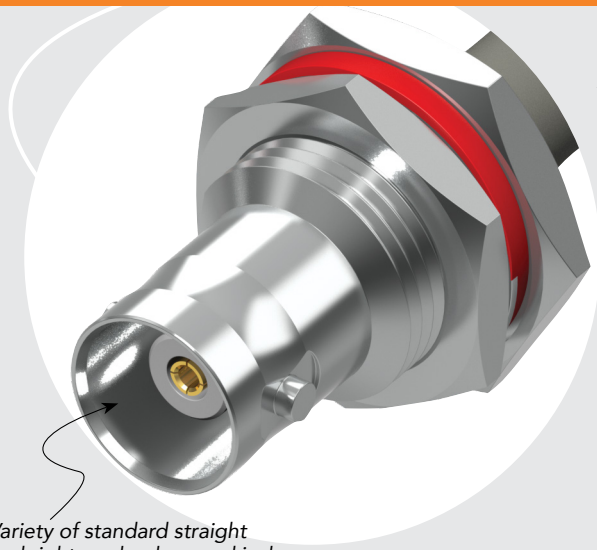


GRF7H-2-0300-1-CA3-S-74BJ3

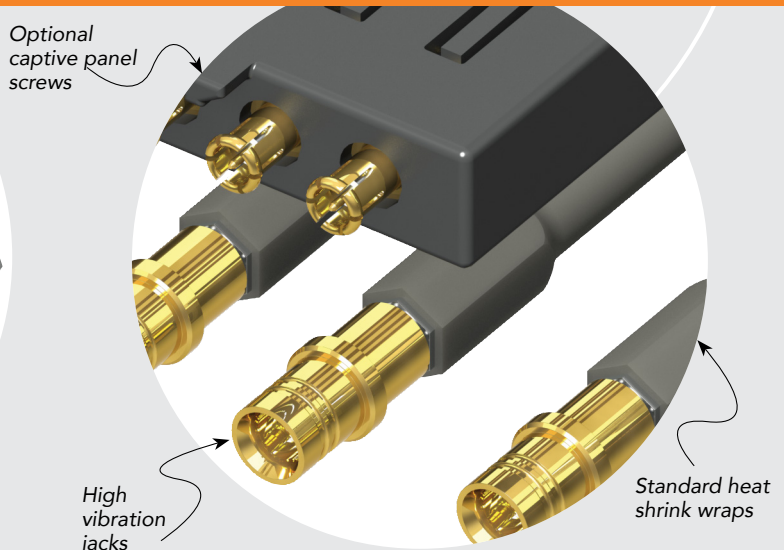


GRF7H-4-0800-1-CA3-73SJ1

GRF7H-C SERIES



Variety of standard straight and right-angle plugs and jacks



Optional captive panel screws

High vibration jacks

Standard heat shrink wraps

END 1 PLATING

-1

= All Gold components

CABLE TYPE

-CA3

= RG 179 cable

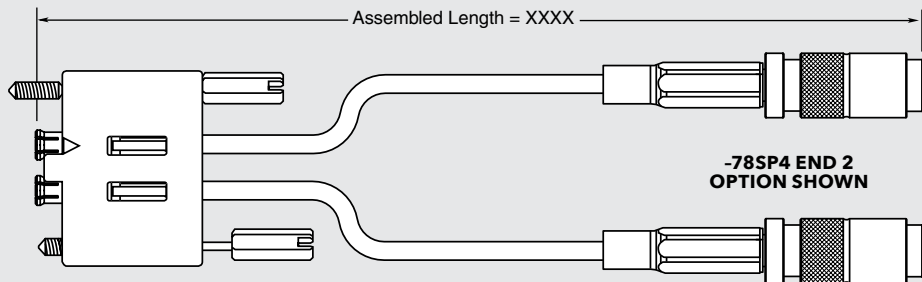
SCREW OPTION

-S

= Captive Panel Screws
(Leave blank for no Screw Option)

END 2 OPTION

Specify END OPTIONS from chart



END OPTIONS	
<p>-77RP1 = 75 Ω SMB Right-angle Plug (30 μ" (0.76 μm)) Gold on Center Contact, Gold Flash on Shell)</p>	
<p>-77SP1 = 75 Ω SMB Straight Plug (30 μ" (0.76 μm)) Gold on Center Contact, Gold Flash on Shell)</p>	
<p>-78SP4 = 75 Ω DIN Straight Plug (10 μ" (0.25 μm)) Gold on Center Contact, Nickel on Shell)</p>	

END OPTIONS	
<p>-74BJ3 = 75 Ω BNC Straight Bulkhead Jack (10 μ" (0.25 μm)) Gold on Center Contact, Nickel on Shell)</p>	
<p>-74SP3* = 75 Ω BNC Straight Plug (10 μ" (0.25 μm)) Gold on Center Contact, Nickel on Shell)</p> <p>(*Die Cast also available = -D4SP3)</p>	