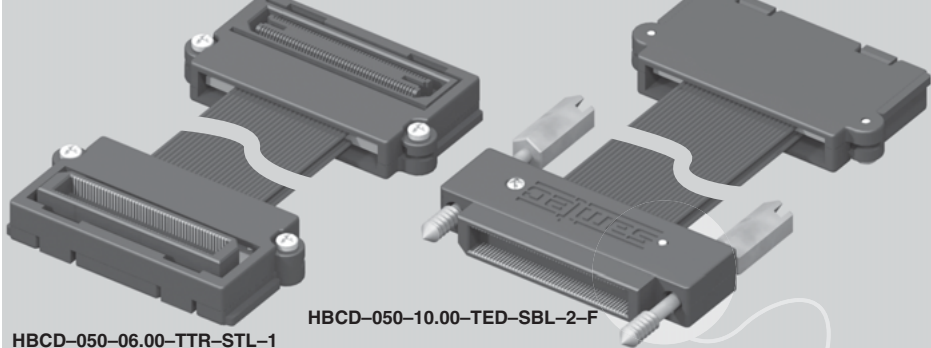




(0,50 mm) .0197"

HBCD SERIES



# BASIC COAX CABLE ASSEMBLIES

## SPECIFICATIONS

For complete specifications see [www.samtec.com?HBCD](http://www.samtec.com?HBCD)

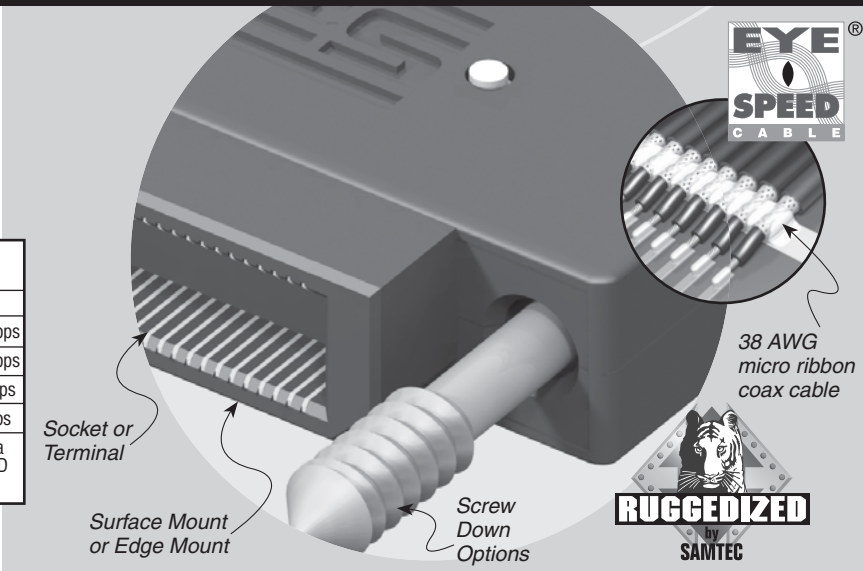
**Cable:** 38 AWG coax micro ribbon  
**Signal Routing:** 50Ω Single-Ended  
**Overall Length:** (152 mm) 6" to (1 m) 40" standard  
**Cable Flexing Life:** >40,000 cycles  
**Cable Bending Radius:** <2,5 mm  
**Plating:** Au over 50µ" (1,27 µm) Ni  
**Current Rating:** 300 millamp per contact max  
**Propagation Delay:** 4.79 nsec/meter  
**Operating Temp Range:** -40°C to +105°C  
**RoHS Compliant:** Yes



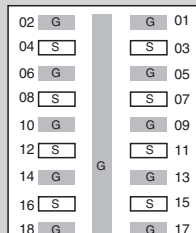
Mates with: BTH, BSH

Cable Length	Rated @ 7dB Insertion Loss
	HBCD
6" (152,4 mm)	6.62 GHz / 13.24 Gbps
12" (304,8 mm)	5.14 GHz / 10.28 Gbps
19.68" (0,5 m)	3.74 GHz / 7.48 Gbps
39.37" (1 m)	2.4 GHz / 4.80 Gbps

Performance and complete test data available at [www.samtec.com?HBCD](http://www.samtec.com?HBCD) or contact sig@samtec.com



## HBCD ROUTING



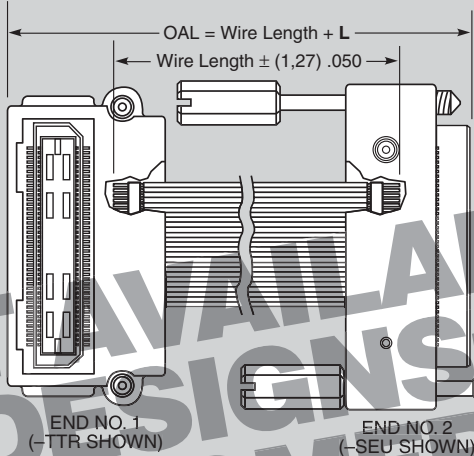
— "XX.XX"  
 = Wire Length in Inches (43,7 mm) 01.72" minimum

Specify END ASSEMBLIES from chart

-1 = Pin 1 to Pin 1  
 -2 = Pin 1 to Pin 2

Leave blank for no Screw Option  
 -F = End No. 1  
 -S = End No. 2  
 -B = Both Ends

END TO END	L
Surface Mount to Surface Mount	(25,30) .996
Surface Mount to Edge Mount	(22,30) .878
Edge Mount to Edge Mount	(19,30) .760



END	SURFACE MOUNT
**TTR	Terminal, Top, Notch Right
†TTL	Terminal, Top, Notch Left
**TBR	Terminal, Bottom, Notch Right
†TBL	Terminal, Bottom, Notch Left
*STR	Socket, Top, Notch Right
**STL	Socket, Top, Notch Left
**SBR	Socket, Bottom, Notch Right
*SBL	Socket, Bottom, Notch Left

END	EDGE MOUNT
*TEU	Terminal, Edge, Notch Up
**TED	Terminal, Edge, Notch Down
**SEU	Socket, Edge, Notch Up
*SED	Socket, Edge, Notch Down

NOTES:  
 \* N/A with TTR, STL, SBR, TEU, SED First End  
 \*\* N/A with TBR, STR, SBL, TED, SEU First End  
 \*\*\* N/A as Second End  
 † N/A as First End

NOTES:  
 \* N/A with TTR, STL, SBR, TEU, SED First End  
 \*\* N/A with TBR, STR, SBL, TED, SEU First End

**Note:** Cable lengths longer than 40.00" (1 meter) are not supported with S.I. test data.

**Note:** Verify part number and correct wiring scheme with Samtec's Interactive Cable Builder at [www.samtec.com/cable\\_builder/pitch.aspx](http://www.samtec.com/cable_builder/pitch.aspx)

**Note:** This Series is non-standard, non-returnable.

Due to technical progress, all designs, specifications and components are subject to change without notice.

WWW.SAMTEC.COM