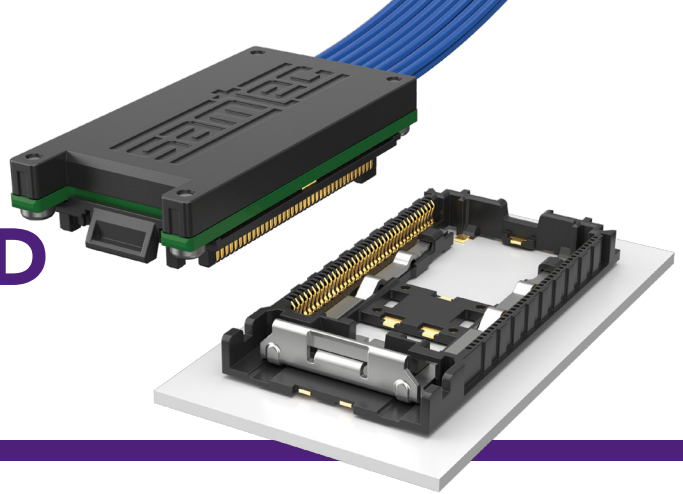




COPPER MID-BOARD CABLE SYSTEM



HALO-PE/HLF6 SERIES

HALO-PE

Mates:
HLF6



-PE
= Passive

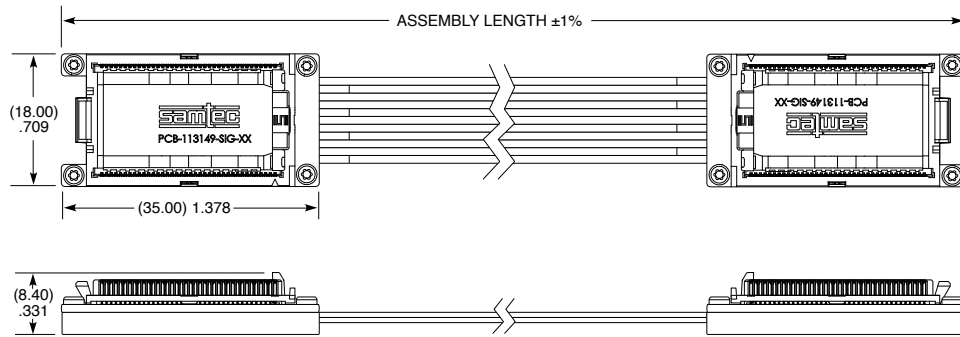
-01
= A1 to B1

-4
= 112G

-"XXXX"
= Assembly Length
in millimeters
(0250 mm to 5000 mm)

SPECIFICATIONS

Cable:
34 AWG Eye Speed Thinax™
ultra low skew twinax cable
Signal Routing:
92 Ω
Operating Temp Range:
Testing Now!



HALO-PE-01-4-XXXX SHOWN

Notes:
Cable lengths longer than 1500 mm are not supported with S.I. test data.

Some sizes, styles and options are non-standard, non-returnable.

View complete specifications at: samtec.com?HALO-PE

HLF6

Mates:
HALO-PE



-38
(Per Row)

-03.5
= (3.5 mm)
.138"

-S
= 30 μ"
(0.76 μm)
Gold on contact area,
Matte Tin on tail

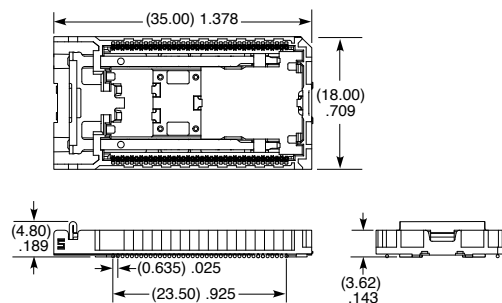
-2
= Lead-Free
Solder Balls

-TR
= Tape & Reel

-FR
= Full Reel
Tape & Reel
(must order
maximum quantity
per reel; contact
Samtec for
quantity breaks)

SPECIFICATIONS

Insulator Material:
Black LCP
Contact Material:
Copper Alloy
Plating:
Au or Sn over
50 μ" (1.27 μm) Ni
Weld Tab:
Copper Alloy
Latch:
Stainless Steel
Operating Temp Range:
Testing Now!



HLF6-38-03.5-S-2-XR SHOWN

Note:
Some sizes, styles and options are non-standard, non-returnable.

View complete specifications at: samtec.com?HLF6