

## SMP3 TO 65 GHz

### SMP3 Assemblies RF047-A



| SERIES  | END 1 CONNECTOR                         | END 2 CONNECTOR | OVERALL LENGTH  |
|---|---|-----------------|---|
| <b>RF047-A</b><br>= (1.2 mm) .047" overshield DIA<br>29 AWG millimeter wave cable | <b>-M3RT</b><br>= SMP3 Right-angle Jack |                 | <b>-“XXXX”</b><br>= Overall Length in millimeters<br>-0100 (100 mm) 3.94" minimum |

#### ALSO AVAILABLE

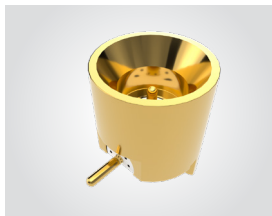
1.00 mm, 1.35 mm, 1.85 mm, 2.40 mm, 2.92 mm,  
SMPM, SMP, SMA = RF047-A

#### VSWR

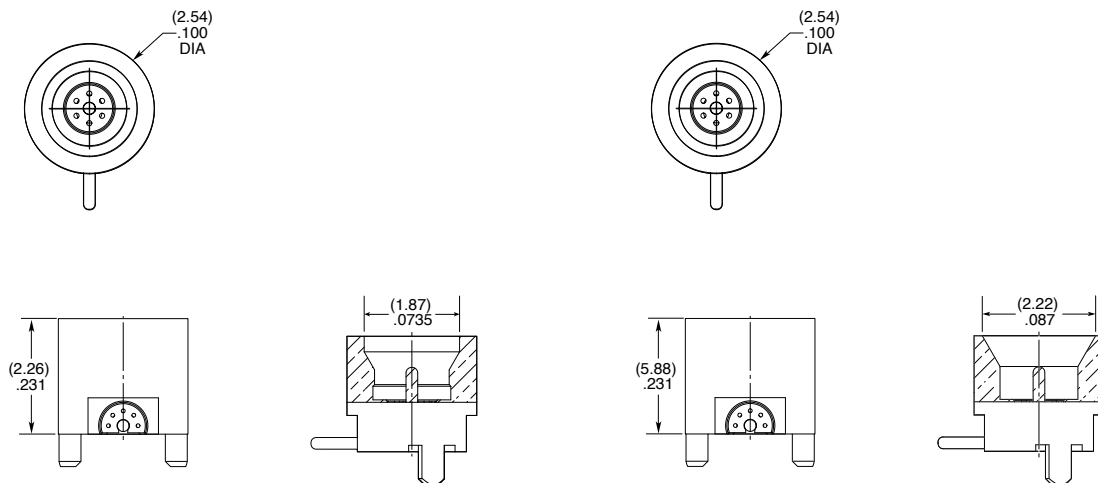
RF047-A: (DC to 20 GHz)

### SMP3 Board Connectors SMP3

Cable Mates:  
RF047-A



| SMP3 | GENDER   | TYPE                     | PLATING  | ORIENTATION              | MT | "XR"   | OPTION   |
|------|--|--------------------------|--|--------------------------|----|--|--|
|      | <b>-PF</b><br>= Full Detent<br><b>-PS</b><br>= Smooth Bore<br><b>-PC</b><br>= Catcher's Mitt | <b>-P</b><br>= PCB Mount | <b>-EE</b><br>= 50 μ"<br>(1.27 μm)<br>extra heavy Gold center contact and outer body | <b>-ST</b><br>= Straight |    | Leave blank for Tray Packaging<br><b>-TR</b><br>= Tape & Reel<br><b>-FR</b><br>= Full Reel Tape & Reel (must order max. quantity per reel; contact Samtec for quantity breaks) | <b>-K</b><br>= Polyimide film Pick & Place Pad |



-PF & -PS SHOWN

-PC SHOWN