

SS2SD SERIES

(2.00 mm) .0787"

DISCRETE SHIELDED CABLE ASSEMBLY

SPECIFICATIONS

For complete specifications see www.samtec.com?SS2SD

Body & Housing Material: PA66-RG301

Contact Material: Phosphor Bronze

Cable Material: Tinned Copper/PVC

Plating: Sn or Au over

50 μm (1.27 μm) Ni

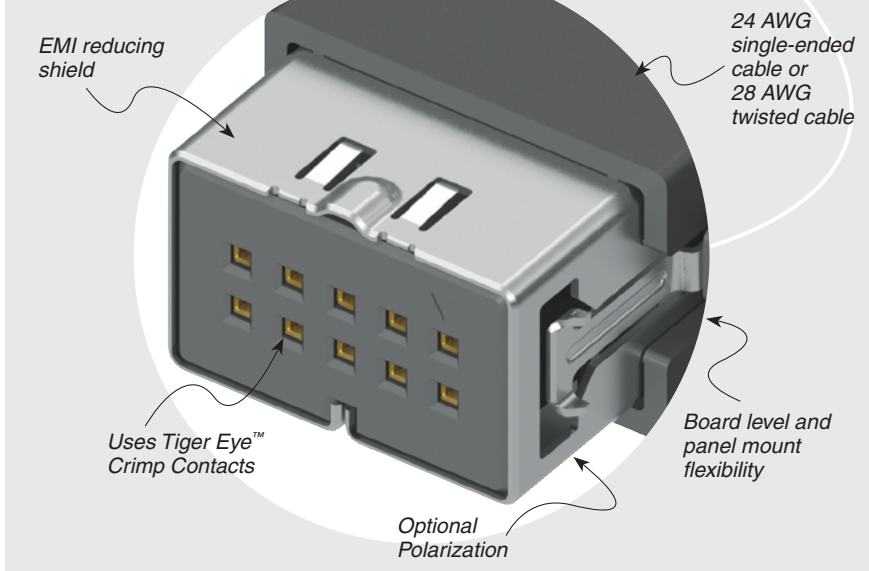
Current Rating: Testing Now!

Voltage Rating: Testing Now!

Operating Temp Range: Testing Now!

EMI Reduction: Testing Now!

Mates with: ST2M



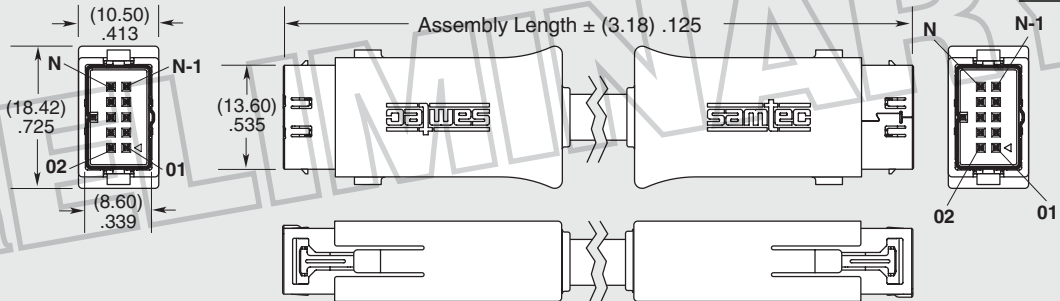
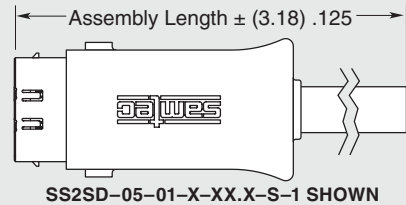
ALSO AVAILABLE (MOQ Required)

- Other polarization end options
- Other sizes available

OTHER SOLUTIONS

- Components available on request

SS2SD	NO. OF POSITIONS	LEAD STYLE	PLATING OPTION	ASSEMBLED LENGTH	END OPTION	END 1 POL.	WIRE OPTION
	05 (Per Row)	-01 = 24 AWG single-ended cable -02 = 28 AWG twisted cable	-L = 10 μm (0.25 μm) Gold in contact area, Tin on tail -S = 30 μm (0.76 μm) Gold in contact area, Tin on tail	- "XX.X" = Assembled Length in Inches -S = (69.9 mm) 02.8" min. -D = (80.3 mm) 03.2" min.	-S = Single End -D = Double End	-1 = Polarization option (Other polarization options available)	(Leave blank for -S end option) -1 = Pin 1 to Pin 1 -2 = Pin 1 to Pin 2 -3 = Pin 1 to Pin N-1 -4 = Pin 1 to Pin N



Note: Some lengths, styles and options are non-standard, non-returnable.

Due to technical progress, all designs, specifications and components are subject to change without notice.

WWW.SAMTEC.COM

All parts within this catalog are built to Samtec's specifications. Customer specific requirements must be approved by Samtec and identified in a Samtec customer-specific drawing to apply.