

## 50 Ω TNC TO 6 GHz

### TNC Cable Assemblies

RF174, RF178, RF316, RS316, RF058



SERIES	END 1 CONNECTOR	END 2 CONNECTOR	OVERALL LENGTH
<b>RF174</b> = RG 174 Cable	<b>-05SP3</b> = TNC Straight Plug (RF058 not available)	<b>-05BJ3</b> = TNC Straight Bulkhead Jack (RS316 & RF058 not available)	<b>-"XXXX"</b> = Overall Length in millimeters  -0100 (100 mm) 3.94" minimum
<b>RF178</b> = RG 178 Cable			
<b>RF316</b> = RG 316 Cable, Single Braid Shield			
<b>RS316</b> = RG 316 Cable, Double Shielded			
<b>RF058</b> = RG 58 Cable			

#### ALSO AVAILABLE

50 Ω: MCX, MMCX, SMA, SMB, BNC,  
N Type = RF174, RF178, RF316

50 Ω: MCX, MMCX, SMA, BNC = RS316

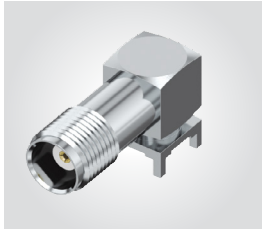
50 Ω: SMA, N Type = RF058

### TNC Board Connectors


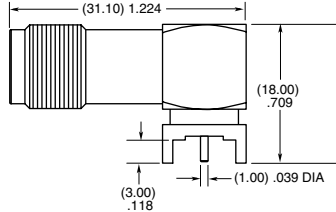
TNC-TH

#### Cable Mates:

RF174, RF178, RF316, RS316, RF058, GRF1H-C



TNC	GENDER	TYPE	PLATING	ORIENTATION	TERMINATION
	<b>-J</b> = Jack	<b>-P</b> = PCB Mount	<b>-H</b> = 30 μ" (0.76 μm) Gold center contact, Nickel on shell	<b>-RA</b> = Right-angle	<b>-TH1</b> = Through-hole

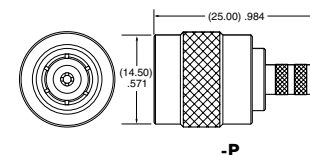
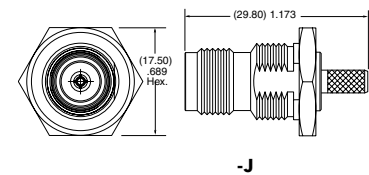
### TNC Cable Connectors

TNC-CA



CONNECTORS FOR INDUSTRY STANDARD CABLES	
TNC-P-C-GN-ST-CA1	RG 174/316 Cable
TNC-P-C-GN-ST-CA2	RG 178 Cable
TNC-P-C-GN-SR-C10	RG 58 Cable
TNC-J-C-GN-ST-BH1	RG 174/316 Cable, Bulkhead
TNC-J-C-GN-ST-BH2	RG 178 Cable, Bulkhead

P-C = Cable Plug  
J-C = Cable Jack  
GN = Plating (10 μ" Gold on contact, Nickel on body)  
ST = Straight  
SR = Straight Reverse Polarity



Supplied with pins, washers, nuts and ferrules. See website for dimensions.