

VITA 57.4 FMC+ HSPC LOOPBACK CARD

VITA 57.4-COMPLIANT FMC+ PROVIDES LOOPBACK FOR FPGA CARRIER CARDS

Samtec's VITA 57.4 FMC+ HSPC Loopback Card provides FPGA designers an easy to use loopback option for testing low-speed and high-speed multi-gigabit transceivers on any FPGA development board or FPGA carrier card. It can run system data or BER testing on all channels in parallel. This makes evaluation and development with an FPGA much easier and is an ideal substitute for 28 Gbps test equipment.

FEATURES:

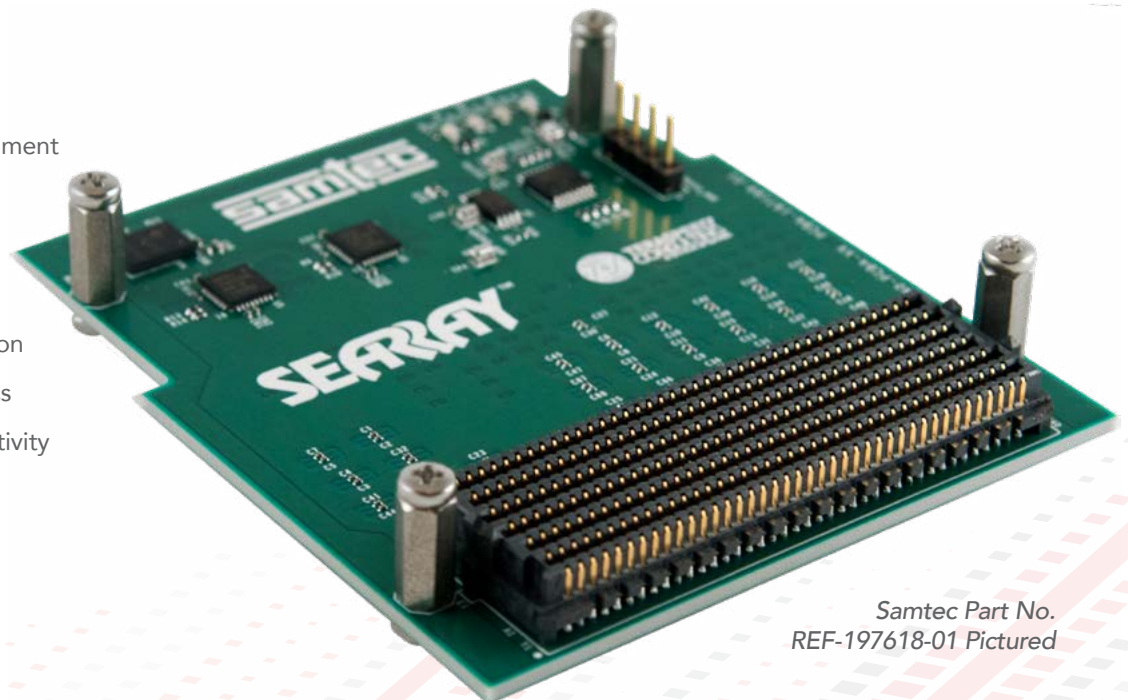
- VITA 57.4 FPGA Mezzanine Card Plus (FMC+) form factor
- High Serial Pin Count (HSPC) VITA 57.4 FMC+ connector (Samtec P/N: ASP-184330-01)
- Features optimized SI performance via Samtec Final Inch® BOR PCB trace routing for HSPC connector
- Supports up to 24 high-speed multi-gigabit transceivers. TX and RX operating at up to 28 Gbps per channel
- Default Reference Clock Frequency = 156.25 MHz

APPLICATIONS:

- FPGA Development
- FPGA Carrier Card Development
- Datacom
- Broadcast
- Aerospace/Defense
- Industrial and Instrumentation
- High-speed ADCs and DACs
- Next generation RF connectivity
- High-speed serial memory
- High-density fiber optics

KIT INCLUDES:

- HSPC Loopback Card
- Quick Start Guide



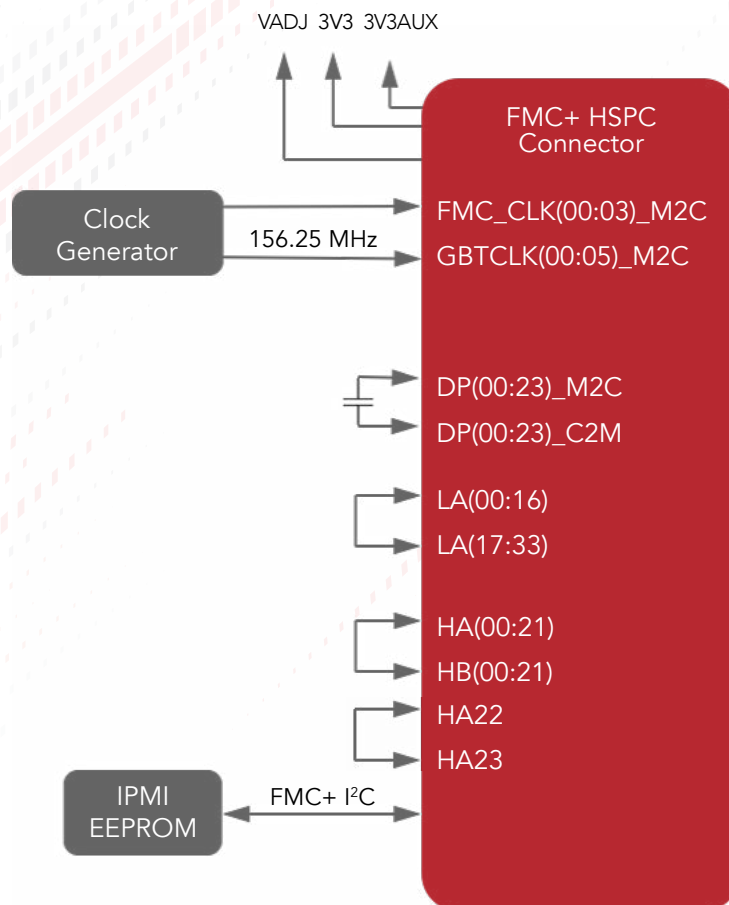
Samtec Part No.
REF-197618-01 Pictured

VITA 57.4 FMC+ HSPC LOOPBACK CARD

For additional information or support on your VITA 57.4 FMC+ HSPC design, please visit www.samtec.com/tools/kits-and-boards/hspc-fmcp.

- VITA 57.4 FPGA Mezzanine Card Plus (FMC+) form factor
- High Serial Pin Count (HSPC) Connector
- FMC I/O voltage: VADJ=1.2 V, 1.5 V, 1.8 V, 2.5 V or 3.3 V (FPGA carrier card dependent)

VITA 57.4 FMC+ LOOPBACK CARD BLOCK DIAGRAM



UNITED STATES • NORTHERN CALIFORNIA • SOUTHERN CALIFORNIA • SOUTH AMERICA • UNITED KINGDOM • GERMANY • FRANCE • ITALY • NORDIC/BALTIC
BENELUX • ISRAEL • INDIA • AUSTRALIA / NEW ZEALAND • SINGAPORE • JAPAN • SHANGHAI • SHENZHEN • TAIWAN • HONG KONG • KOREA