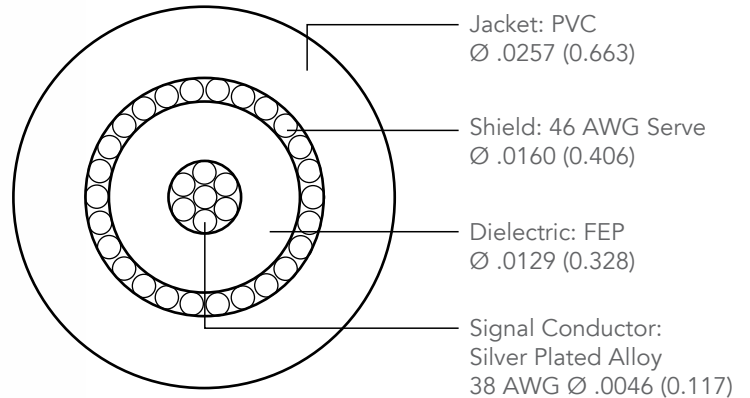


50 Ω, 38 AWG MICRO COAX CABLE

TCF-3850-XX-XX



PERFORMANCE DATA

Capacitance: 30 pF/ft (nominal)
 Propagation Delay: 1.46 ns/foot
 Flex Cycles: 80,000 cycles, 20-wide ribbon*
 Single conductor = 1.3 Amps**
 20 conductors = 0.4 Amps**

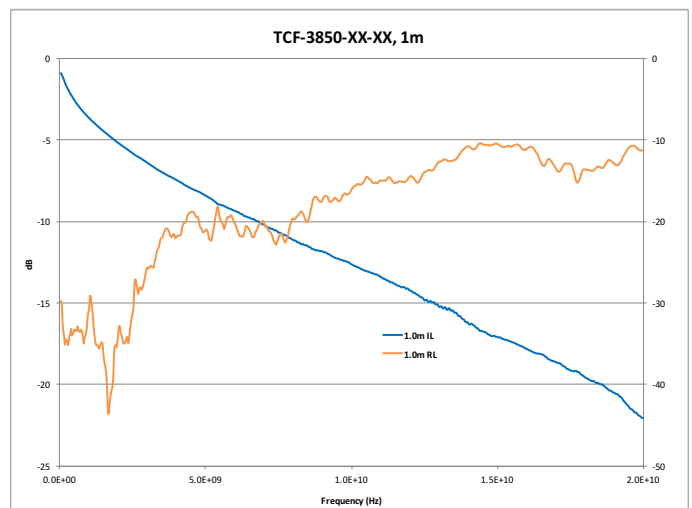
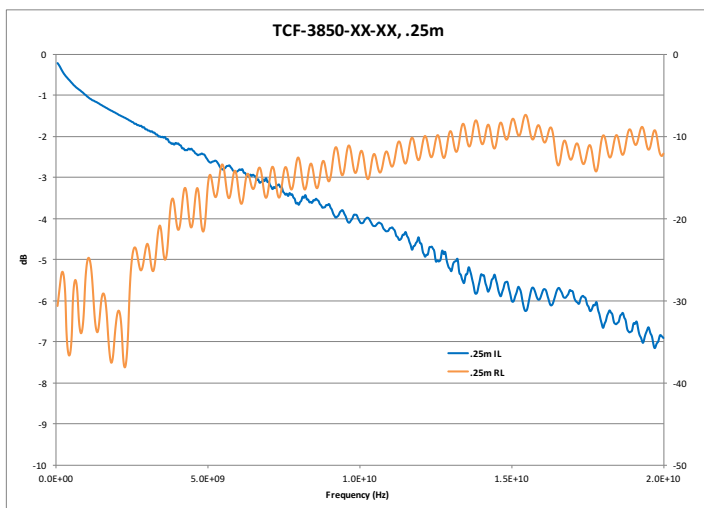
Current Rating:
 Shield DCR: 156 Ω/1000 ft
 CC DCR: 817 Ω/1000 ft
 Min. Bend Radius: .125"

Availability: Single, 2-35 ribbon, tape bonded
 Temperature Rating: -25 °C to 105 °C, UL VW-1 Tested ***
 DWV Working Voltage: 219 V†

Insertion Loss	0.25 m	1 m
-3 dB	6.6 GHz	0.7 GHz
-7 dB	19.7 GHz	3.5 GHz

* Test Conditions – 8 oz. weight, dia 1/4" mandrel, +/-90 bend X2
 ** Rating – 30 °C Temperature Rise, 20% de-rated.
 Testing performed on 20-position ribbon.
 *** Test Conditions – Heat Shock/Cold Bend per UL1581,
 wire wrap 1/4" mandrel, visual inspection
 †Test Conditions – IR/DWV/Thermal Shock/Humidity
 per EIA-364-20, 21, 31 and 32

INSERTION LOSS AND RETURN LOSS GRAPHS‡



‡IL and RL data are typical. Results may vary.



1.800.SAMTEC.9 • HDR@samtec.com

September 3, 2019 • Rev: L