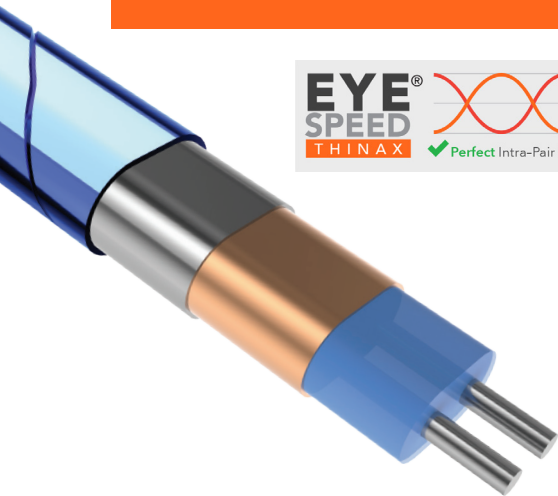
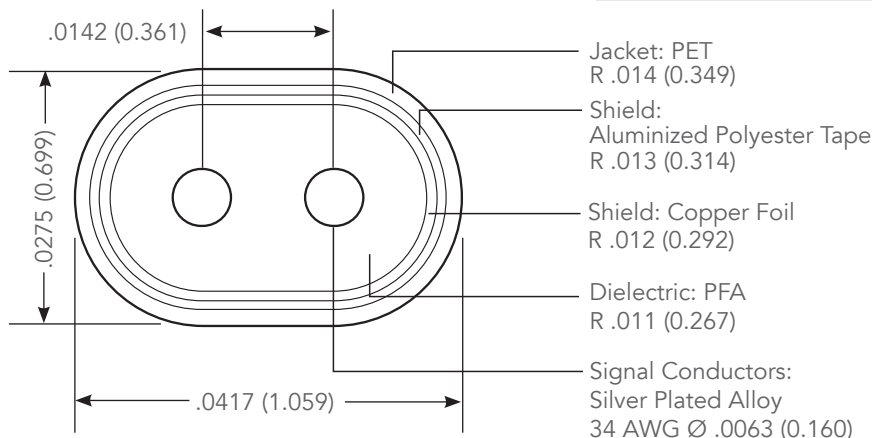


# 92 Ω, 34 AWG SOLID, CU MICRO THINAX™ CABLE HT



TTF-3492CU-01-PET-S



## PERFORMANCE DATA

|                      |  |
|----------------------|--|
| Capacitance:         | 15.3 pF/ft leg-to-leg (nominal)                          |
| Skew:                | 3.5 ps/m max within pairs                                |
| Propagation Delay:   | 1.45 ns/foot   |
| Flex Cycles:         | 4,000 cycles, single* est.                               |
| Current Rating:      | Single conductor: 1.5 Amps**<br>2 conductors: 1.1 Amps** |
| Shield DCR:          | 149 Ω/1000 ft  |
| CC DCR:              | 317 Ω/1000 ft  |
| Min. Bend Radius:    | .125"  |
| Availability:        | Single, tape bonded                                      |
| Temperature Rating:  | -40 °C to 140 °C ***                                     |
| DWV Working Voltage: | 252 V†   |

| Insertion Loss | 0.25 m   | 1 m      |
|----------------|----------|----------|
| -3 dB          | 29.8 GHz | 2.3 GHz  |
| -7 dB          | > 32 GHz | 11.5 GHz |

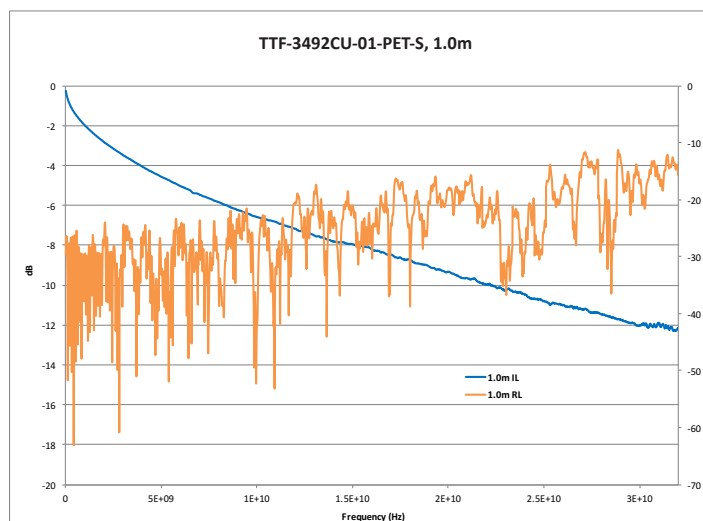
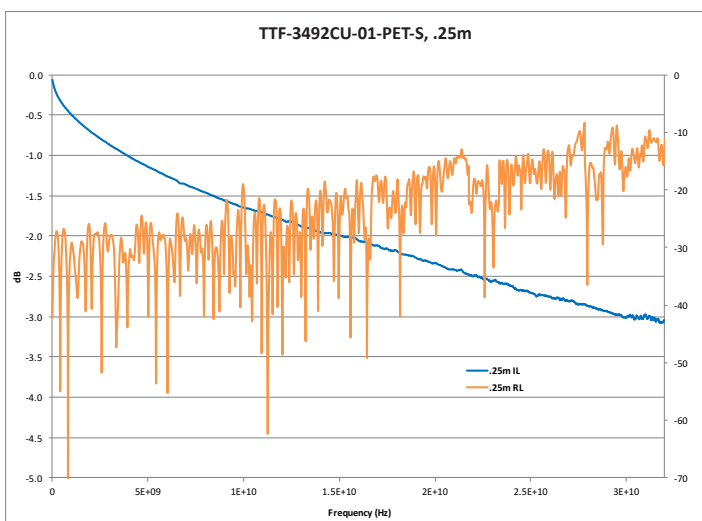
\* Test Conditions – 4 oz. weight, dia 7/8" mandrel, +/-90 bend X2

\*\* Rating – 30 °C Temperature Rise, 20% de-rated. Testing performed on single.

\*\*\* Test Conditions – Heat Shock/Cold Soak per UL #1581, wire wrap 7/8" mandrel, visual inspection

† Test Conditions – IR/DWV/Thermal Shock/Humidity per EIA-364-20, 21, 31 and 32

## INSERTION LOSS AND RETURN LOSS GRAPHS‡



‡ IL and RL data is typical. Results may vary.



1.800.SAMTEC.9 • HDR@samtec.com

September 13, 2022 • Rev: A