

**DESIGNED AND DIMENSIONED IN INCHES[MILLIMETERS]
ALL DIMENSIONS REFERENCE EXCEPT AS SHOWN**

DO NOT SCALE FROM THIS PRINT

185-J-P-EP-ST-EL-01-X

SERIES
185: 1.85MM

GENDER
-J: JACK

TYPE
-P: PCB

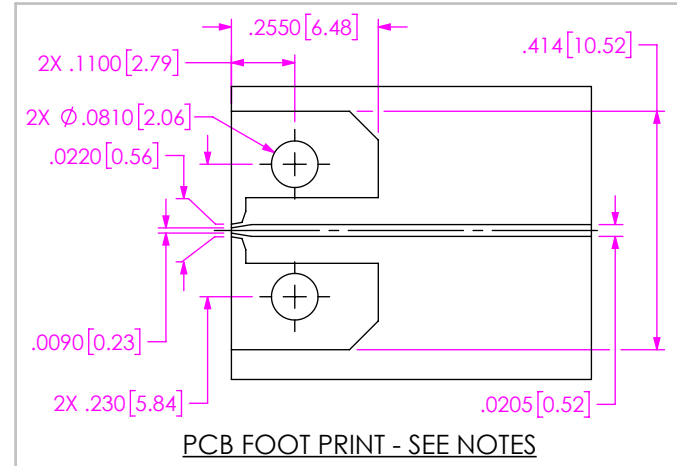
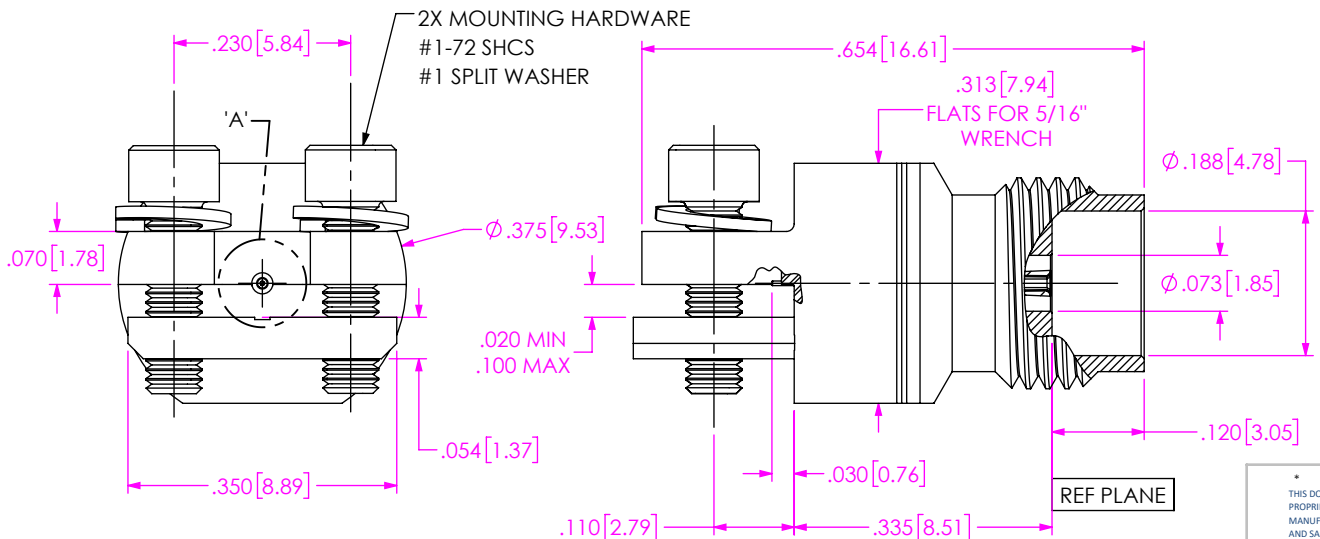
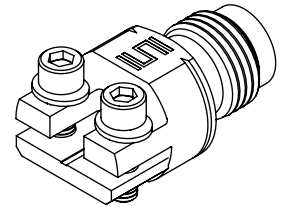
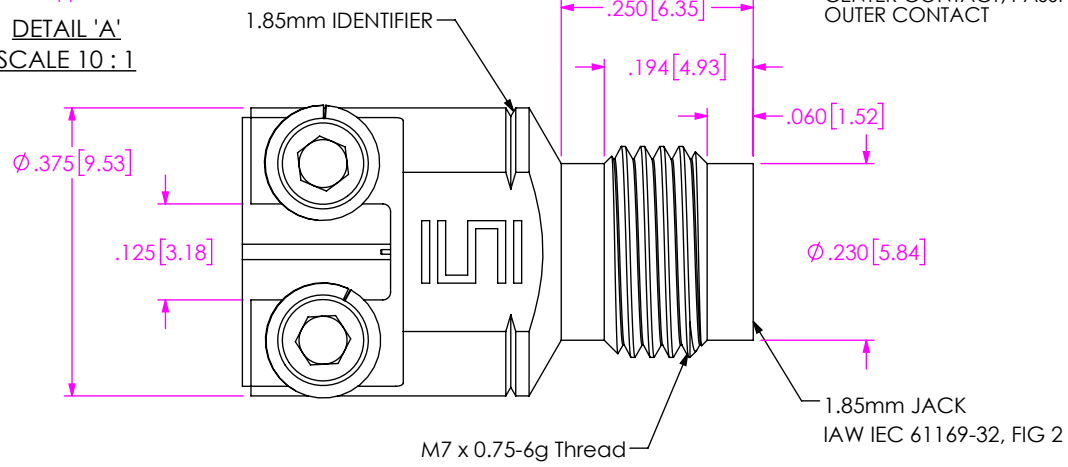
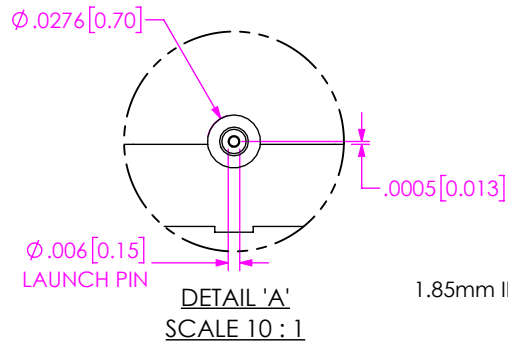
FINISH
-EP: 50µ" EXTRA HEAVY GOLD
CENTER CONTACT, PASSIVATED
OUTER CONTACT

PACKAGING
-BLANK: INDIVIDUALLY BAGGED
-B: FULL TRAY (QTY >= 100)

OPTION
-01: PCB THICKNESS 0.040" TO 0.100"

TERMINATION
-EL: EDGE LAUNCH

ORIENTATION
-ST: STRAIGHT



- NOTES:
1. RECOMMENDED TORQUE 0.5~0.8 INCH-POUNDS.
 2. THIS IS A GENERAL FOOTPRINT AND IS NOT OPTIMIZED FOR ELECTRICAL PERFORMANCE, CONTACT SIG@SAMTEC.COM FOR ASSISTANCE WITH ELECTRICAL LAYOUT.

<p>PROPRIETARY NOTE</p> <p>THIS DOCUMENT CONTAINS CONFIDENTIAL AND PROPRIETARY INFORMATION AND ALL DESIGN, MANUFACTURING, REPRODUCTION, USE, PATENT RIGHTS AND SALES RIGHTS ARE EXPRESSLY RESERVED BY SAMTEC, INC. THIS DOCUMENT SHALL NOT BE DISCLOSED, IN WHOLE OR PART, TO ANY UNAUTHORIZED PERSON OR ENTITY NOR REPRODUCED, TRANSFERRED OR INCORPORATED IN ANY OTHER PROJECT IN ANY MANNER WITHOUT THE EXPRESS WRITTEN CONSENT OF SAMTEC, INC.</p>		<p>DESCRIPTION: 1.85MM JACK EDGE LAUNCH</p>	
<p>MATERIAL: DO NOT SCALE DRAWING SHEET SCALE: 6:1 BODY, BUSHING & SCREW: STAINLESS STEEL SOCKET: BeCu COPPER ALLOY MOUNTING HARDWARE: STAINLESS STEEL</p>		<p>DWG. NO. 185-J-P-EP-ST-EL-01-X</p>	
<p>BY: ERIC O</p>		<p>5/06/2021 SHEET 1 OF 1</p>	