

**DESIGNED AND DIMENSIONED IN INCHES[MILLIMETERS]
ALL DIMENSIONS REFERENCE EXCEPT AS SHOWN**

DO NOT
SCALE FROM
THIS PRINT

240-J-P-XX-ST-EL-01-X

SERIES
240: 2.40MM

GENDER
-J: JACK

TYPE
-P: PCB

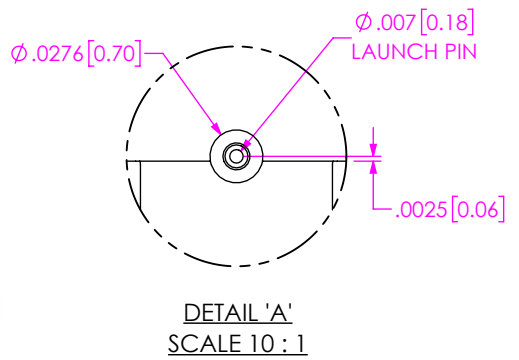
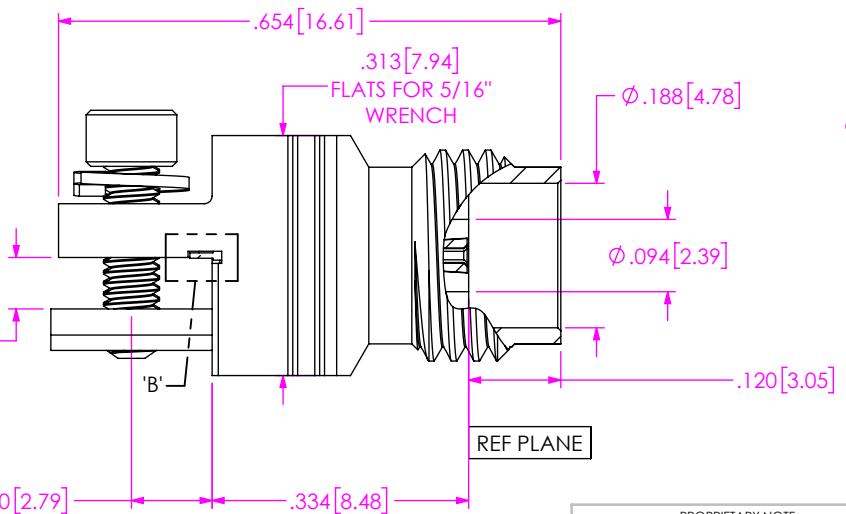
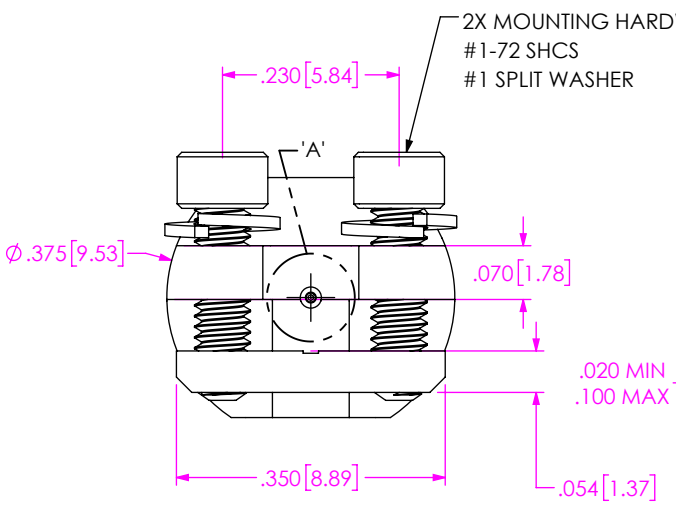
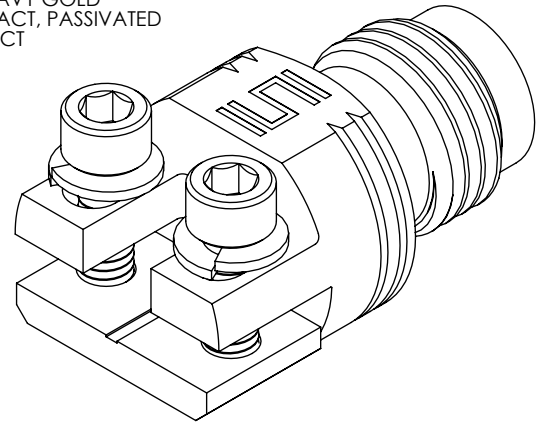
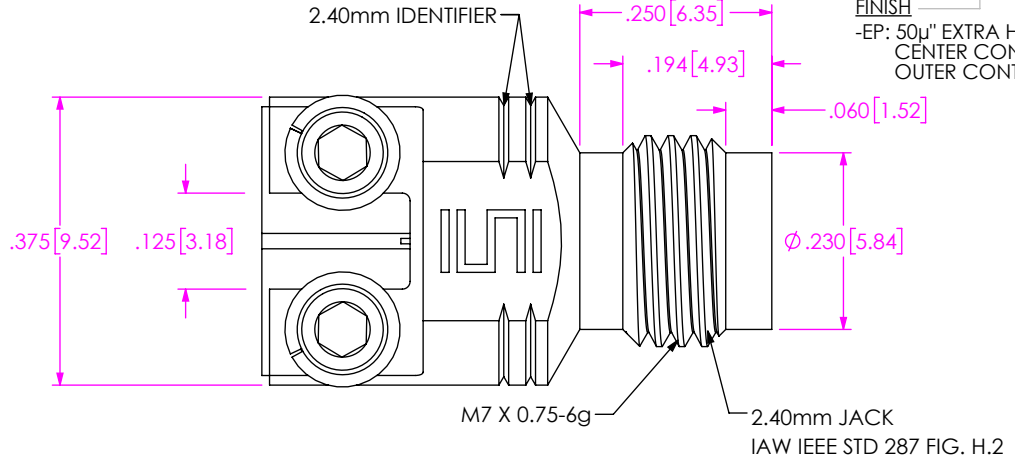
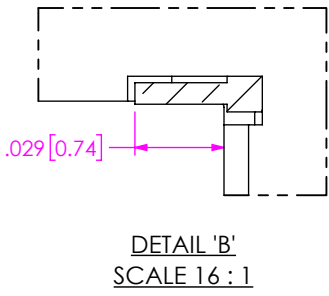
FINISH
-EP: 50µ" EXTRA HEAVY GOLD
CENTER CONTACT, PASSIVATED
OUTER CONTACT

PACKAGING
-BLANK: INDIVIDUALLY BAGGED
-B: FULL TRAY
(QTY >= 100)

OPTION
-01: PCB THICKNESS 0.040" TO 0.100"

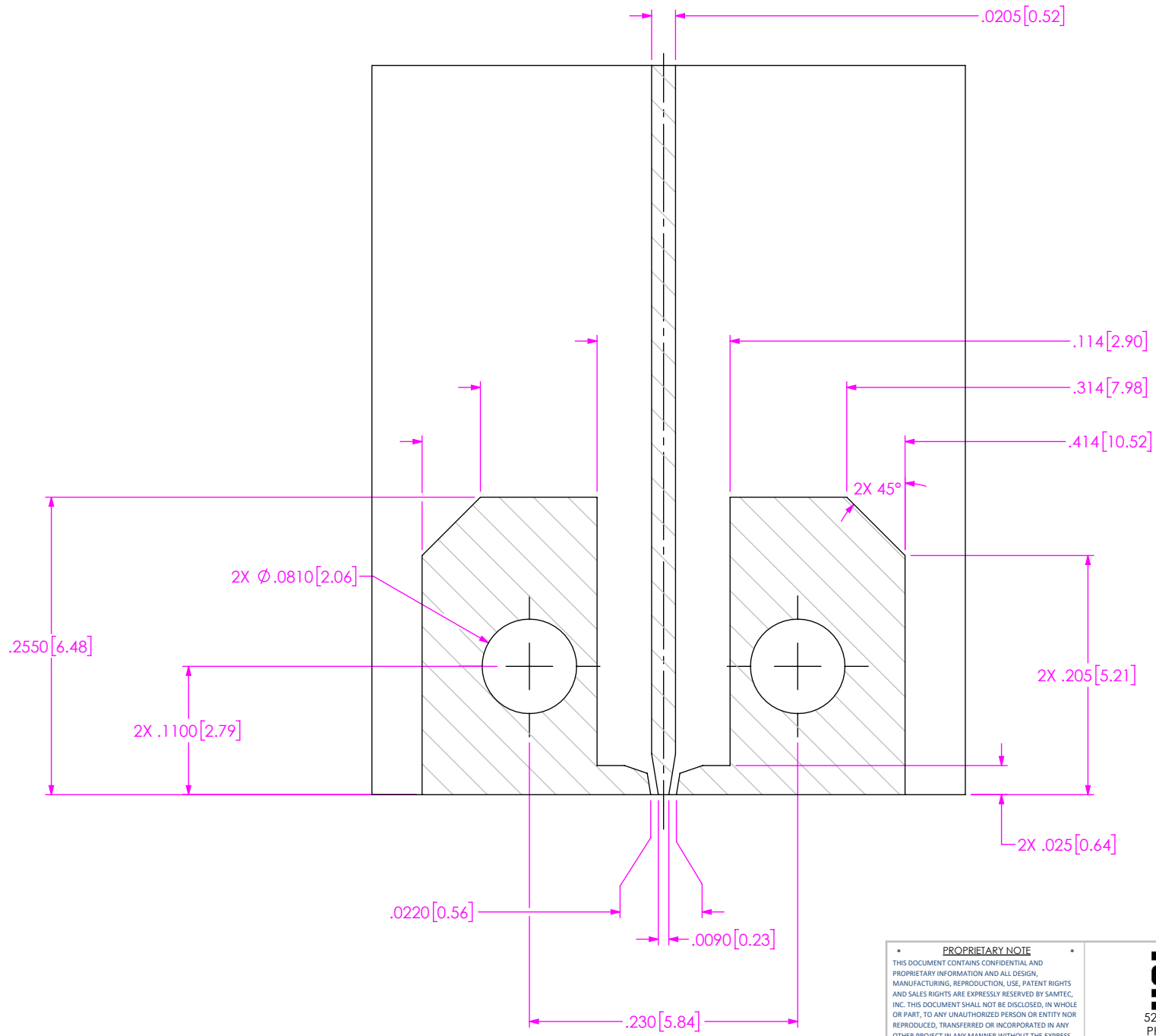
TERMINATION
-EL: EDGE LAUNCH

ORIENTATION
-ST: STRAIGHT




- NOTES:
1. RECOMMENDED TORQUE 0.5~0.8 INCH-POUNDS.
 2. THIS IS A GENERAL FOOTPRINT AND IS NOT OPTIMIZED FOR ELECTRICAL PERFORMANCE, CONTACT SIG@SAMTEC.COM FOR ASSISTANCE WITH ELECTRICAL LAYOUT.

<p>PROPRIETARY NOTE</p> <p>THIS DOCUMENT CONTAINS CONFIDENTIAL AND PROPRIETARY INFORMATION AND ALL DESIGN, MANUFACTURING, REPRODUCTION, USE, PATENT RIGHTS AND SALES RIGHTS ARE EXPRESSLY RESERVED BY SAMTEC, INC. THIS DOCUMENT SHALL NOT BE DISCLOSED, IN WHOLE OR PART, TO ANY UNAUTHORIZED PERSON OR ENTITY NOR REPRODUCED, TRANSFERRED OR INCORPORATED IN ANY OTHER PROJECT IN ANY MANNER WITHOUT THE EXPRESS WRITTEN CONSENT OF SAMTEC, INC.</p>		<p>520 PARK EAST BLVD., NEW ALBANY, IN 47150 PHONE: 812-944-6733 FAX: 812-948-5047 e-Mail: info@SAMTEC.com code: 55322</p>	
<p>MATERIAL: DO NOT SCALE DRAWING SHEET SCALE: 6:1</p> <p>BODY, BUSHING & SCREW: STAINLESS STEEL SOCKET: BeCu COPPER ALLOY</p> <p>MOUNTING HARDWARE: STAINLESS STEEL</p>		<p>DESCRIPTION: 2.40MM JACK EDGE LAUNCH</p> <p>DWG. NO. 240-J-P-XX-ST-EL-01-X</p>	
<p>BY: MATT M</p>		<p>5/16/2022 SHEET 1 OF 2</p>	



RECOMMENDED FOOTPRINT

<p>PROPRIETARY NOTE</p> <p>THIS DOCUMENT CONTAINS CONFIDENTIAL AND PROPRIETARY INFORMATION AND ALL DESIGN, MANUFACTURING, REPRODUCTION, USE, PATENT RIGHTS AND SALES RIGHTS ARE EXPRESSLY RESERVED BY SAMTEC, INC. THIS DOCUMENT SHALL NOT BE DISCLOSED, IN WHOLE OR PART, TO ANY UNAUTHORIZED PERSON OR ENTITY NOR REPRODUCED, TRANSFERRED OR INCORPORATED IN ANY OTHER PROJECT IN ANY MANNER WITHOUT THE EXPRESS WRITTEN CONSENT OF SAMTEC, INC.</p>		
	<p>520 PARK EAST BLVD, NEW ALBANY, IN 47150 PHONE: 812-944-6733 FAX: 812-948-5047 e-Mail: info@SAMTEC.com code: 55322</p>	
	<p>DO NOT SCALE DRAWING</p>	<p>DESCRIPTION: 2.40MM JACK EDGE LAUNCH</p>
<p>SHEET SCALE: 8:1</p>	<p>DWG. NO. 240-J-P-XX-ST-EL-01-X</p>	<p>BY: MATT M 5/16/2022 SHEET 2 OF 2</p>