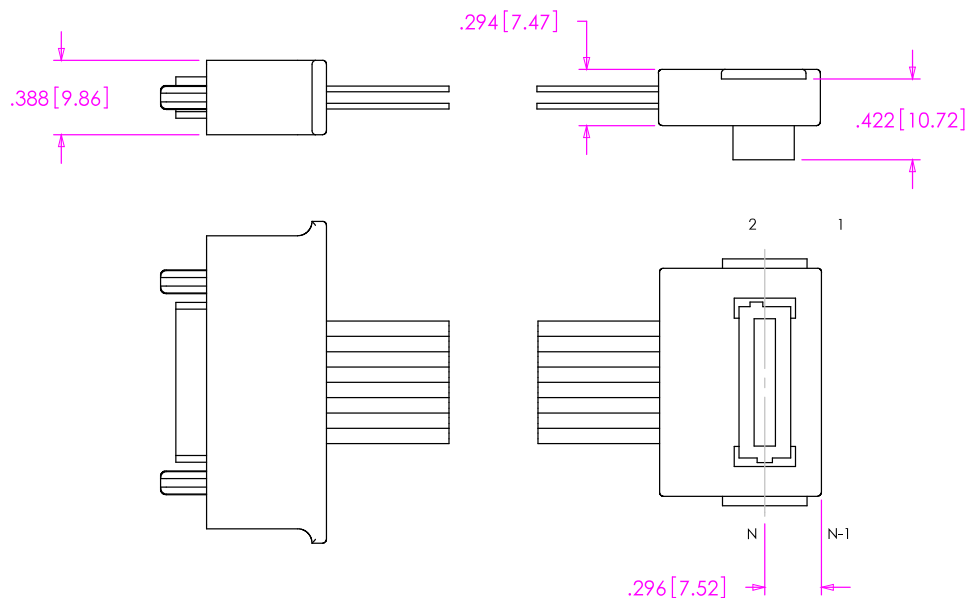
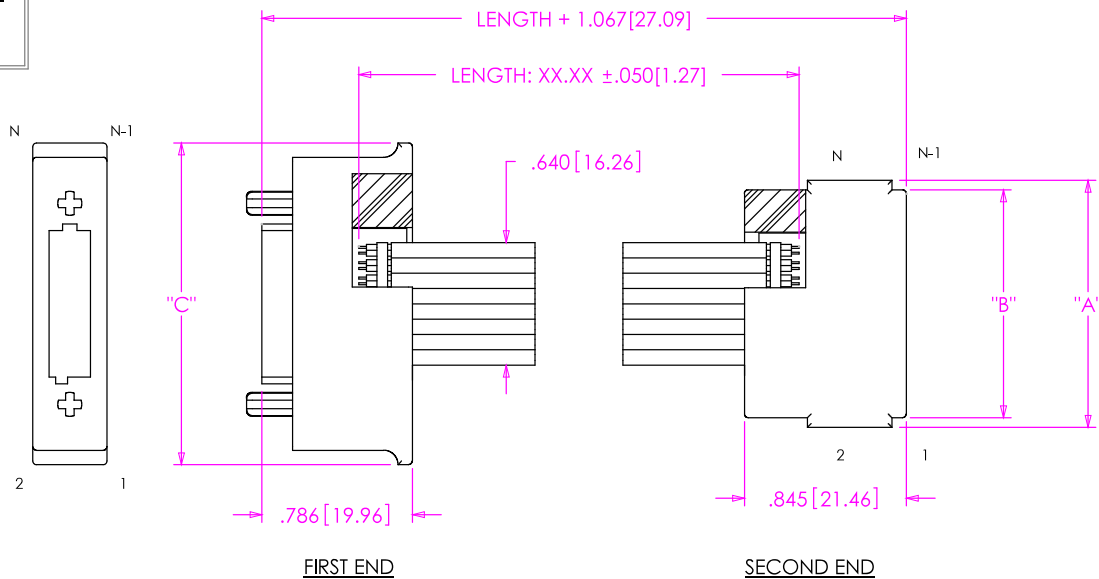
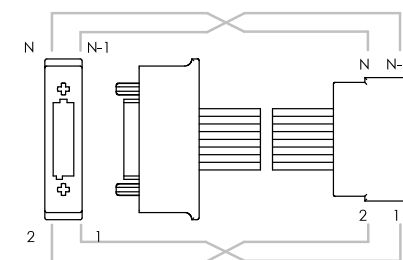


6QDP-XXX-XXXX-TED-SBL-X-X & 6QDPS-XXX-XXXX-TED-SBL-X-X

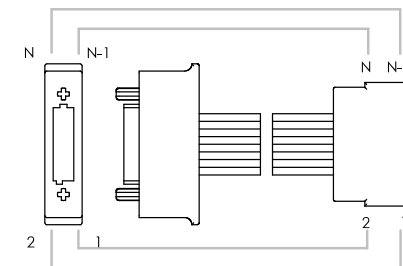
ALL DIMENSIONS REF
DO NOT SCALE
FROM THIS PRINT



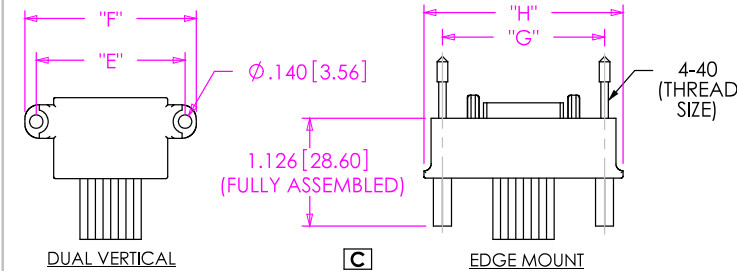
WIRING OPTION 1
POSITION 1 TO POSITION 1



WIRING OPTION 2
POSITION 1 TO POSITION 2



ONLY APPLICABLE FOR SCREW-DOWN END OPTIONS



No. OF POS	"E"	"F"	"G"	"H"
-016	1.546 [39.27]	1.790 [45.47]	1.810 [45.97]	2.181 [55.40]
-032	2.386 [60.60]	2.630 [66.80]	2.650 [67.31]	3.021 [76.73]
-048	3.226 [81.94]	3.470 [88.14]	3.490 [88.65]	3.861 [98.07]
-064	4.066 [103.28]	4.310 [109.47]	4.330 [109.98]	4.701 [119.41]

No. OF POS	"A"	"B"	"C"
-016	1.290 [32.77]	1.190 [30.23]	1.680 [42.67]
-032	2.130 [54.10]	2.030 [51.56]	2.520 [64.01]
-048	2.970 [75.44]	2.870 [72.90]	3.360 [85.34]
-064	3.810 [96.77]	3.710 [94.23]	4.200 [106.68]

PROPRIETARY NOTE
THIS DOCUMENT CONTAINS INFORMATION
CONFIDENTIAL AND PROPRIETARY TO
SAMTEC, INC. AND SHALL NOT BE REPRODUCED
OR TRANSFERRED TO OTHER DOCUMENTS OR
DISCLOSED TO OTHERS OR USED FOR ANY
PURPOSE OTHER THAN THAT WHICH IT WAS
OBTAINED WITHOUT THE EXPRESSED WRITTEN
CONSENT OF SAMTEC, INC.

SHEET SCALE: 1:1



SAMTEC

520 PARK EAST BLVD, NEW ALBANY, IN 47150
* PHONE: 812.944.6733 * FAX: 812.948.5047
e-Mail: INFO@SAMTEC.COM CODE: 55322

DESCRIPTION:
QMXX / QFXX CABLE ASSEMBLY
DWG. NO.
6QDPX-XXX-XXXX-TED-SBL-X-X
BY: BRATCHER 10/20/2004 SHEET 1 OF 1