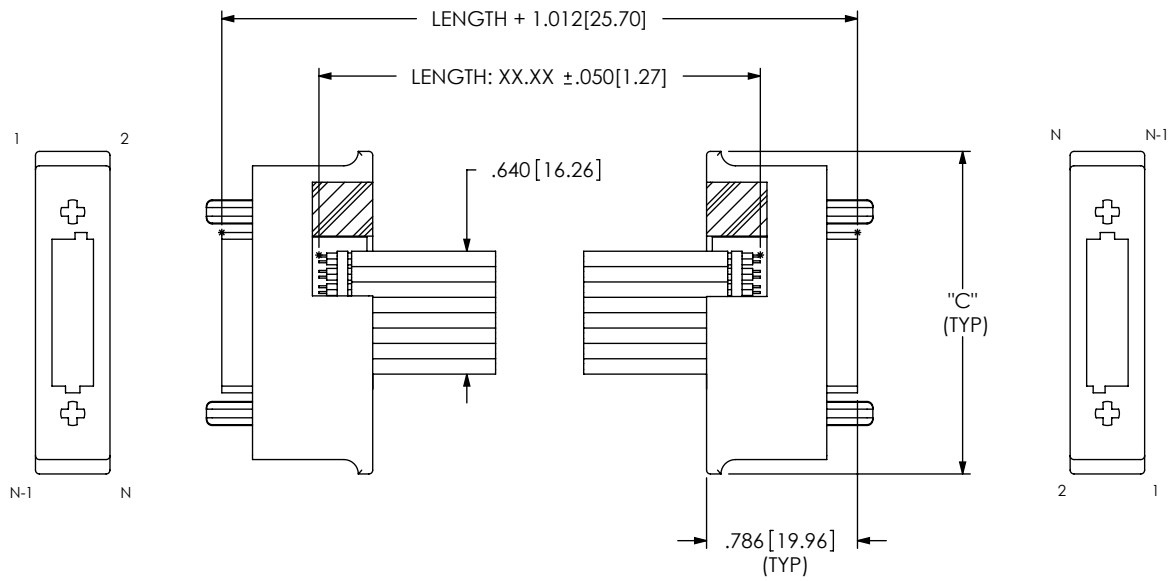


6QDP-XXX-XXXX-TEU-TEU-X-X & 6QDPS-XXX-XXXX-TEU-TEU-X-X

ALL DIMENSIONS REF
DO NOT SCALE
FROM THIS PRINT



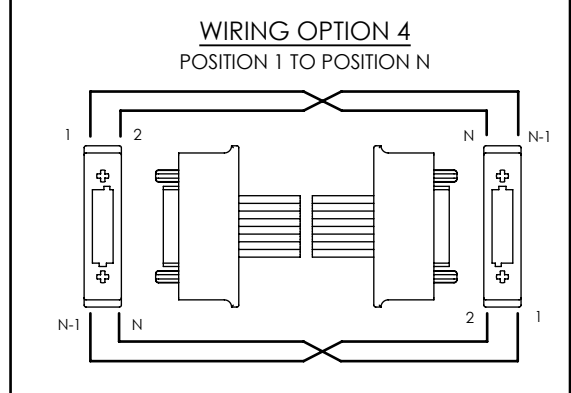
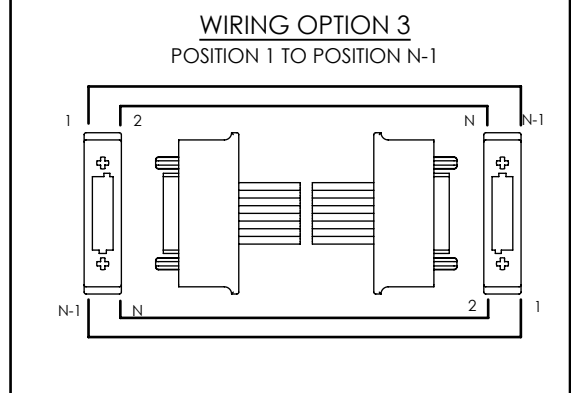
FIRST END

SECOND END

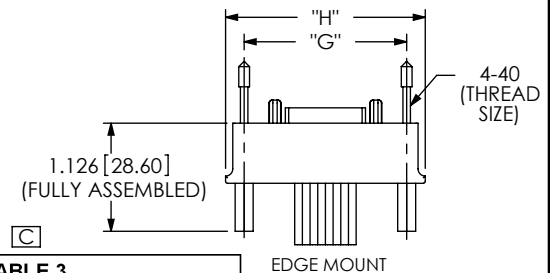


C

No. OF POS	"C"	
-016	1.790	[45.47]
-032	2.630	[66.80]
-048	3.470	[88.14]
-064	4.310	[109.47]



ONLY APPLICABLE FOR SCREW-DOWN END OPTIONS



No. OF POS	"G"		"H"	
-016	1.810	[45.97]	2.181	[55.40]
-032	2.650	[67.31]	3.021	[76.73]
-048	3.490	[88.65]	3.861	[98.07]
-064	4.330	[109.98]	4.701	[119.41]

PROPRIETARY NOTE
THIS DOCUMENT CONTAINS INFORMATION CONFIDENTIAL AND PROPRIETARY TO SAMTEC, INC. AND SHALL NOT BE REPRODUCED OR TRANSFERRED TO OTHER DOCUMENTS OR DISCLOSED TO OTHERS OR USED FOR ANY PURPOSE OTHER THAN THAT WHICH IT WAS OBTAINED WITHOUT THE EXPRESSED WRITTEN CONSENT OF SAMTEC, INC.

SAMTEC
520 PARK EAST BLVD, NEW ALBANY, IN 47150
* PHONE 812.944.6733 FAX: 812.948.5047
e-Mail: INFO@SAMTEC.COM CODE: 55322



SHEET SCALE: 1:1
DESCRIPTION:
QMXX / QMXX CABLE ASSEMBLY
DWG. NO.
6QDPX-XXX-XXXX-TEU-TEU-X-X
BY: BRATCHER 10/20/2004 SHEET 1 OF 1