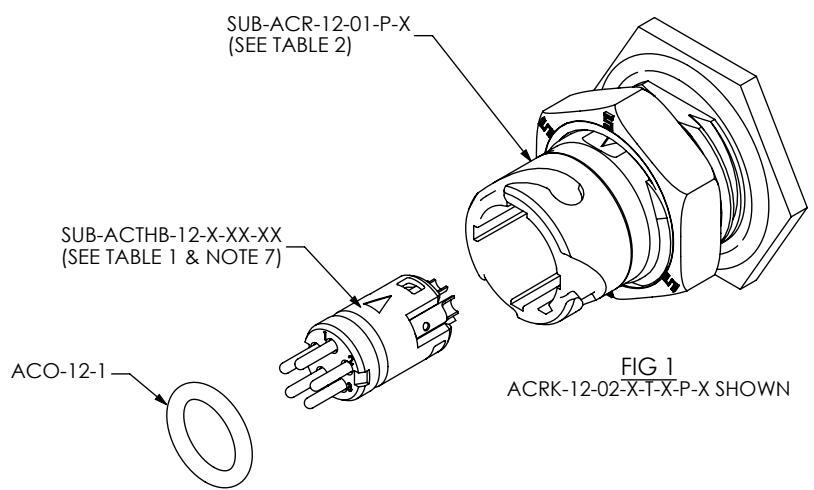


DO NOT SCALE FROM THIS PRINT

DESIGNED & DIMENSIONED IN MILLIMETERS [INCHES]

ACRK-12-XX-X-X-XX-P-X



LEAD STYLE
 -01: 4 POS (1.0 TERM/SKT), 20 - 24 AWG
 -02: 5 POS (1.0 TERM/SKT), 20 - 24 AWG
 -03: 6 POS (0.5 TERM/SKT), 26 - 30 AWG
 -04: 8 POS (0.5 TERM/SKT), 26 - 30 AWG
 -05: 6 POS COMBO (2x1.0 TERM/SKT), 20 - 24 AWG (4x0.5 TERM/SKT), 26 - 30 AWG

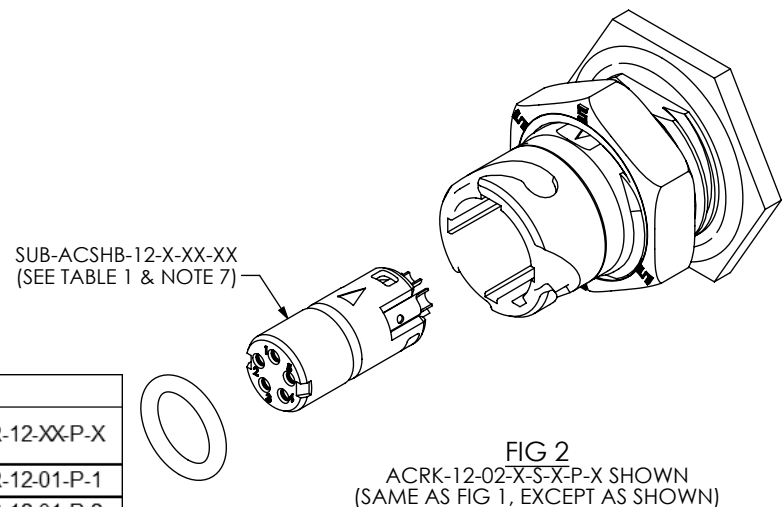
PLATING
 -G: 10µ" GOLD ON CONTACT
 -H: 30µ" GOLD ON CONTACT

KEYING FEATURE (SEE NOTE 3, SEE SHT 2)
 -1: ORANGE
 -2: GREEN
 -3: BLUE
 -4: YELLOW

STYLE
 -P: PLASTIC

TERMINATION
 -C: SOLDER CUP
 -B1: .062 BOARD MOUNT

GENDER
 -T: TERMINAL
 -S: SOCKET



KEYING FEATURE	SUB-ACR-12-XX-P-X
-1	SUB-ACR-12-01-P-1
-2	SUB-ACR-12-01-P-2
-3	SUB-ACR-12-01-P-3
-4	SUB-ACR-12-01-P-4

- NOTES:
- Ⓢ REPRESENTS A CRITICAL DIMENSION.
 - KITS TO BE PACKAGED & SHIPPED IN TRAYS, SEE SHT 4.
 - KEYING FEATURE DETERMINES COLOR OF KEY RING AND DUSTCAP LANYARD IF APPLICABLE.
 - REFER TO DCA-ACR-12-P-X PRINT FOR DUST CAP.
 - PANEL THICKNESS RANGE: 0.80[0.031] - 5.20[0.205]
 - TORQUE SPECIFICATION FOR PANEL NUT: 1.7Nm [15.00 IN-LB] - 2.3Nm [20.00 IN-LB].
 - RECOMMENDED INSERTION TOOL: CAT-AC-12-M.
 - PLACE HDRL-07 (LABEL) ON TRAY WHERE SHOWN. LABEL TO HAVE THE FOLLOWING PRINTED IN ARIAL FONT SIZE 9:
 LINE 1 - "FOR ASSEMBLY INSTRUCTIONS SEE"
 LINE 2 - "WWW.SAMTEC.COM/ACRKFCK"
 LINE 3 - PART NUMBER "ACRK-12-XX-X-X-XX-P-X"
 LINE 4 - SHOP ORDER NUMBER "XXXXXXX"

LEAD STYLES	GENDER	TERMINATION			
		-C: SOLDER CUP		-BX: BOARD MOUNT	
		PLATING		PLATING	
		-G	-H	-G	-H
-01	-T	SUB-ACTHB-12-G-01	SUB-ACTHB-12-H-01	SUB-ACTHB-12-G-01-BX	SUB-ACTHB-12-H-01-BX
-02	-T	SUB-ACTHB-12-G-02	SUB-ACTHB-12-H-02	SUB-ACTHB-12-G-02-BX	SUB-ACTHB-12-H-02-BX
-03	-T	SUB-ACTHB-12-G-03	SUB-ACTHB-12-H-03	SUB-ACTHB-12-G-03-BX	SUB-ACTHB-12-H-03-BX
-04	-T	SUB-ACTHB-12-G-04	SUB-ACTHB-12-H-04	SUB-ACTHB-12-G-04-BX	SUB-ACTHB-12-H-04-BX
-05	-T	SUB-ACTHB-12-G-05	SUB-ACTHB-12-H-05	SUB-ACTHB-12-G-05-BX	SUB-ACTHB-12-H-05-BX
-01	-S	SUB-ACSHB-12-G-01	SUB-ACSHB-12-H-01	SUB-ACSHB-12-G-01-BX	SUB-ACSHB-12-H-01-BX
-02	-S	SUB-ACSHB-12-G-02	SUB-ACSHB-12-H-02	SUB-ACSHB-12-G-02-BX	SUB-ACSHB-12-H-02-BX
-03	-S	SUB-ACSHB-12-G-03	SUB-ACSHB-12-H-03	SUB-ACSHB-12-G-03-BX	SUB-ACSHB-12-H-03-BX
-04	-S	SUB-ACSHB-12-G-04	SUB-ACSHB-12-H-04	SUB-ACSHB-12-G-04-BX	SUB-ACSHB-12-H-04-BX
-05	-S	SUB-ACSHB-12-G-05	SUB-ACSHB-12-H-05	SUB-ACSHB-12-G-05-BX	SUB-ACSHB-12-H-05-BX

UNLESS OTHERWISE SPECIFIED, DIMENSIONS ARE IN MILLIMETERS. TOLERANCES ARE:
 DECIMALS ANGLES
 X.X: ±0.3 [.01] 2°
 X.XX: ±0.13 [.005]
 X.XXX: ±0.051 [.0020]

MATERIAL: DO NOT SCALE DRAWING SHELL/NUT: NYLON, COLOR: BLACK INSULATOR: PBT, COLOR: BLACK O-RING: NITRILE COLOR RING: SILICONE TERMINALS: BRASS CONTACTS: BRASS/BeCu

F:\DWG\MISC\MKTG\ACRK-12-XX-X-X-XX-P-X-MKT.SLDDRW

PROPRIETARY NOTE
 THIS DOCUMENT CONTAINS INFORMATION CONFIDENTIAL AND PROPRIETARY TO SAMTEC, INC. AND SHALL NOT BE REPRODUCED OR TRANSFERRED TO OTHER DOCUMENTS OR DISCLOSED TO OTHERS OR USED FOR ANY PURPOSE OTHER THAN THAT WHICH IT WAS OBTAINED WITHOUT THE EXPRESSED WRITTEN CONSENT OF SAMTEC, INC.

DESCRIPTION:
 ACCLIMATE CIRC. FIELD TERM. KIT

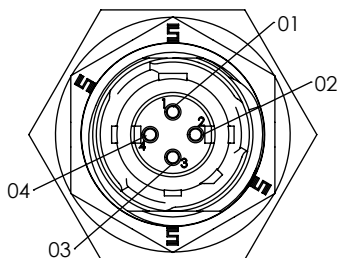
DWG. NO.
 ACRK-12-XX-X-X-XX-P-X

BY: D.SCHMELZ 1/18/2011 **SHEET 1 OF 4**

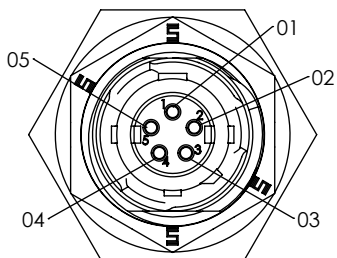
520 PARK EAST BLVD, NEW ALBANY, IN 47150
 PHONE: 812-944-6733 FAX: 812-948-5047
 e-Mail info@SAMTEC.com code 53322

-T END OPTIONS

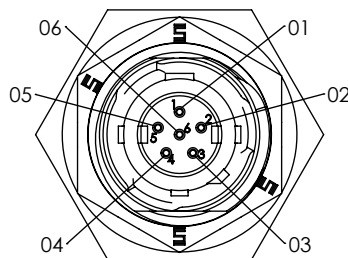
-01: 4 POS
Ø 1.0 TERMINALS



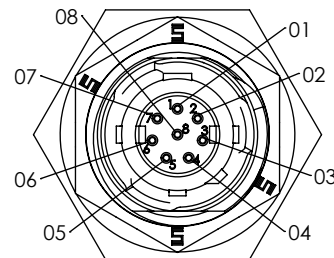
-02: 5 POS
Ø 1.0 TERMINALS



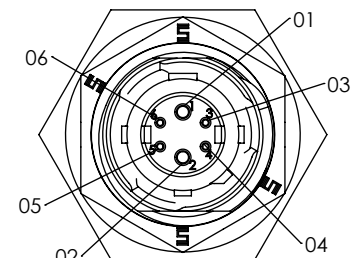
-03: 6 POS
Ø 0.5 TERMINALS



-04: 8 POS
Ø 0.5 TERMINALS

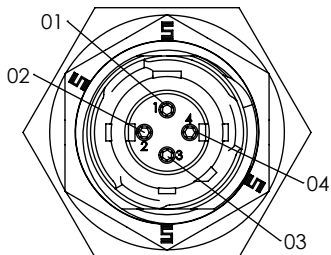


-05: 6 POS COMBO
2x Ø 1.0 TERMINALS
4x Ø 0.5 TERMINALS

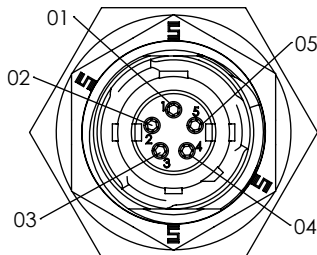


-S END OPTIONS

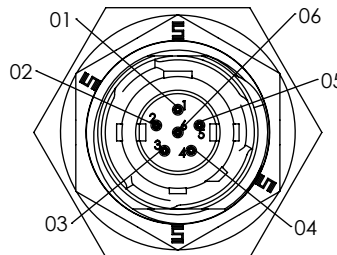
-01: 4 POS
Ø 1.0 SOCKETS



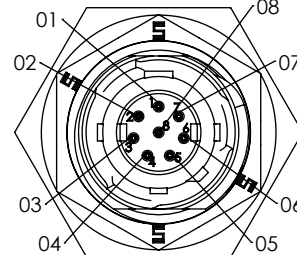
-02: 5 POS
Ø 1.0 SOCKETS



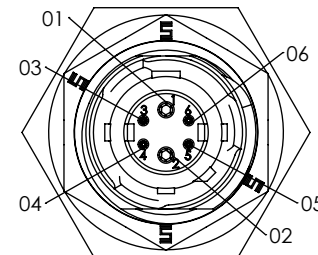
-03: 6 POS
Ø 0.5 SOCKETS



-04: 8 POS
Ø 0.5 SOCKETS

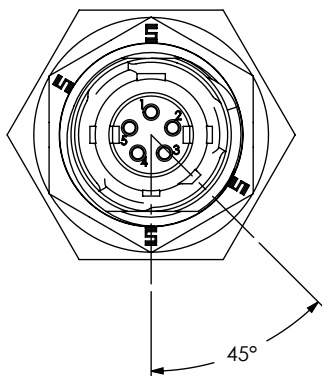


-05: 6 POS COMBO
2x Ø 1.0 SOCKETS
4x Ø 0.5 SOCKETS

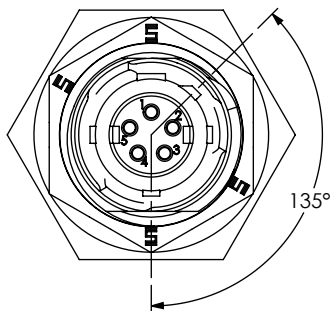


KEYING OPTIONS
(SEE NOTE 3)

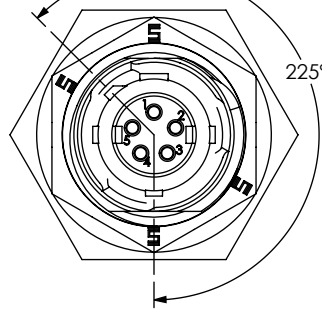
-1
ORANGE KEY RING



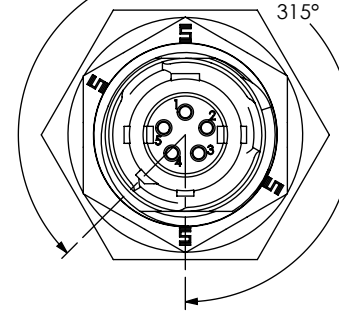
-2
GREEN KEY RING



-3
BLUE KEY RING



-4
YELLOW KEY RING



PROPRIETARY NOTE

THIS DOCUMENT CONTAINS INFORMATION CONFIDENTIAL AND PROPRIETARY TO SAMTEC, INC. AND SHALL NOT BE REPRODUCED OR TRANSFERRED TO OTHER DOCUMENTS OR DISCLOSED TO OTHERS OR USED FOR ANY PURPOSE OTHER THAN THAT WHICH IT WAS OBTAINED WITHOUT THE EXPRESSED WRITTEN CONSENT OF SAMTEC, INC.

DO NOT SCALE DRAWING

SHEET SCALE: 3:2



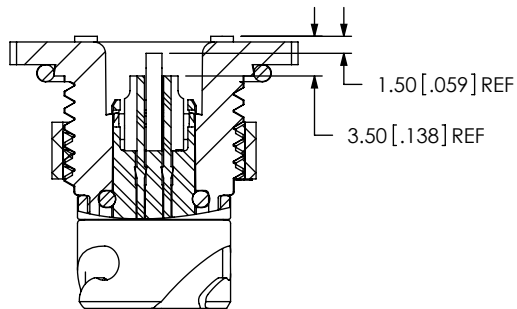
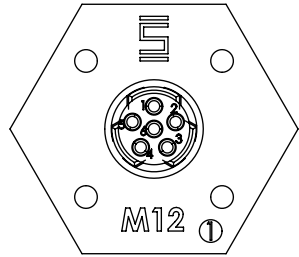
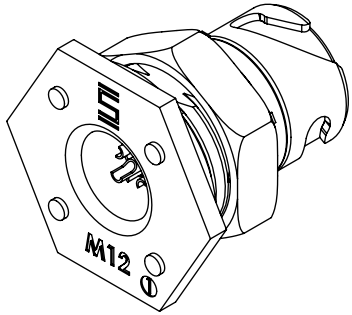
520 PARK EAST BLVD, NEW ALBANY, IN 47150
PHONE: 812-944-6733 FAX: 812-948-5047
e-Mail info@SAMTEC.com code 55322

DESCRIPTION: ACCLIMATE CIRC. FIELD TERM. KIT

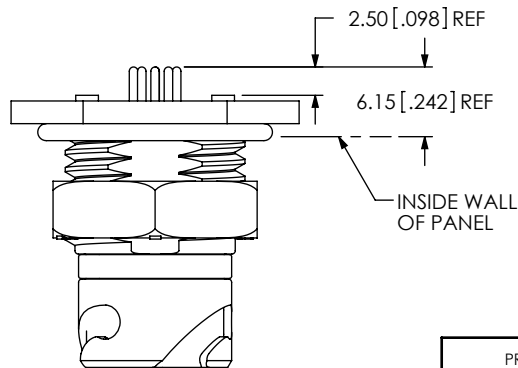
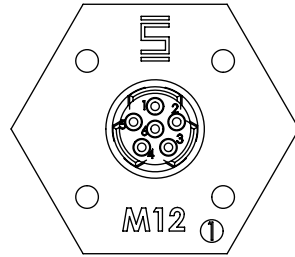
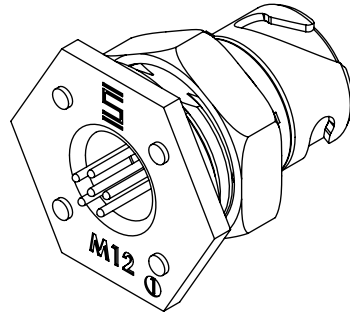
DWG. NO. ACRK-12-XX-X-X-XX-P-X

BY: D.SHMELZ 1/18/2011 SHEET 2 OF 4

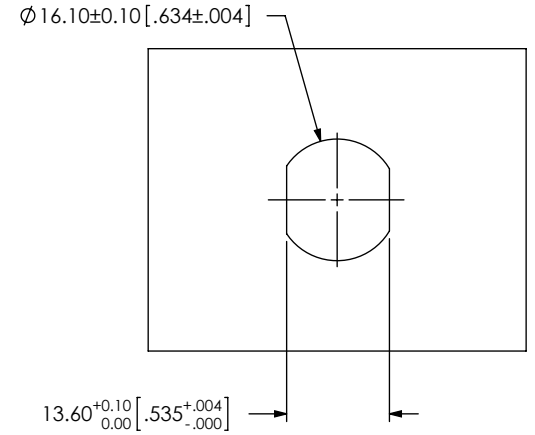
-C: SOLDER CUP
ACRK-12-03-X-S-C-P-T SHOWN



-B1: BOARD MOUNT
ACRK-12-03-X-S-B1-P-T SHOWN



RECOMMENDED PANEL OPENING
(SEE NOTE 5)



PROPRIETARY NOTE
THIS DOCUMENT CONTAINS INFORMATION CONFIDENTIAL AND PROPRIETARY TO SAMTEC, INC. AND SHALL NOT BE REPRODUCED OR TRANSFERRED TO OTHER DOCUMENTS OR DISCLOSED TO OTHERS OR USED FOR ANY PURPOSE OTHER THAN THAT WHICH IT WAS OBTAINED WITHOUT THE EXPRESSED WRITTEN CONSENT OF SAMTEC, INC.

DO NOT SCALE DRAWING

SHEET SCALE: 3:2

samtec

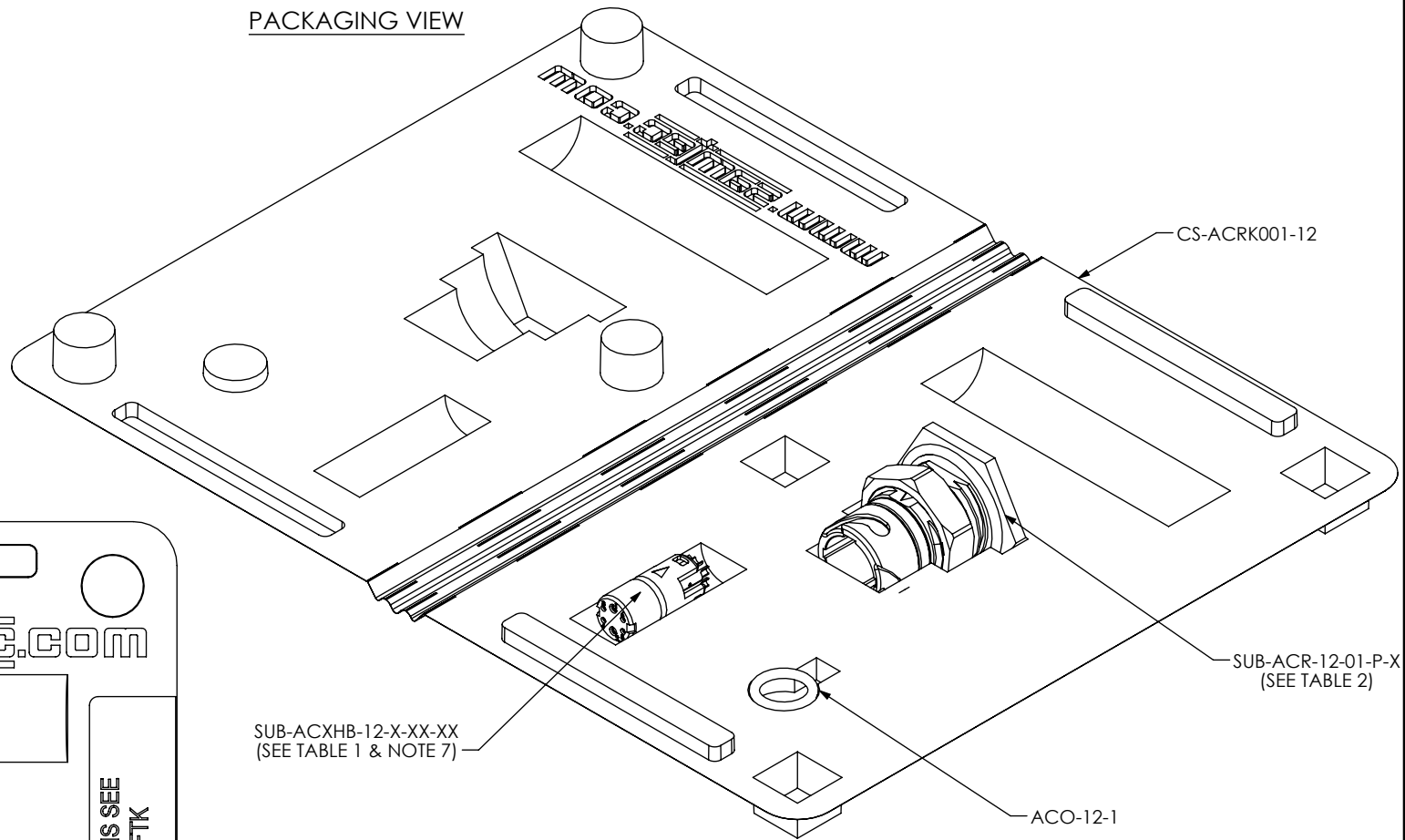
520 PARK EAST BLVD, NEW ALBANY, IN 47150
PHONE: 812-944-6733 FAX: 812-948-5047
e-Mail info@SAMTEC.com code 55322

DESCRIPTION: ACCLIMATE CIRC. FIELD TERM. KIT

DWG. NO. ACRK-12-XX-X-X-XX-P-X

BY: D.SCHMELZ 1/18/2011 SHEET 3 OF 4

PACKAGING VIEW



www.samtec.com

FOR ASSEMBLY INSTRUCTIONS SEE
WWW.SAMTEC.COM/ACRKFTK

HDRL-07 (SEE NOTE 8)
(LINE 3 & 4 NOT SHOWN DUE TO LABEL
WRAPPING AROUND THE CLAM SHELL)

25.40 [1.000] REF

PROPRIETARY NOTE
THIS DOCUMENT CONTAINS INFORMATION
CONFIDENTIAL AND PROPRIETARY TO
SAMTEC, INC. AND SHALL NOT BE REPRODUCED
OR TRANSFERRED TO OTHER DOCUMENTS OR
DISCLOSED TO OTHERS OR USED FOR ANY
PURPOSE OTHER THAN THAT WHICH IT WAS
OBTAINED WITHOUT THE EXPRESSED WRITTEN
CONSENT OF SAMTEC, INC.

DO NOT SCALE DRAWING

SHEET SCALE: 1:1

samtec

520 PARK EAST BLVD, NEW ALBANY, IN 47150
PHONE: 812-944-6733 FAX: 812-948-5047
e-Mail: info@SAMTEC.com code 55322

DESCRIPTION: ACCLIMATE CIRC. FIELD TERM. KIT

DWG. NO. ACRK-12-XX-X-X-XX-P-X

BY: D.SCHMELZ 1/18/2011 SHEET 4 OF 4